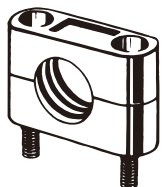
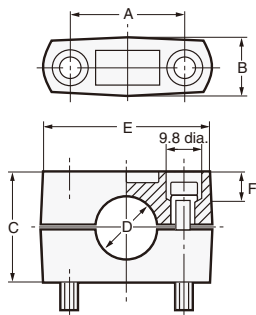


## Mounting Brackets

Special resin mounting sleeves: Four different models available.  
Simply select the size that fits the outside diameter of the Sensor.



Material: Polyacetal



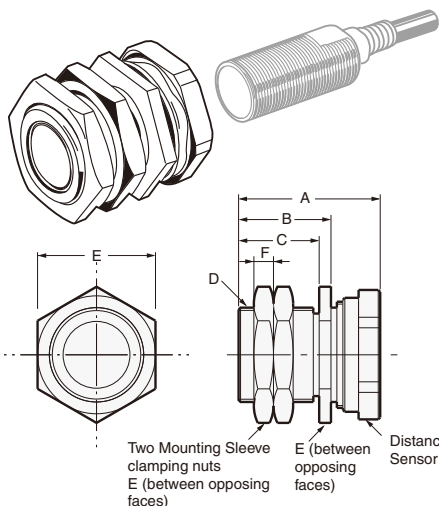
### Mounting Bracket Dimensions

Item Model	Dimension (mm)						Applied hexagonal bolts	Applicable Sensor diameter
	A	B	C	D	E	F		
Y92E-B8	18±0.2	10 max.	18	8 dia.	28 max.	6	M4 × 20	M8
Y92E-B12	24±0.2	12.5 max.	20	12 dia.	37 max.	6	M4 × 25	M12
Y92E-B18	32±0.2	17 max.	30	18 dia.	47 max.	7	M5 × 32	M18
Y92E-B30	45±0.2	17 max.	50	30 dia.	60 max.	10	M5 × 50	M30

Note: Consider the influence of surrounding metal when mounting non-shielded Sensors. (Refer to information on individual Sensors for dimensions.)

## Mounting Sleeves (Quick Mounting)

Once the Mounting Sleeve and Sensor have been set properly, readjustment is not required when replacing the Sensor.



Two Mounting Sleeve clamping nuts  
E (between opposing faces)  
E (between opposing faces)  
Distance across Sensor lock nut: E

### Mounting Sleeve Dimensions

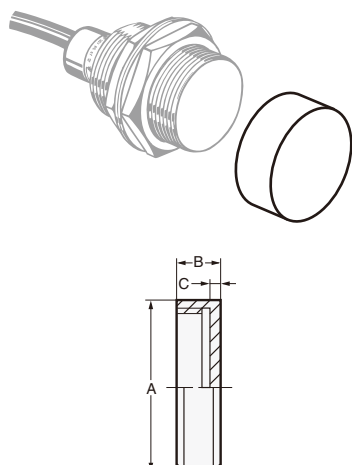
Item Model	Dimension (mm)						Applicable Sensors
	A	B	C	D	E (between opposing faces)	F	
Y92E-G8	Approx. 28	18.5	15.5	M12 × 1	17	4	E2E/E2E2 M8 Shielded Sensors
Y92E-G12	Approx. 29	20.5	17.5	M18 × 1	24	4	E2E/E2E2 M12 Shielded Sensors
Y92E-G18	Approx. 35	23.5	20.5	M24 × 1.5	30	5	E2E/E2E2 M18 Shielded Sensors
Y92E-G30	Approx. 39	27.5	24.5	M36 × 1.5	41	5	E2E/E2E2 M30 Shielded Sensors

Note: Do not tighten the nut with excessive force. Do not exceed the torque in the following table.

Item Model	Mounting Sleeve clamping nuts	Sensor lock nut
Y92E-G8	18 N·m	6 N·m
Y92E-G12	40 N·m	15 N·m
Y92E-G18	70 N·m	15 N·m
Y92E-G30	100 N·m	30 N·m

## Protective Covers

Covers are available to protect the Sensing Head.  
Simply select the size that fits the outside diameter of the Sensor.

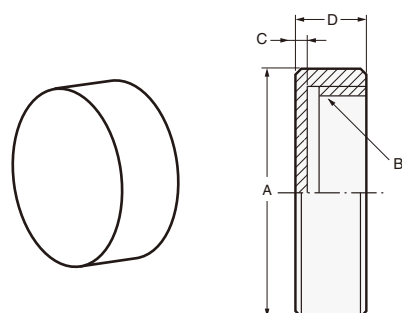


### Protective Cover Dimensions

Item Model	Dimension (mm)			Cover inner diameter (threaded)	Material	Applicable Sensor diameter
	A	B	C			
Y92E-E12	14 dia.	5	$0.5^{+0.2}_{-0.1}$	M12 × 1	Polyacetal resin	M12 Shielded Models
Y92E-E18	21 dia.	6	$1 \pm 0.2$	M18 × 1		M18 Shielded Models
Y92E-E30	33 dia.	8	$1.5 \pm 0.2$	M30 × 1.5		M30 Shielded Models
Y92E-E12M	14 dia.	12	$0.5^{+0.2}_{-0.1}$	M12 × 1		M12 Unshielded Models
Y92E-E18M	21 dia.	16	$1 \pm 0.2$	M18 × 1		M18 Unshielded Models
Y92E-E30M	33 dia.	21	$1.5 \pm 0.2$	M30 × 1.5		M30 Unshielded Models

## Sputter Protective Covers (Threaded on Inside of Cover)

The cover uses Fluororesin, so that chips that adhere due to sputtering can be easily removed.



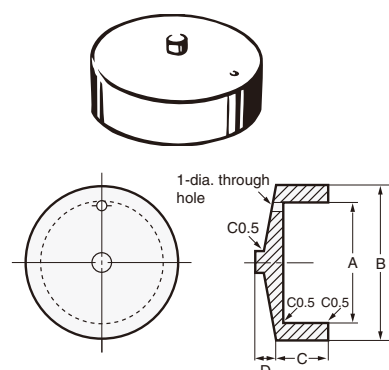
### Sputter Protective Cover Dimensions

Item Model	Dimension (mm)				Applicable Sensor diameter
	A	B	C	D	
Y92E-E8-7	10 dia.	M8 × 1	$0.5^{+0.2}_{-0.1}$	5	M8 Shielded Models
Y92E-E12-7	14 dia.	M12 × 1	$0.5^{+0.2}_{-0.1}$	5	M12 Shielded Models
Y92E-E18-7	21 dia.	M18 × 1	$1 \pm 0.2$	6	M18 Shielded Models
Y92E-E30-7	33 dia.	M30 × 1.5	$1.5 \pm 0.2$	8	M30 Shielded Models

Note: Do not screw on too tightly, or the cap may be damaged.

## Sputter Protective Covers (Not Threaded on Inside of Cover)

Chips that adhere due to sputtering can be easily removed.



### Sputter Protective Cover Dimensions

Item Model	Dimension (mm)				Material	Applicable Sensor diameter
	A	B	C	D		
Y92E-E12-2	11.0 dia.	14.0 dia.	5.0	1.0	Silicon rubber	M12 Shielded Models
Y92E-E18-2	17.0 dia.	21 dia.	7.0	3.0		M18 Shielded Models
Y92E-E30-2	28.5 dia.	33.0 dia.	8.0	6.0		M30 Shielded Models

## Read and Understand This Catalog

Please read and understand this catalog before purchasing the products. Please consult your OMRON representative if you have any questions or comments.

## Warranty and Limitations of Liability

### WARRANTY

OMRON's exclusive warranty is that the products are free from defects in materials and workmanship for a period of one year (or other period if specified) from date of sale by OMRON.

OMRON MAKES NO WARRANTY OR REPRESENTATION, EXPRESS OR IMPLIED, REGARDING NON-INFRINGEMENT, MERCHANTABILITY, OR FITNESS FOR PARTICULAR PURPOSE OF THE PRODUCTS. ANY BUYER OR USER ACKNOWLEDGES THAT THE BUYER OR USER ALONE HAS DETERMINED THAT THE PRODUCTS WILL SUITABLY MEET THE REQUIREMENTS OF THEIR INTENDED USE. OMRON DISCLAIMS ALL OTHER WARRANTIES, EXPRESS OR IMPLIED.

### LIMITATIONS OF LIABILITY

OMRON SHALL NOT BE RESPONSIBLE FOR SPECIAL, INDIRECT, OR CONSEQUENTIAL DAMAGES, LOSS OF PROFITS, OR COMMERCIAL LOSS IN ANY WAY CONNECTED WITH THE PRODUCTS, WHETHER SUCH CLAIM IS BASED ON CONTRACT, WARRANTY, NEGLIGENCE, OR STRICT LIABILITY.

In no event shall responsibility of OMRON for any act exceed the individual price of the product on which liability is asserted.

IN NO EVENT SHALL OMRON BE RESPONSIBLE FOR WARRANTY, REPAIR, OR OTHER CLAIMS REGARDING THE PRODUCTS UNLESS OMRON'S ANALYSIS CONFIRMS THAT THE PRODUCTS WERE PROPERLY HANDLED, STORED, INSTALLED, AND MAINTAINED AND NOT SUBJECT TO CONTAMINATION, ABUSE, MISUSE, OR INAPPROPRIATE MODIFICATION OR REPAIR.

## Application Considerations

### SUITABILITY FOR USE

OMRON shall not be responsible for conformity with any standards, codes, or regulations that apply to the combination of products in the customer's application or use of the product.

At the customer's request, OMRON will provide applicable third party certification documents identifying ratings and limitations of use that apply to the products. This information by itself is not sufficient for a complete determination of the suitability of the products in combination with the end product, machine, system, or other application or use.

The following are some examples of applications for which particular attention must be given. This is not intended to be an exhaustive list of all possible uses of the products, nor is it intended to imply that the uses listed may be suitable for the products:

- Outdoor use, uses involving potential chemical contamination or electrical interference, or conditions or uses not described in this catalog.
- Nuclear energy control systems, combustion systems, railroad systems, aviation systems, medical equipment, amusement machines, vehicles, safety equipment, and installations subject to separate industry or government regulations.
- Systems, machines, and equipment that could present a risk to life or property.

Please know and observe all prohibitions of use applicable to the products.

NEVER USE THE PRODUCTS FOR AN APPLICATION INVOLVING SERIOUS RISK TO LIFE OR PROPERTY WITHOUT ENSURING THAT THE SYSTEM AS A WHOLE HAS BEEN DESIGNED TO ADDRESS THE RISKS, AND THAT THE OMRON PRODUCT IS PROPERLY RATED AND INSTALLED FOR THE INTENDED USE WITHIN THE OVERALL EQUIPMENT OR SYSTEM.

## Disclaimers

### CHANGE IN SPECIFICATIONS

Product specifications and accessories may be changed at any time based on improvements and other reasons.

It is our practice to change model numbers when published ratings or features are changed, or when significant construction changes are made. However, some specifications of the product may be changed without any notice. When in doubt, special model numbers may be assigned to fix or establish key specifications for your application on your request. Please consult with your OMRON representative at any time to confirm actual specifications of purchased product.

### DIMENSIONS AND WEIGHTS

Dimensions and weights are nominal and are not to be used for manufacturing purposes, even when tolerances are shown.

### ERRORS AND OMISSIONS

The information in this catalog has been carefully checked and is believed to be accurate; however, no responsibility is assumed for clerical, typographical, or proofreading errors, or omissions.

### PERFORMANCE DATA

Performance data given in this catalog is provided as a guide for the user in determining suitability and does not constitute a warranty. It may represent the result of OMRON's test conditions, and the users must correlate it to actual application requirements. Actual performance is subject to the OMRON Warranty and Limitations of Liability.

### PROGRAMMABLE PRODUCTS

OMRON shall not be responsible for the user's programming of a programmable product, or any consequence thereof.

### COPYRIGHT AND COPY PERMISSION

This catalog shall not be copied for sales or promotions without permission.

This catalog is protected by copyright and is intended solely for use in conjunction with the product. Please notify us before copying or reproducing this catalog in any manner, for any other purpose. If copying or transmitting this catalog to another, please copy or transmit it in its entirety.