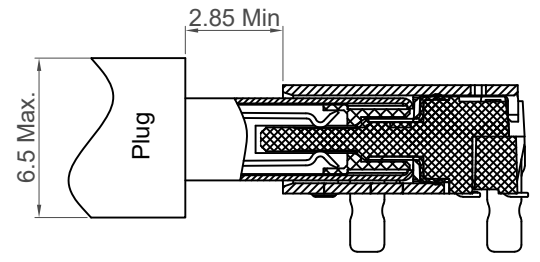
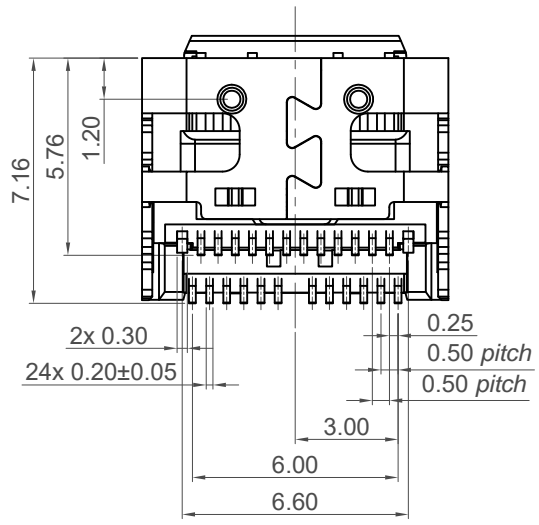
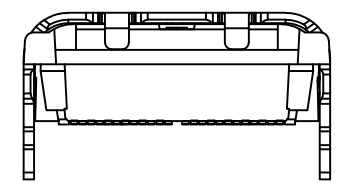
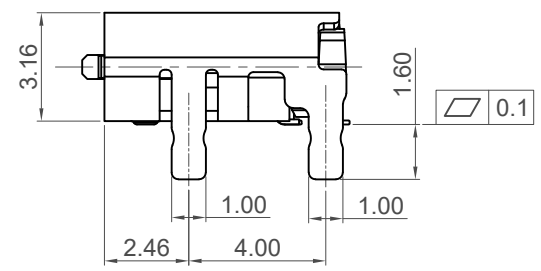
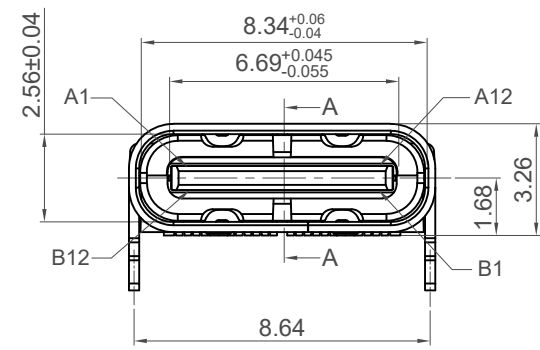


Section:A-A



Plug and Receptacle Mating View

Specifications

Material

- Insulator: LCP, UL 94V-0, Black
- Contact: Copper Alloy, T=0.12mm
- Mid Plate: Stainless Steel, T=0.15mm
- EMI Plate: Stainless Steel, T=0.10mm
- Shell: Stainless Steel, T=0.30mm

Plating

Contact

- Contact Area: 3µ" Au over 50µ" min. Nickel
- Solder Tails: Gold Flash over 50µ" min. Nickel

Shell: 30µ" min. Nickel

Mid Plate:

- Underplating: 50µ" min. Nickel All Over
- Solder Tails: 80µ" Matte Tin

EMI Plate: Clear

Electrical

- Current Rating: 5.00A collectively for Vbus pins
- 6.25A collectively for GND pins
- 1.25A for B5 pin
- 0.25A per pin for all other pins

Voltage Rating: 48V DC

Power Rating: 240W

- Contact Resistance: 40mΩ max initial.
- 50mΩ max after test

- Dielectric Withstanding Voltage: 100V AC
- Insulation Resistance 100MΩ min

Mechanical & Environmental

- Operating Temperature: -25°C to +85°C
- Mating Force: 5 to 20 N.
- Unmated Force: 6 to 20 N after test
- Durability: 10,000 cycles

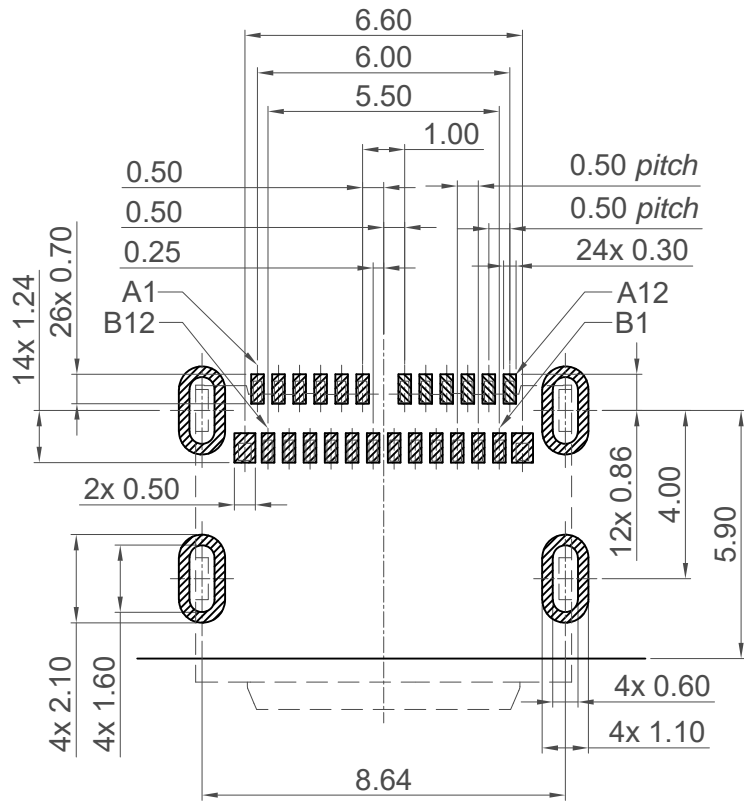
Ordering Grid

**USB4081** - **03** - **A** Request Samples and Quotation

Contact Plating  
03 = 3µ" Gold

Packing Options  
A = Tape & Reel  
(800pcs/Reel)

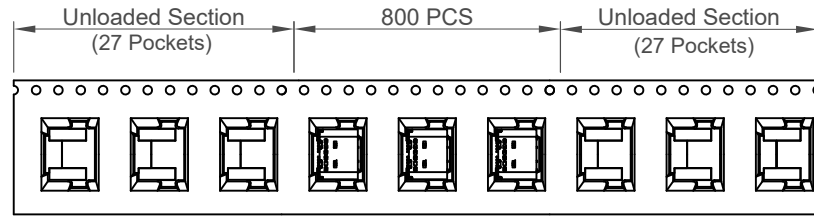
Part Number		Product Description				This drawing is confidential and copyright of Global Connector Technology, Ltd (GCT). This drawing must not be copied or disclosed without written consent. E & OE		www.gct.co
USB4081		USB3.2 Gen 2 Type C Receptacle, Dual Row SMT, Horizontal, PCB Top Mount						
Drawing Date		21st December 2022						
By	CC	Tolerances (Except as Noted)	Units:					
Detail	Drawing Release	Length	Metric (mm)					
Revision	A	X.X ± 0.30						
Date	21/12/22	X.XX ± 0.25						
		X.XXX ± 0.10						



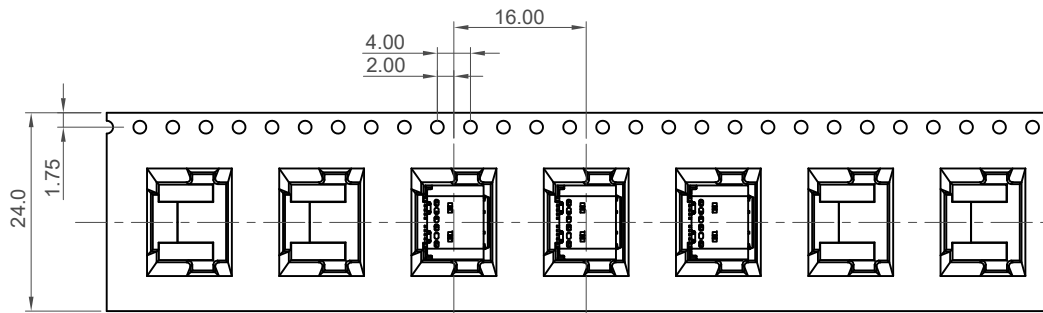
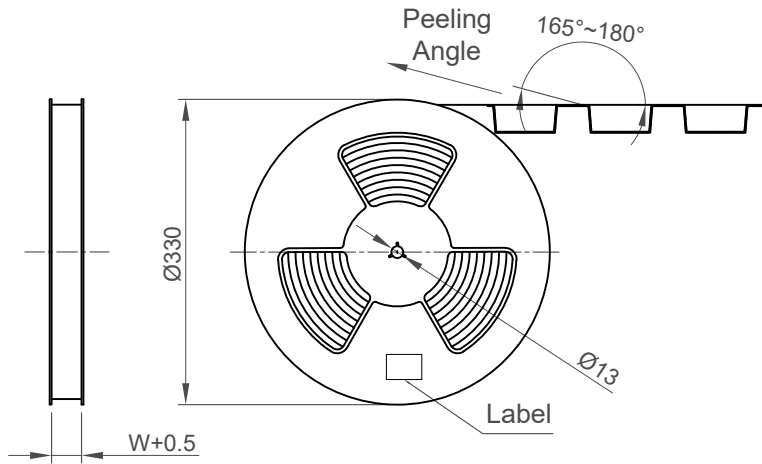
Pin	Signal	Mating Sequence	Pin	Signal	Mating Sequence
A1	GND	First	B12	GND	First
A2	SSTXp1	Second	B11	SSRXp1	Second
A3	SSTXn1	Second	B10	SSRXn1	Second
A4	Vbus	First	B9	Vbus	First
A5	CC1	Second	B8	SBU2	Second
A6	Dp1	Second	B7	Dn2	Second
A7	Dn1	Second	B6	Dp2	Second
A8	SBU1	Second	B5	CC2	Second
A9	Vbus	First	B4	Vbus	First
A10	SSRXn2	Second	B3	SSTXn2	Second
A11	SSRXp2	Second	B2	SSTXp2	Second
A12	GND	First	B1	GND	First
SHELL		GND	SHELL		GND

Part Number		Product Description									
USB4081		USB3.2 Gen 2 Type C Receptacle, Dual Row SMT, Horizontal, PCB Top Mount									
Drawing Date		21st December 2022									
By	CC	Tolerances (Except as Noted)		Units:	 This drawing is confidential and copyright of Global Connector Technology, Ltd (GCT). This drawing must not be copied or disclosed without written consent. E & OE						
Detail	Drawing Release	Length	Angle	Metric (mm)							
Revision	A	X.X ± 0.30	-								
Date	21/12/22	X.XX ± 0.25									
		X.XXX ± 0.10			<table border="1"> <tr> <td>Not to Scale</td> <td>Drawn By</td> <td>Sheet No.</td> </tr> <tr> <td></td> <td>CC</td> <td>2/2</td> </tr> </table>	Not to Scale	Drawn By	Sheet No.		CC	2/2
Not to Scale	Drawn By	Sheet No.									
	CC	2/2									



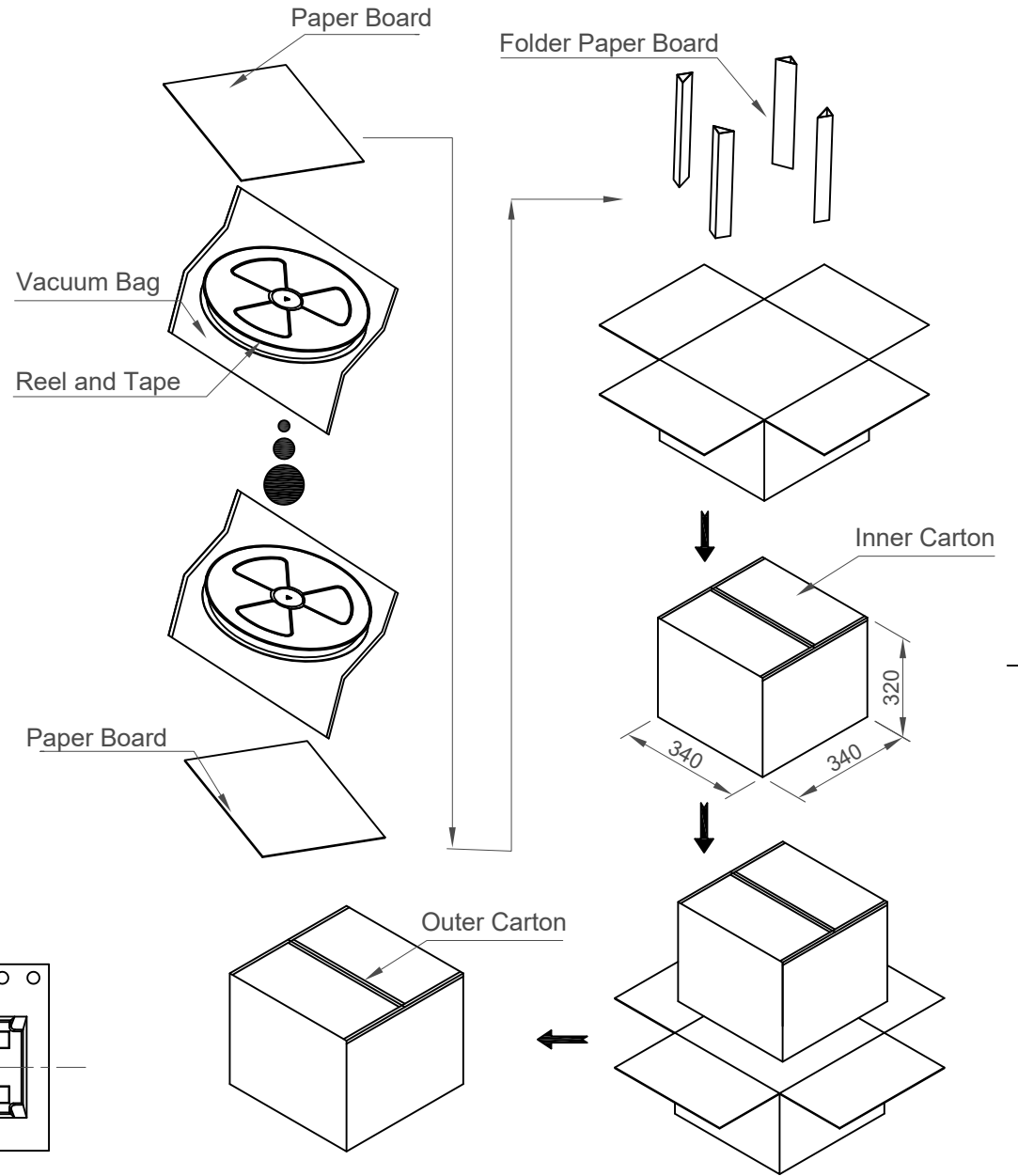


Direction of Unreeling



Direction of Unreeling

Pcs / Reel	Reels / Carton	Total Quantity
800	10	8000 pcs



Part Number		Product Description	
USB4081		USB3.2 Gen 2 Type C Receptacle, Dual Row SMT, Horizontal, PCB Top Mount	
Drawing Date		21st December 2022	
By	CC	Tolerances (Except as Noted)	Units:
Detail	Drawing Release	Length X.X ± 0.30	Metric (mm)
Revision	A	Angle X.XX ± 0.25	3rd Angle Projection
Date	21/12/22	X.XXX ± 0.10	



This drawing is confidential and copyright of Global Connector Technology, Ltd (GCT). This drawing must not be copied or disclosed without written consent. E & OE



Not to Scale	Drawn By CC	Sheet No. 3/3
--------------	----------------	------------------