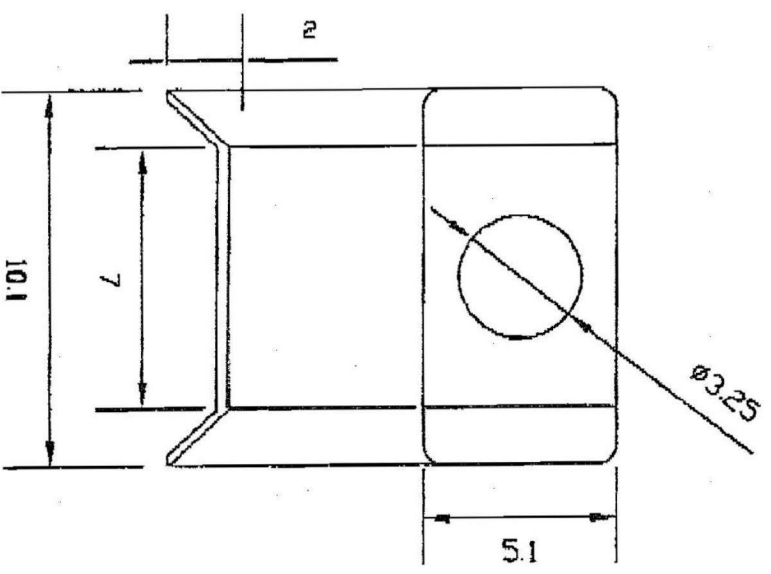


UNC 4-40

X 2PCS



X 2PCS

HARDWARE FOR CONNECTOR
 ITEM NO. #021 (BULK PACK)
 #1-021 (INDIVIDUAL PACK)
 INCLUDES: 2 CAPTIVE SCREWS + 2 SQUARE CLIPS
 MATERIAL OF SCREW: BRASS WITH NICKEL PLATED

ROHS
 Compliant

宏茂科技股份有限公司

App'd. 核准 HELEN	SCALE 比例 参考	TOLERANCE 容許公差 0 ± 0.0 ± ANG ±	PART NAME 品名 021 INDIVIDUAL PACKING RETAINING CLIP X 2PCS +SCREW#4-40 X 2PCS ROHS
DWG. 製圖 ABBY	UNIT 單位 MM	SIZE 紙張尺寸 A4	PART NO. 料號 UNC2
DATE 制表日 2013/04/29	PAGE 張數 1 OF 1	REV 版本 A	

A B C D E F G H

A B C D E F G H

1 2 3 4 5 6 7 8