

Shock-Safe Fuseholder, 5 x 20 / 6.3 x 32 mm, Slot



250 VAC · 4 W/10 A (VDE)20 A (UL)

**Description**

- Quick-connect or solder terminals

Standards

- IEC 60127-6
 - UL 4248-1 / UL 512
 - CSA C22.2 no. 39

Approvals

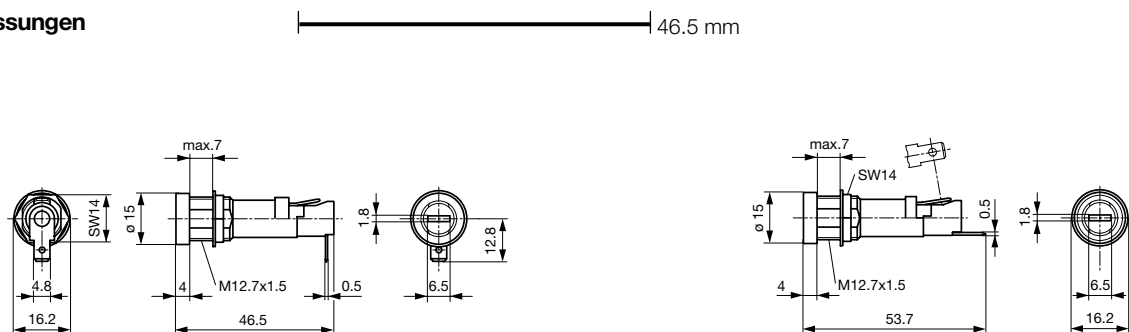
- VDE Certificate Number: 134125
 - UL File Number: E39328
 - CSA File Number: 38456

References**Weblinks**

pdf, General Product Information, Approvals, RoHS, CHINA-RoHS, e-Store, SCHURTER-Stock-Check, Distributor-Stock-Check, Accessories

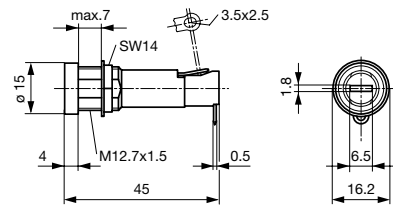
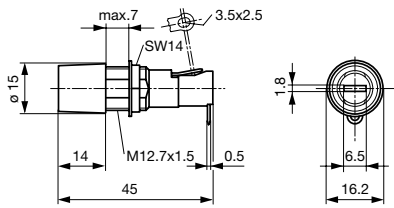
Technical Data

Shocksafe Category	PC2	Soldering Methods	Iron
Fuse-Link	5 x 20 or 6.3 x 32 mm	Solderability	350 °C / 2 sec acc. to IEC 60068-2-20, Test Ta, method 2
Mounting	Panel Mount, Front-Side	Resistance to Soldering Heat	350 °C / 10 sec acc. to IEC 60068-2-20, Test Tb, method 2
Mounting	Fixing Nut	Contact Resistance	< 5 mΩ at 20 mV
Terminal	Solder or Quick-Connect 4.8 x 0.5 mm	Dielectric Strength	> 3 kV between L-N > 4 kV between L/N-PE (50 Hz; 1 min)
Rated Voltage	250 VAC	Impulse Withstand Voltage	> 4 kV between L-N > 6 kV between L/N-PE
Rated Current	10 A (VDE), 20 A (UL)	Insulation Resistance	> 10 MΩ between L-N > 100 MΩ between L/N-PE (500 VDC; 1 min)
Rated Power Acceptance IEC	4 W / 10 A @ Ta 23 °C Admissible power acceptance at higher ambient temperature see derating curves	Overvoltage Category	I - III acc. to IEC 60664-1
Degree of Protection	IP 40	Pollution Degree	1 - 3 acc. to IEC 60664-1
Protection Class	Suitable for appliances with protection class 1 or 2 acc. to IEC 61140	Admissible Torque on Fixing Nut	max 1.2 Nm
Admissible Ambient Air Temp.	-40 °C to 85 °C	Panel Thickness s	max 7 mm
Climatic Category	40/085/21 acc. to IEC 60068-1		
Material: Socket	Thermoplastic, black, UL 94V-0		
Material: Terminals	Tin-Plated Copper Alloy		
Unit Weight (Socket/Cap)	5.5 g / 3.22 g		
Storage Conditions	0 °C to 60 °C, max. 70% r.h.		
Product Marking	☐, Type, Voltage, Current, Approvals		

Abmessungen

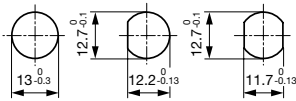
Variants: 0031.1693 and 0031.8822

Variant 0031.1694



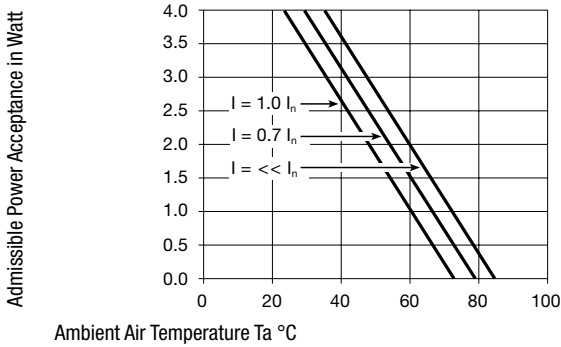
Variants 0031.1653, 0031.1695, 0031.1696

Variant 0031.1673



Mounting holes

Derating Curves



Variants

Holder	Cap	Fuse-Link	Terminal	Position End-Terminal	Degree of Protection	Colour Cap	Remark	Order Number
●	-	5 x 20 or 6.3 x 32mm	Quick-Connect 4.8 x 0.5	90° to Fuse Axis	IP 40	-	-	0031.1693
●	-	5 x 20 or 6.3 x 32mm	Quick-Connect 4.8 x 0.5	Straight to Fuse Axis	IP 40	-	-	0031.1694
●	-	5 x 20 or 6.3 x 32mm	Solder	90° to Fuse Axis	IP 40	-	-	0031.8822
●	-	5 x 20 or 6.3 x 32mm	Solder	90° to Fuse Axis	IP 40	-	-	0031.1653
●	-	5 x 20 or 6.3 x 32mm	Solder	90° to Fuse Axis	IP 40	-	-	0031.1673
●	Slot Knob	6.3 x 32mm	Quick-Connect 4.8 x 0.5	90° to Fuse Axis	IP 40	Grey	0031.1693 + 0031.1666	0031.1699
●	Slot Knob	6.3 x 32mm	Quick-Connect 4.8 x 0.5	Straight to Fuse Axis	IP 40	Grey	0031.1694 + 0031.1666	0031.1764
●	Slot Knob	6.3 x 32mm	Solder	90° to Fuse Axis	IP 40	Grey	0031.1653 + 0031.1666	0031.1659
●	Slot Knob	6.3 x 32mm	Solder	90° to Fuse Axis	IP 40	Grey	0031.1673 + 0031.1666	0031.1680
●	Slot Knob	6.3 x 32mm	Solder	90° to Fuse Axis	IP 40	-	0031.1673 + 0031.1661	0031.1672
●	Slot Knob	5 x 20mm	Solder	90° to Fuse Axis	IP 40	-	0031.1673 + 0031.1663	0031.1753

0031.1695 + 0031.1696 are made out of thermoset material.

Packaging Unit Bulk (100 pcs.)

Required Accessory

Description



Fingergrip FEU, FAU, FAC

Caps Fingergrip for Holder FEU, FAU, FAC

Fingergrip, 6.3 x 32 mm, IP 40	0031.1667
Fingergrip, 5 x 20 mm, IP 40	0031.1741

Caps to FEU, FAU, FAC

Caps to Holder FEU, FEU (Med), FAU, FAC

Slot Knob, 6.3 x 32 mm, IP 40	0031.1661
Slot Knob, 5 x 20 mm, IP 40	0031.1663
Slot Knob, 6.3 x 32 mm, Grey, IP 40	0031.1666

Accessories



Cover FEU, FEU (Med)

Insulation Cover for FEU, FEU (Med)

Suitable to 0031.1653	0859.0041
Suitable for 0031.1673 and 0031.1681	0859.0042
Suitable to 0031.1694	0859.0043