

Fuse Inserter/Extractor with Cover Function for 10.3x38 mm Fuses in Clips, Patent Pending



ESO Fuse Inserter/Extractor (part of the delivery)

1500 VAC/DC · 32 A (UL/CSA)



### Description

- Fuse inserter, extractor and cover in one component
- Patented, compact and cost-effective design
- Terminal marking optional possible
- Touch-safe according to IP20
- Captive fuse
- Designed for use with CSO clips only

### Standards

- UL 4248-1
- CSA C22.2 no. 39

### Approvals

- UL File Number: E39328

### Applications

- All photovoltaic applications
- Inverters
- Battery charge controllers
- String fuses
- DC applications

### References

Mating cover to [ASO 10.3x38](#); [CSO](#)

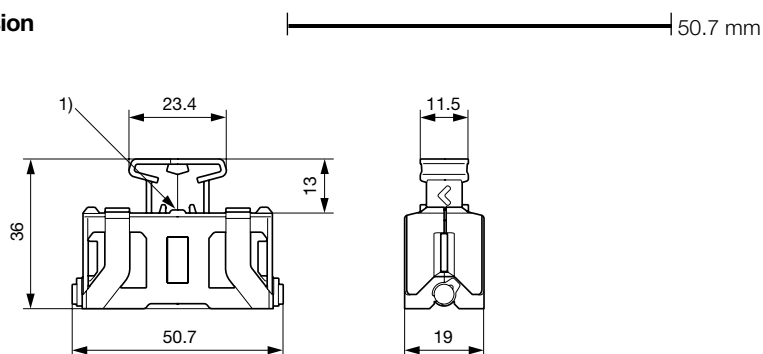
### Weblinks

[pdf-datasheet](#), [html-datasheet](#), [General Product Information](#), [Approvals](#), [CE declaration of conformity](#), [RoHS](#), [CHINA-RoHS](#), [REACH](#), [e-Shop](#), [SCHURTER-Stock-Check](#), [Distributor-Stock-Check](#), [Accessories](#), [Detailed request for product](#), [Video](#)

### Technical Data

Fuse-Link	10.3 x 38 mm
Mounting	Plug-in assembly
Rated Voltage	1500 VAC/DC (UL/CSA)
Rated current	32 A (UL/CSA)
Degree of Protection	IP 20
Admissible Ambient Air Temp.	-40 °C to 85 °C
Climatic Category	40/085/21 acc. to IEC 60068-1
Material	Thermoplastic black UL 94V-0
Unit Weight	9.2 g
Storage Conditions	0 °C to 60 °C, max. 70% r.h.
Product Marking	Type, Safety Note

### Dimension



<sup>1)</sup> Position for optional terminal marking  
(terminal block width: 5.2 mm, lettering field: 4.6x5.1 mm,  
e.g. item 0818153 from Phoenix Contact)

## All Variants

Type	Packaging	Order Number
ESO 10.3x38	Bulk (50 pcs.)	0853.1250
ESO 10.3x38	Bulk (500 pcs.)	0853.1251

Most Popular.

Availability for all products can be searched real-time:<http://www.schurter.com/en/Stock-Check/Stock-Check-SCHURTER>

## Required Accessory

### Description



**CSO**  
Heavy Duty Fuse Clip, 10.3 x 38 /10.3 x 85 mm, 1500 VAC/VDC, 32 A