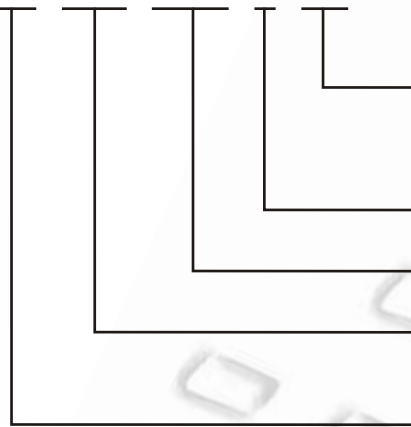


Specification:



Contact: Brass (CuZn), Cu/Ni, tin plated
 Terminal screw: Steel galvanized and chromated
 Insulator: Terephthlene, PBT (30% Glass Filled) (UL94V-0)
 Operating temperature: -30°C to 120°C
 Current rating: 16 A
 Resistance to tracking: 5 MW
 Dielectric strength: 2500 V
 Insulation withstanding voltage: 1500 VAC min.
 Rated voltage: 300 V

TB-5.0-K45-2-BL



Colour:

BL - blue
 GY - gray
 BK - black

No. of Poles:

N - max. 24

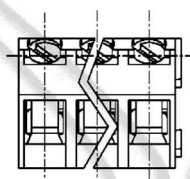
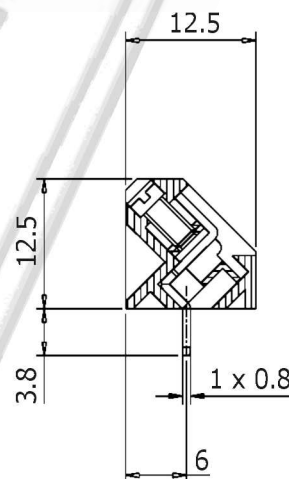
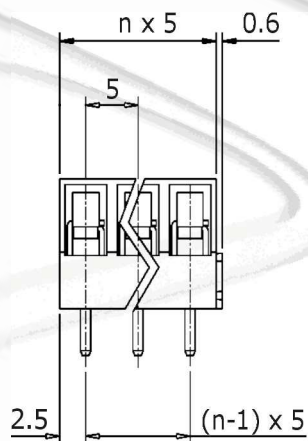
Stamping Type Insert:

K45 - 45° wire inlet

Pitch:

5.0 - 5.0 mm
 10 - 10.0 mm

Terminal Block



Recommended PCB holes diameter: \varnothing 1.3 mm to \varnothing 1.5 mm