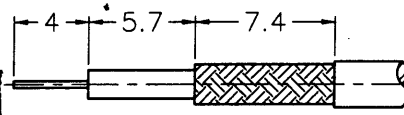


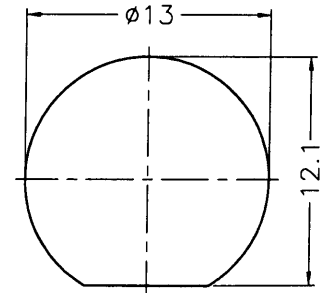
REVISIONS			
ISS	ZONE	DESCRIPTION\PER REQUEST\DATE	

1. CRIMPED FERRULE  
HEX CRIMP SIZE .178"
2. CRIMPED CONTACT PIN  
HEX CRIMP SIZE .068"
3. MAX. PANEL THICKNESS=3.7mm

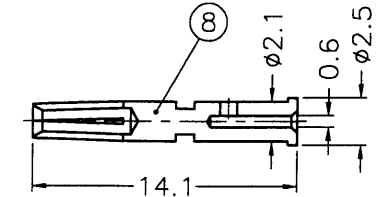
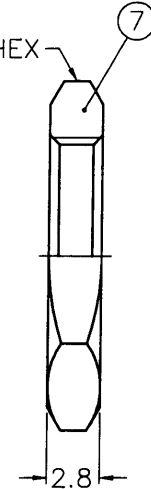
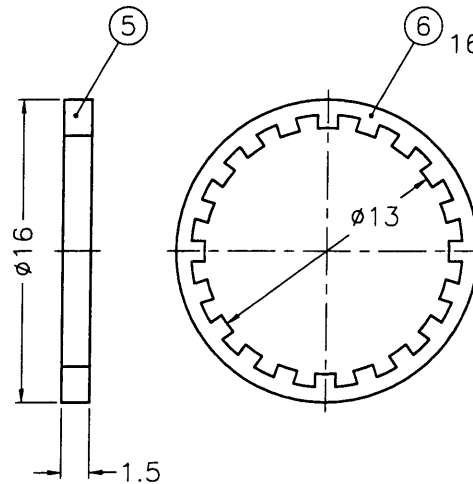
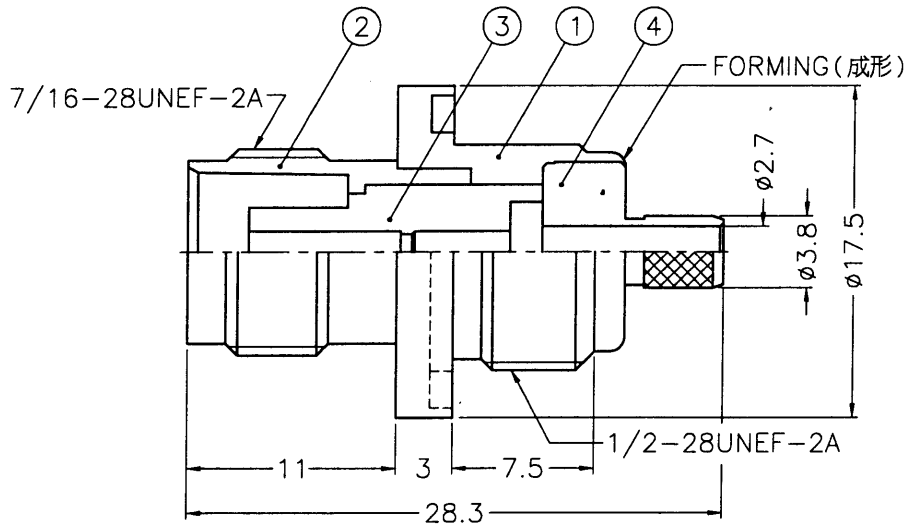
**SALES**



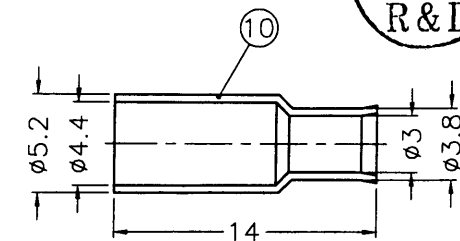
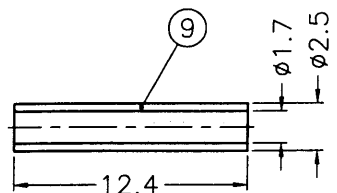
RECOMMENDED  
CABLE STRIPPING DIM'S  
(建議剝線尺寸)



RECOMMENDED  
MOUNTING HOLE  
(建議架設孔)



ISSUED  
2001. 10. 17  
R&D



- NOTES: FINISH (PLATING THICKNESS IN MICRO-INCHES)
1. BRASS PER QQ-B-626
  2. BRASS PER QQ-B-613
  3. NICKEL PL. 100 MIN. THICK OVER COPPER STRIKE
  4. PHOSPHOR BRONZE PER QQ-B-750
  5. GOLD PL. 3 MIN. THICK OVER NICKEL PL. 100 MIN. THICK OVER COPPER STRIKE
  6. JIS H 3260, C 3501
  7. TEFLON MIL-P-19468

10	FERRULE	NOTE 6	NOTE 3	1	FR-52/44-38/3X14
9	SLEEVE	DELIN	NATURAL	1	SL-25/17X124
8	CONTACT PIN	NOTE 4	NOTE 5	1	B74000-8-25/06
7	HEX NUT	NOTE 1	NOTE 3	1	HN16-1/2-28X28
6	LOCK WASHER	NOTE 2	NOTE 3	1	LW-16/13X05
5	GASKET	RUBBER	RED	1	GS-16/122X15
4	BARREL	NOTE 1	NOTE 3	1	BRO0ADK01A
3	INSULATOR	NOTE 7	NATURAL	1	B74000-3T-50
2	BODY	NOTE 1	NOTE 3	1	T74000-2
1	HOUSING	NOTE 1	NOTE 3	1	HS00ACW01A
NO.	DESCRIPTION	MATERIAL	FINISH	Q'TY	DRAWING NO.

DIMENSIONS ARE IN MILLIMETERS			
UNLESS OTHERWISE SPECIFIED TOLERANCES			
0.5-6	= ±0.2	PART NO.	
6-30	= ±0.4	APPROVED	DATE
30-120	= ±0.6	CHECKED	DATE
120-315	= ±1	DRAWN	DATE
315-1000	= ±1.6	FILE NO. F:\DWG\T\6321U1\003\50\NT3G	
1000-2000	= ±2.4		

Amphenol - Kai Jack	
TAINAN TAIWAN	
TITLE	TNC BULKHEAD CRIMP JACK (FOR RG-174/U,188A/U,316/U)
DRAWING NO.	KJ-T6321U1-003-NT3G-50
ITEM NO.	026321AAA36NA5F

F  
E  
D  
C  
B  
A

F  
E  
D  
C  
B  
A