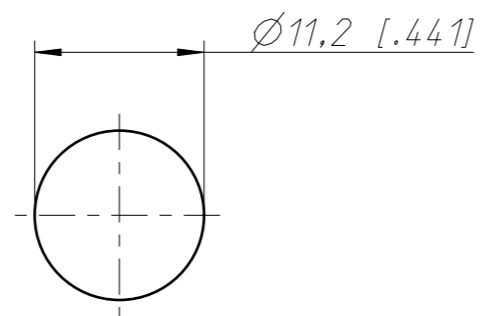


Frontplattenausschnitt (Rückseite)  
Panel cut out (rear side)



Sheet Number 1/1	Projection 	Scale 2:1	Format A3	Tolerancing ISO 2768-mK	
ECN Number -		Created 20.02.2003	noe		
Description  NMJ2HF-S			Modified 22.02.2021	mmu	
			Approved 23.02.2021	phk	
			Status Released		
<b>NEUTRIK</b>		3D Model ID NMJ2HF-S	Document ID ST-NMJ2HF-S	Revision -	