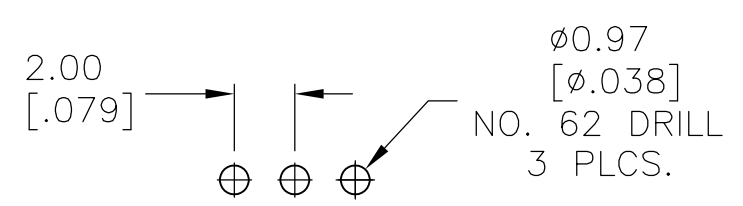
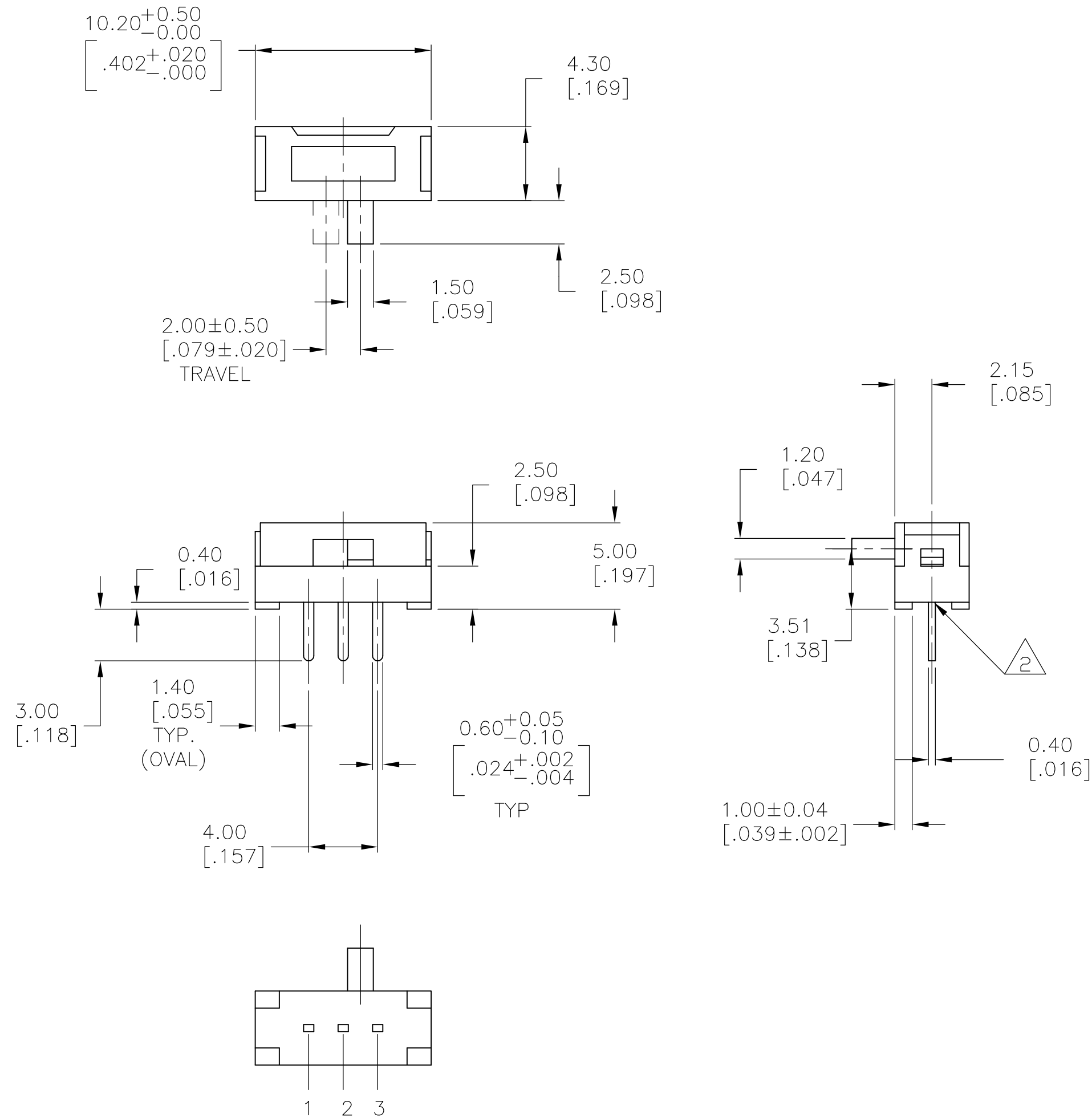


THIS DRAWING IS UNPUBLISHED. RELEASED FOR PUBLICATION  
 © COPYRIGHT BY TYCO ELECTRONICS CORPORATION. ALL RIGHTS RESERVED.

LOC		DIST		REVISIONS			
P	LTR	DESCRIPTION	DATE	DWN	APVD		
	B	ECO-06-000904	16OCT2007	RB	MS		



**SPECIFICATIONS**  
 MAKE-BEFORE-BREAK

**MATERIALS:**

ACTUATOR, BASE & COVER- NYLON 66 UL94V-0, BLACK  
 TERMINAL BOARD- PHENOLIC, NATURAL  
 TERMINAL/FIXED CONTACT- COPPER ALLOY- SILVER OVER NICKEL PLATE  
 MOVING CONTACT- COPPER ALLOY- SILVER OVER NICKEL PLATE  
 SEAL- EPOXY

**ELECTRICAL:**

CONTACT RATING- 100mA@12V DC  
 INITIAL CONTACT RESISTANCE- 30MILLIOHM MAX.  
 FINAL CONTACT RESISTANCE- 100MILLIOHM MAX. (AFTER TEST)  
 INSULTAION RESISTANCE- 100MEGOHMS MIN.  
 DIELECTRIC STRENGTH- 500V RMS@SEA LEVEL  
 LIFE EXPECTANCY- 10,000 CYCLES MIN.

**MECHANICAL:**

ACTUATION FORCE- 250 +200/-150 GRAMS  
 TRAVEL- 2.00±0.50 [.079±.020]

**ENVIRONMENTAL:**

OPERATING TEMPERATURE- -20° TO +70° C  
 STORAGE TEMPERATURE- -30° TO +70° C  
 RESISTANCE TO SOLDER HEAT- 260° FOR 5 SEC. PER 109-202, CONDITION C  
 SOLDERABILITY PER EIA-364-52, CLASS 2, CATEGORY 1, 95% MIN COVERAGE

**NOTES:**

- ALL MATERIALS AND FINISHES SHALL COMPLY WITH EU DIRECTIVE 2002/95/EC OF 27JAN2003 (ROHS)
- ANTI SOLDER WICK SEAL AT TERMINAL TO BOARD INTERFACE
- ALL TESTING COMPLETED PER 202-2469 TEST SPECIFICATION

PART NO.	MODEL NO.	POS. 1	POS. 2
1825281-1	SSJ12R04	2 TO 1	2 TO 3

TERMINALS CONNECTED WHEN SLIDER IS IN THE POSITION SHOWN.  
 NOTE: TERMINAL NUMBERS ARE FOR REFERENCE ONLY AND DO NOT APPEAR ON SWITCHES.

THIS DRAWING IS A CONTROLLED DOCUMENT.		DWN SUDHEER 17MAY06	Tyco Electronics Corporation Harrisburg, Pa 17105-3608	
DIMENSIONS: mm [INCHES]		CHK M. SARVER	NAME	
TOLERANCES UNLESS OTHERWISE SPECIFIED:		APVD M. SARVER	PRODUCT SPEC	
0 PLC ± -		APPLICATION SPEC		
1 PLC ± -		WEIGHT -		
2 PLC ± -		SCALE A2 00779 C=1825281		
3 PLC ± .025[.010]		SHEET 1 OF 1		
4 PLC ± -		REV B		
ANGLES ± 1°		CUSTOMER DRAWING		
FINISH -		RESTRICTED TO		
MATERIAL SEE SPECIFICATIONS		SCALE 4:1		