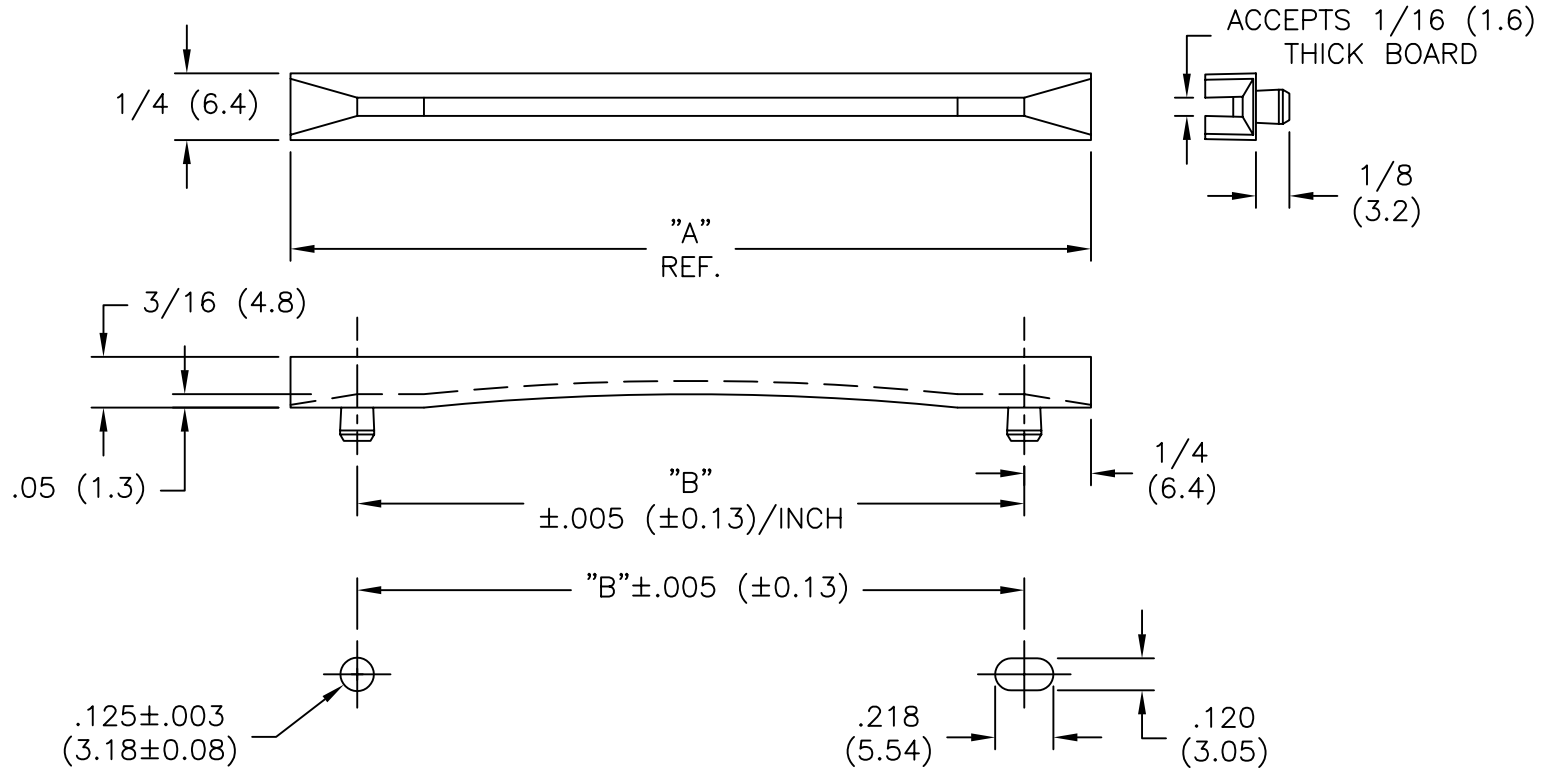


PART NO.	DIM. "A"	DIM. "B"
RCG-1	3.0 (76.2)	2.5 (63.5)
RCG-2	4.0 (101.6)	3.5 (88.9)
RCG-3	6.0 (152.4)	5.5 (139.7)
RCG-4	8.5 (215.9)	8.0 (203.2)



NOTES:

- MAT'L: NYLON 6/6 (RMS-01)  
FLAME RETARDANT NYLON (RMS-19).  
AVAILABLE BY SPECIAL ORDER ONLY.
- COLOR: NATURAL.

RECOMMENDED MOUNTING HOLES  
IN 1/16" (1.6) NOMINAL THICK PANEL

TITLE: RACK CARD GUIDES			DWG IN IN(MM)	FINAL	PRINT TYPE
TOLERANCES UNLESS NOTED .XX=±.010 .XXX=±.005 FRAC=1/64 ANG=1°	FILE # RCG MAT'L: SEE NOTES RE: RICHCO, INC.	DWN: J.B. DT: 12-05-95	APP: DT:	PART # SEE TABLE	CA
C SEE ECN #831 FOR CHANGES SM 08.09.04	B CHANGED DIM. "B" FROM FRAC. TO DEC. SM 02.05.02	A CHANGED FILE NUMBER SM 05.11.01	REV DESCRIPTION ENGR DATE	RICHCO INC. PO BOX 804238, CHICAGO, 60680 (773) 539-4060	