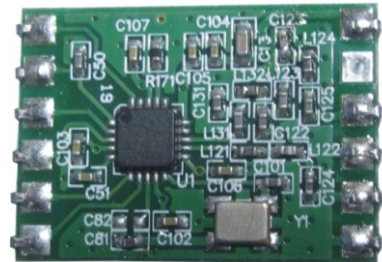


## Sub 1GHz Multichannels Radio Transceiver

It is a low cost sub 1GHz multichannels transceiver designed for low-consumption wireless applications. The hardware is based on Texas Instruments CC1101 component.  
Programmable from external microcontroller via SPI interface.

XXX : Specified working frequency (433.92MHz 868 MHz).



### Technical Characteristics

Characteristics	MIN	TYP	MAX	UNIT
Supply Voltage	1.8	3	3.6	VDC
Supply Current ( RX mode / TX mode)		18/30		mA
Supply Corrente Power Down mode		0.2		µA
Operative Frequency		433.92/868.30		MHz
RF Power Output 50ohm		+10		dBm
RF Sensitivity (1.2 Kb/sec data rate)		- 112		dBm
Data Rate	1.2		500	Kbit/s
Operating Temperature Range	-20		+70	°C

For more information and details, please refer to the CC1101 Texas Instruments datasheet.

### Applications :

- Wireless security systems
- Home and building automation
- Automatic Measure Reading
- Industrial Control and Monitoring
- Wireless Sensor Network

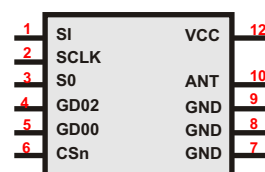
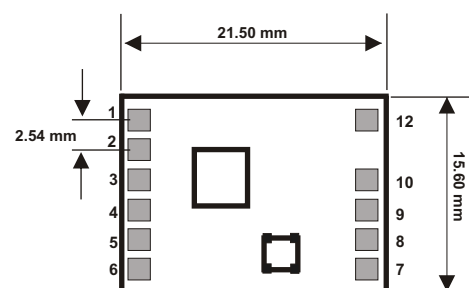
### Feature :

- Bidirectional multichannel Link
- Low consumption technology
- DIL Package

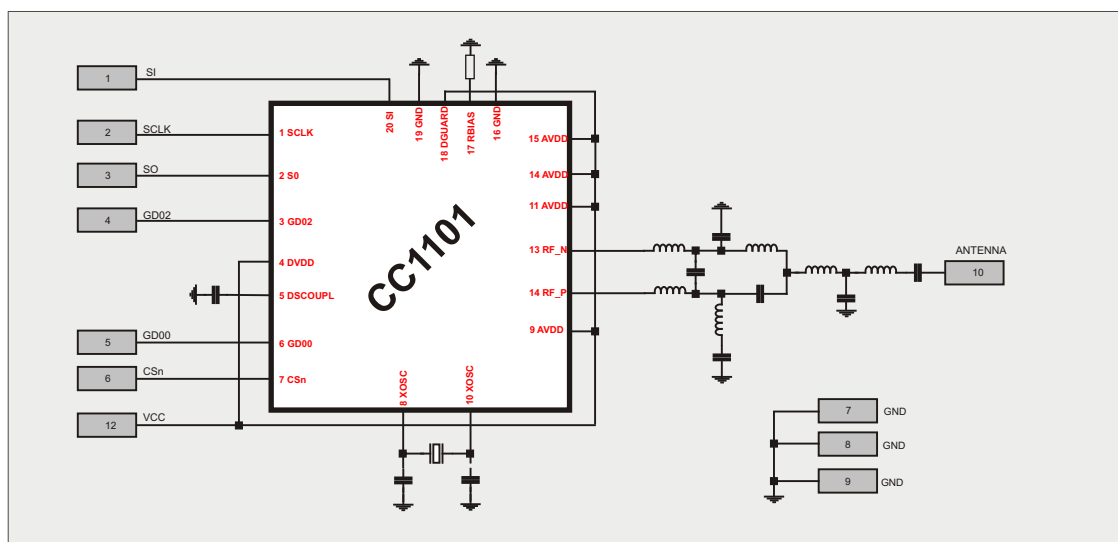
## PIN OUT RCC1101-SPI-XXX

Pads	Name	Description
1	SI	Serial configuration interface SPI -----> Data Input
2	SCLK	Serial configuration interface SPI -----> Clock Input
3	S0	Serial configuration interface SPI -----> Data Output
4	GD02	Digital Output configurable
5	GD00	Digital Output configurable
6	CSn	Serial configuration interface SPI -----> Chip Select
7	GND	Ground
8	GND	Ground
9	GND	Ground
10	ANT	Antenna
11		
12	VCC	Supply Voltage

## Mechanical dimensions



## 868MHz SCHEMATIC VERSION



## 434MHz SCHEMATIC VERSION

