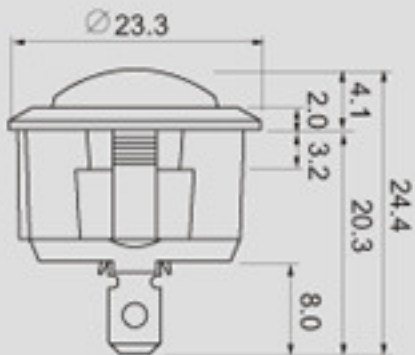


# R9-92N



0.5~3.0mm

DC500V 100M

110/220V AC

AC 1500V 1minute

Red, Yellow, Green

-20°C~+80°C

## TERMINAL

0 2  .187" SQ

## CUT-OUT



## FEATURES:

- Material:
  - Lens: PC (UL flame: 94V-2).
  - Body: nylon (UL flame: 94V-2).
  - Terminal: silver plated brass.
- Mounting: snap-in type.