

# MINI USB CONNECTOR ESB 3 SERIES (CONNECTOR)

## FEATURES

- Ultra-small size achieved universal series bus connector.
- Both 4Pin type and 5Pin (One ID pin) type are 0.8mm pitch.
- 5Pin type connector and cables are USB 2.0 approval.
- Receptacle and plug housing are UL 94V-0 grade fire retardant.
- Gold plated contact ensure low contact resistance.
- To make sure your connections are perfect every time.
- EMI protection by shielding features.

## APPLICATIONS

- Ideal for connecting portable PCs as slim notebook PCs and handheld PCs to small, slim peripheral equipment (digital cameras, small mouse, PDA, MP3, Hub etc.).

## SPECIFICATIONS

### 1.ELECTRICAL

- Voltage rating: 30VAC(rms)
- Current rating: 1Amp
- Contact resistance: 50mΩ Max.
- Insulation resistance: 100MΩ Min.
- Dielectric strength: 100VAC Min.

### 2.MECHANICAL

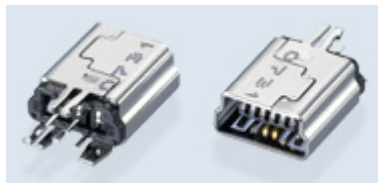
- Durability:  
1500 cycles (for 4 pin)  
5000 cycles (for 5pin)
- Mating force: 35N Max.
- Unmating force: 2.9N Min.

## DIMENSIONS (UNIT:mm)

ESB3A101211Z



ESB37



A TYPE CONNECTOR (4 pin)



B TYPE CONNECTOR (4 pin)



B TYPE CONNECTOR (5 pin)



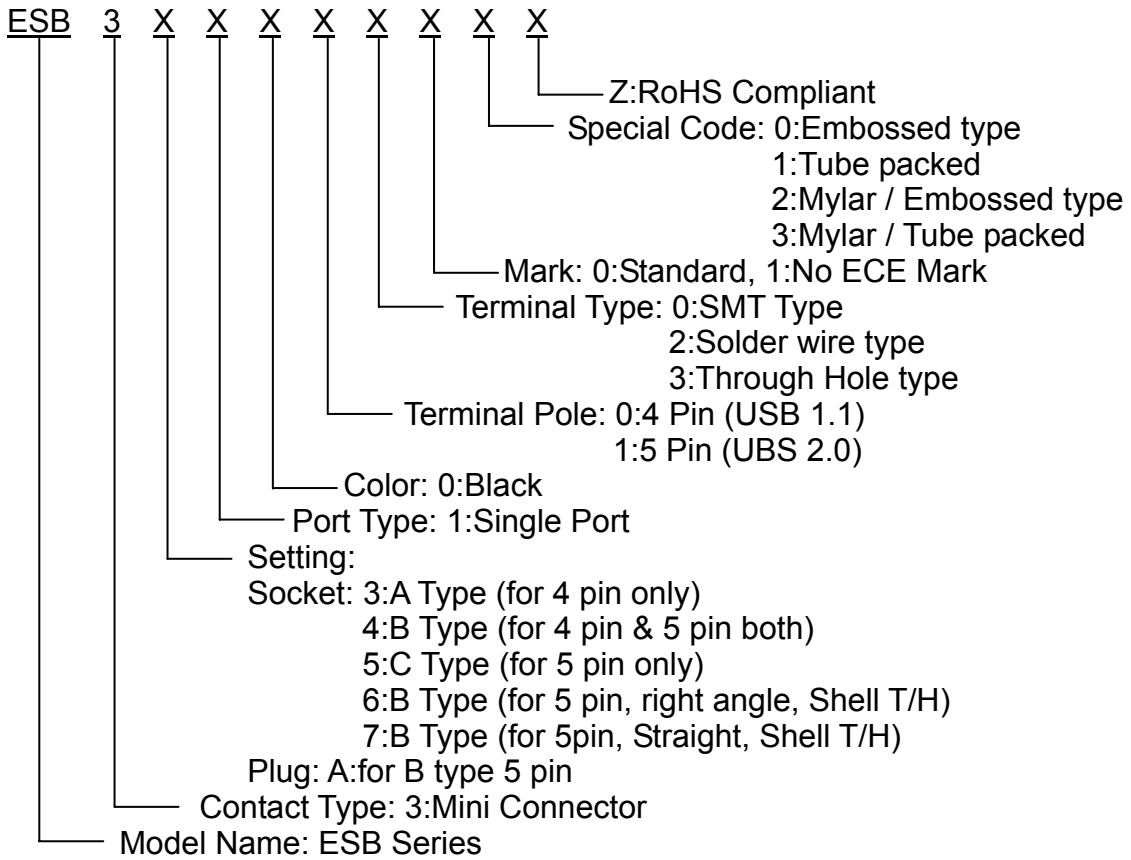
B TYPE CONNECTOR (5 pin, T/H)



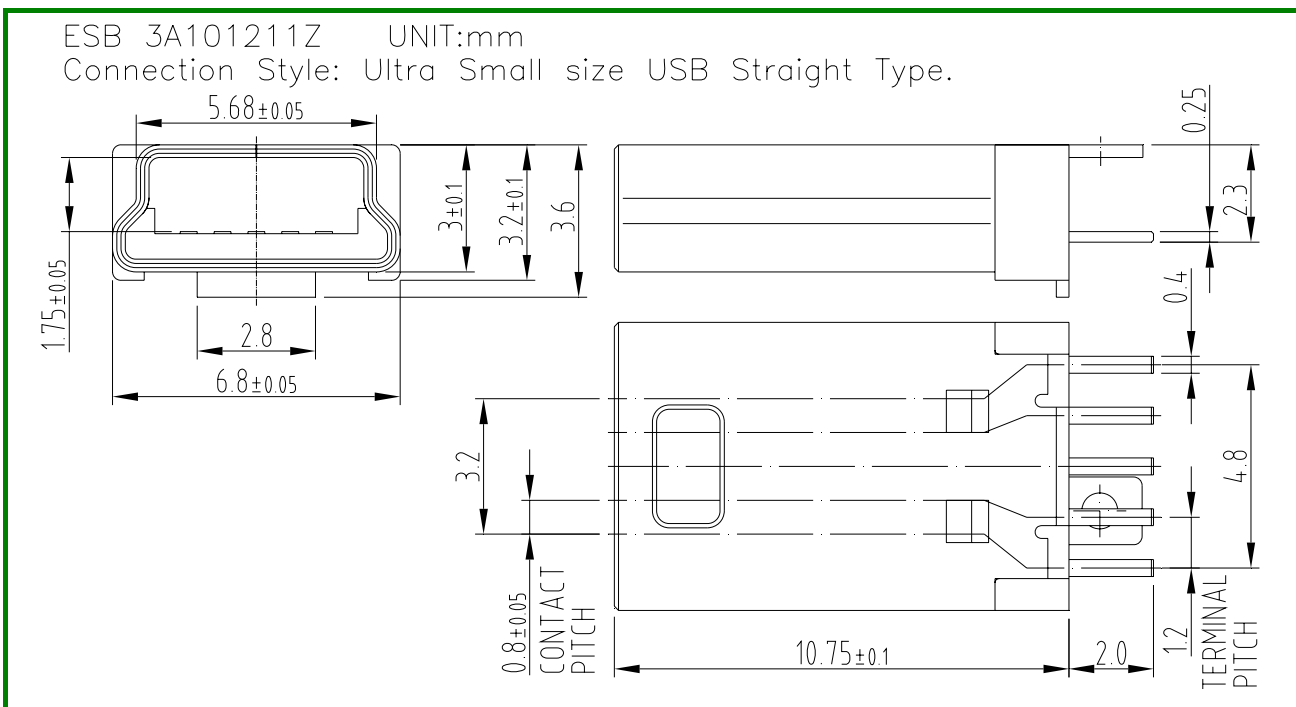
C TYPE CONNECTOR (5 pin)



### ■ PART NUMBERING SYSTEM

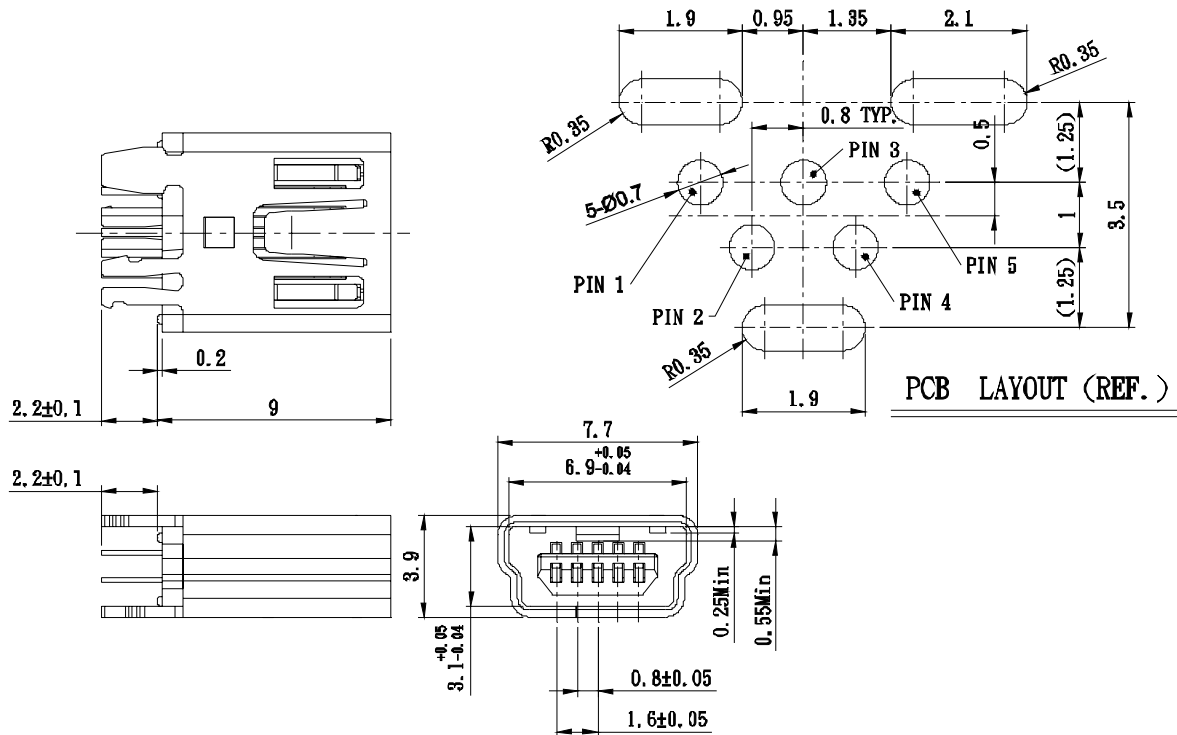


### ■ DIMENSIONS (UNIT:mm)



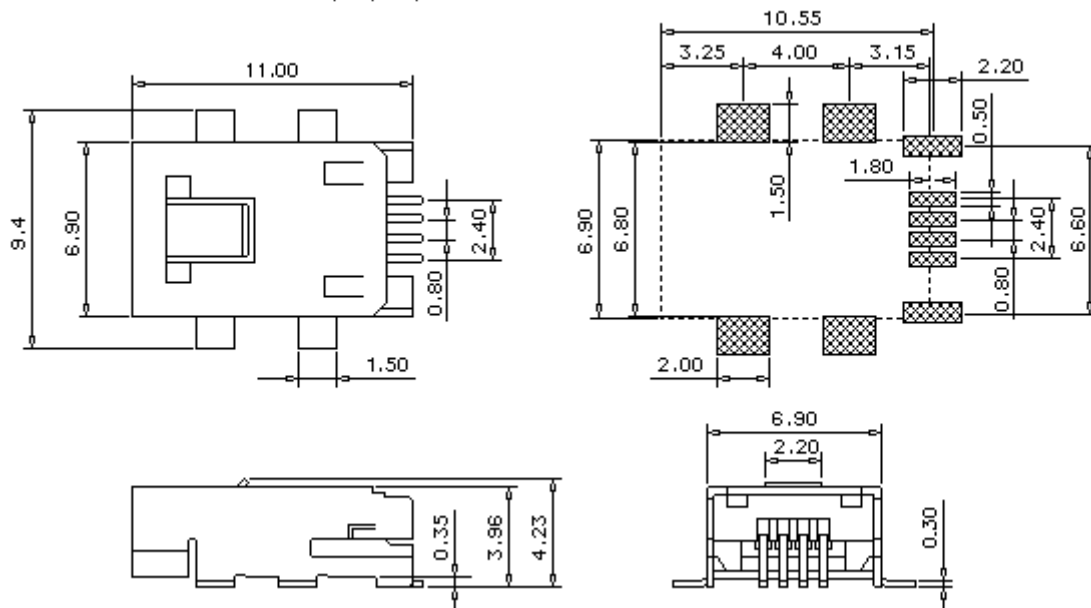
ESB37 UNIT:mm

Connection Style: Mini B Straight Type.

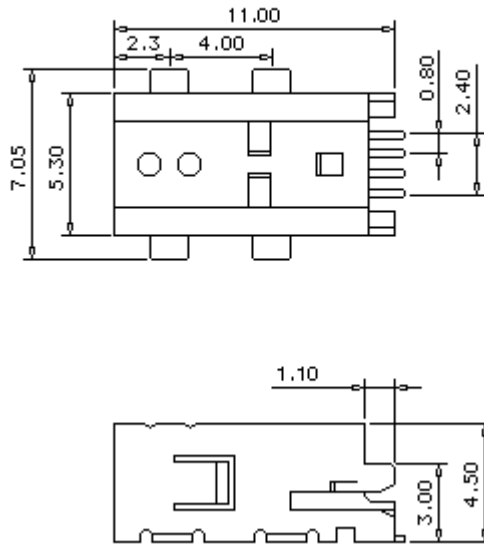


A TYPE CONNECTOR (4 pin) UNIT:mm

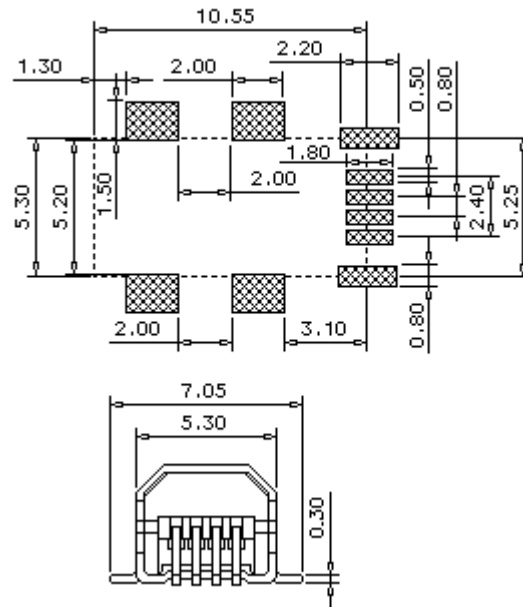
P.C.B. LAYOUT



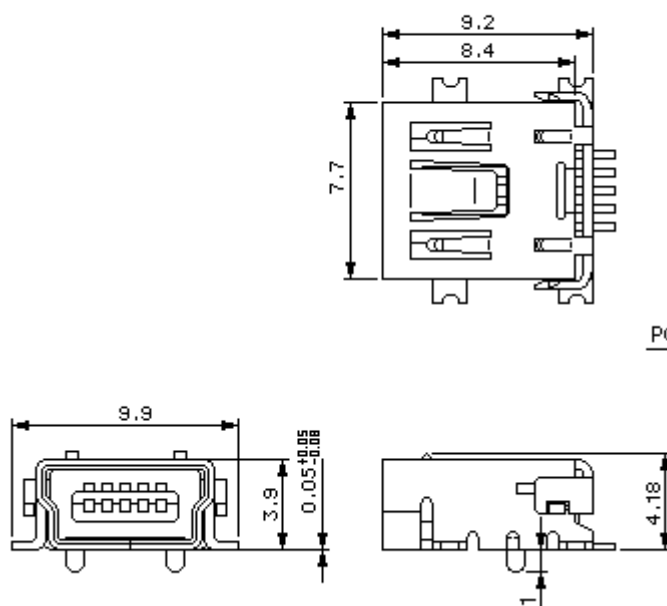
B TYPE CONNECTOR (4 pin) UNIT: mm



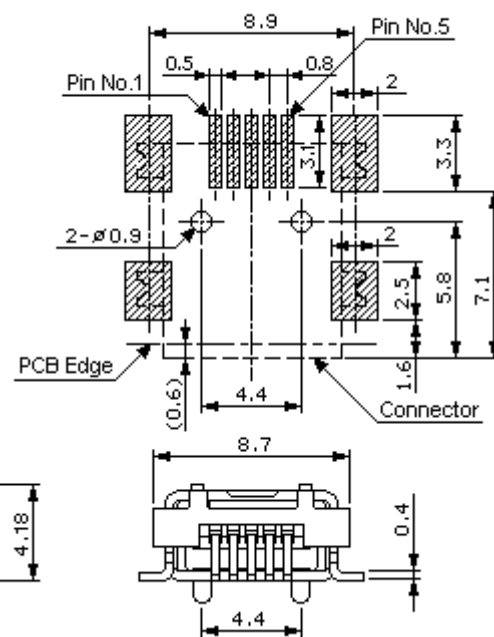
P.C.B. LAYOUT



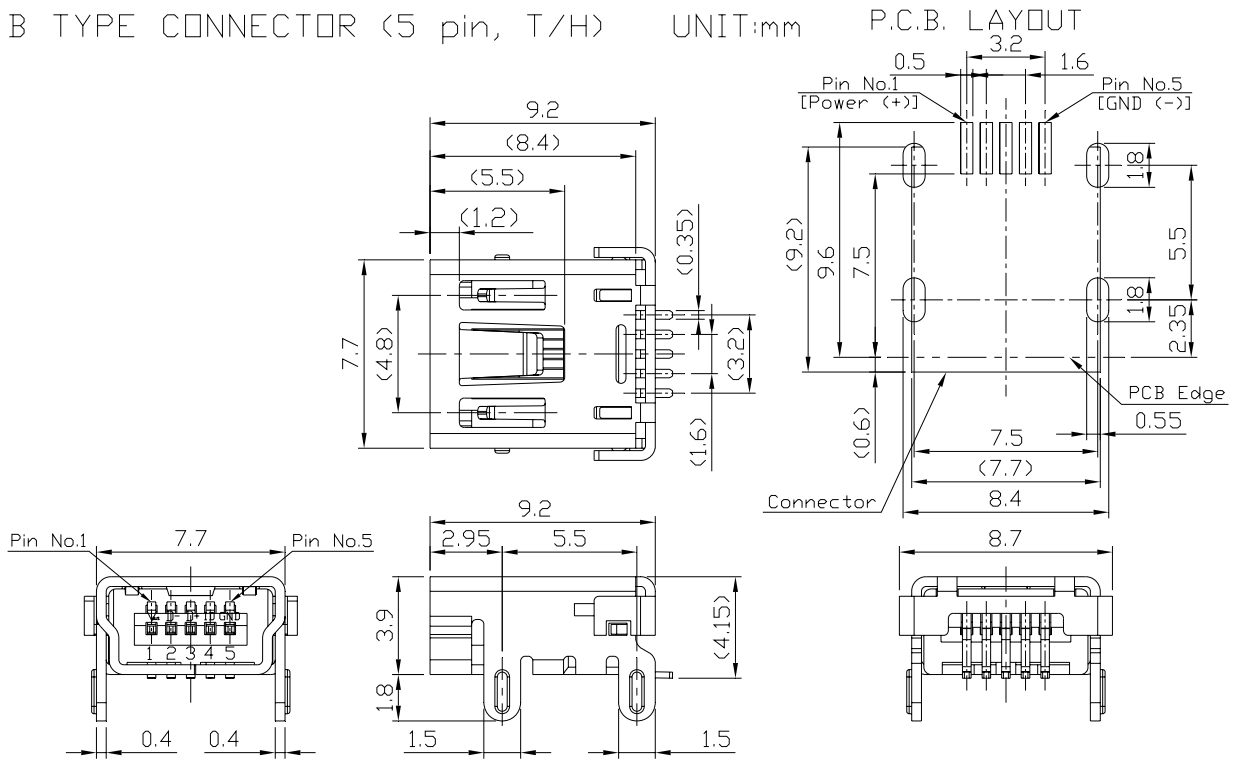
B TYPE CONNECTOR (5 pin) UNIT: mm



P.C.B. LAYOUT



B TYPE CONNECTOR (5 pin, T/H) UNIT:mm



C TYPE CONNECTOR (5 pin) UNIT:mm

