

**PGA206  
PGA207**

## High-Speed Programmable Gain INSTRUMENTATION AMPLIFIER

### FEATURES

- **DIGITALLY PROGRAMMABLE GAINS:**  
PGA206:  $G=1, 2, 4, 8V/V$   
PGA207:  $G=1, 2, 5, 10V/V$
- **TRUE INSTRUMENTATION AMP INPUT**
- **FAST SETTLING:  $3.5\mu s$  to  $0.01\%$**
- **FET INPUT:  $I_B = 100pA$  max**
- **INPUT PROTECTION:  $\pm 40V$**
- **LOW OFFSET VOLTAGE:  $1.5mV$  max**
- **16-PIN DIP, SOL-16 SOIC PACKAGES**

### APPLICATIONS

- **MULTIPLE-CHANNEL DATA ACQUISITION**
- **MEDICAL, PHYSIOLOGICAL AMPLIFIER**
- **PC-CONTROLLED ANALOG INPUT BOARDS**

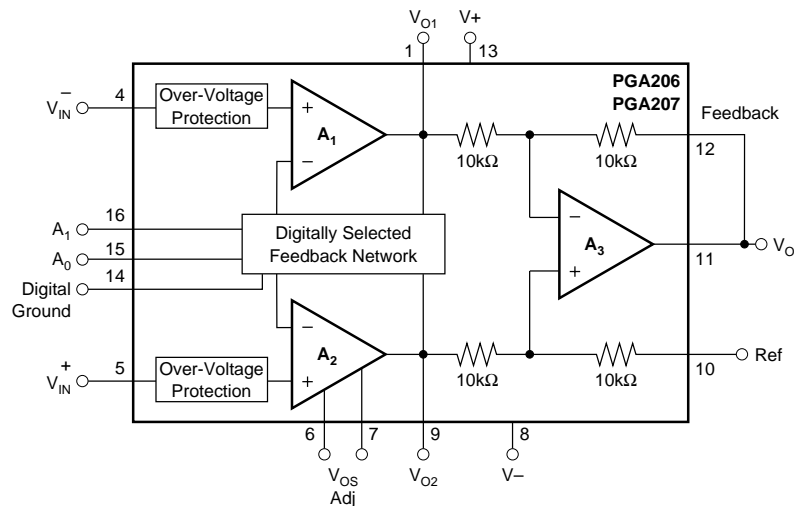
### DESCRIPTION

The PGA206 and PGA207 are digitally programmable gain instrumentation amplifiers that are ideally suited for data acquisition systems.

The PGA206 and PGA207's fast settling time allows multiplexed input channels for excellent system efficiency. FET inputs eliminate  $I_B$  errors due to analog multiplexer series resistance.

Gains are selected by two CMOS/TTL-compatible address lines. Analog inputs are internally protected for overloads up to  $\pm 40V$ , even with the power supplies off. The PGA206 and PGA207 are laser-trimmed for low offset voltage and low drift.

The PGA206 and PGA207 are available in 16-pin plastic DIP and SOL-16 surface-mount packages. Both are specified for  $-40^\circ C$  to  $+85^\circ C$  operation.



International Airport Industrial Park • Mailing Address: PO Box 11400, Tucson, AZ 85734 • Street Address: 6730 S. Tucson Blvd., Tucson, AZ 85706 • Tel: (520) 746-1111 • Twx: 910-952-1111  
Internet: <http://www.burr-brown.com/> • FAXLine: (800) 548-6133 (US/Canada Only) • Cable: BBRCORP • Telex: 066-6491 • FAX: (520) 889-1510 • Immediate Product Info: (800) 548-6132

# SPECIFICATIONS

At  $T_A = +25^\circ\text{C}$ ,  $V_S = \pm 15\text{V}$ ,  $R_L = 2\text{k}\Omega$  unless otherwise noted.

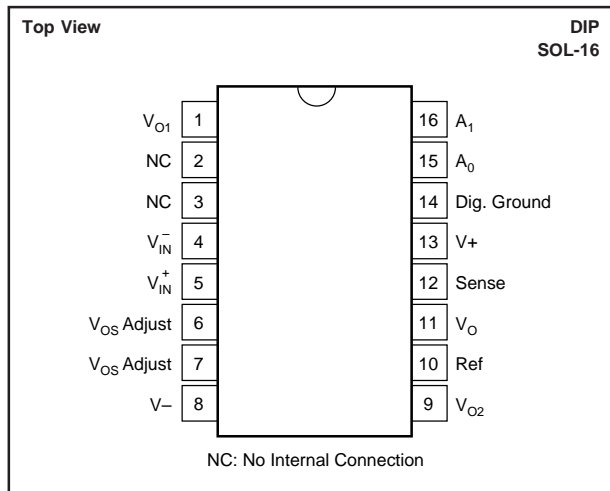
| PARAMETER                                | CONDITIONS  | PGA206P, U<br>PGA207P, U |                       |                               | PGA206PA, UA<br>PGA207PA, UA |          |                              | UNITS                        |
|--|---|--------------------------|-----------------------|-------------------------------|------------------------------|----------|------------------------------|------------------------------|
|  |   | MIN                      | TYP                   | MAX                           | MIN                          | TYP      | MAX                          |                              |
| <b>INPUT</b>                             |   |                          |                       |                               |                              |          |                              |                              |
| Offset Voltage, RTI                      | All Gains<br>$T_A = +25^\circ\text{C}$<br>$T_A = T_{\text{MIN}}$ to $T_{\text{MAX}}$ , $G = 8, 10$<br>$V_S = \pm 4.5\text{V}$ to $\pm 18\text{V}$ |                          | $\pm 0.5$             | $\pm 1.5$                     |                              | $\pm 1$  | $\pm 2.5$                    | mV                           |
| Initial                                  |   |                          | $\pm 2$               |                               |                              | *        |                              | $\mu\text{V}/^\circ\text{C}$ |
| vs Temperature                           |   |                          | $\pm 5$               | $\pm 20$                      |                              | $\pm 10$ | $\pm 40$                     | $\mu\text{V}/\text{V}$       |
| vs Power Supply                          |   |                          |                       | 4.5                           |                              |          |                              | $\mu\text{V}/\text{mo}$      |
| Long-Term Stability                      |   |                          |                       | $10^{13} \parallel 1$         |                              |          |                              | $\Omega \parallel \text{pF}$ |
| Impedance, Differential                  |   |                          | $10^{12} \parallel 4$ |                               |                              |          | $\Omega \parallel \text{pF}$ |                              |
| Common-Mode                              |   |                          |                       |                               |                              |          | V                            |                              |
| Common-Mode Voltage Range <sup>(1)</sup> | $V_O = 0\text{V}$   | $\pm( V_S  - 4)$         | $\pm( V_S  - 2.5)$    |                               | *                            | *        | V                            |                              |
| Safe Input Voltage                       |   |                          |                       | $\pm 40$                      |                              |          | *                            | V                            |
| Common-Mode Rejection                    | $V_{\text{CM}} = \pm 11\text{V}$ , $\Delta R_S = 1\text{k}\Omega$   |                          |                       |                               |                              |          |                              |                              |
|  | $G = 1$   | 80                       | 92                    |                               | 75                           | 86       |                              | dB                           |
|  | $G = 2$   | 85                       | 96                    |                               | 80                           | 90       |                              | dB                           |
|  | $G = 4$ or $5$  | 90                       | 100                   |                               | 84                           | 94       |                              | dB                           |
|  | $G = 8$ or $10$   | 95                       | 100                   |                               | 84                           | 94       |                              | dB                           |
| <b>INPUT BIAS CURRENT</b>                | $V_{\text{IN}} = 0$   |                          | 2                     | 100                           |                              | *        | *                            | pA                           |
| vs Temperature                           |   |                          | See Typical Curve     |                               |                              | *        |                              |                              |
| Offset Current                           |   |                          | 1                     | 100                           |                              | *        | *                            | pA                           |
| vs Temperature                           |   |                          | See Typical Curve     |                               |                              | *        |                              |                              |
| <b>NOISE VOLTAGE, RTI</b>                | $G = 8, 10$ ; $R_S = 0\Omega$   |                          |                       |                               |                              |          |                              |                              |
| $f = 10\text{Hz}$                        |   |                          | 30                    |                               |                              | *        |                              | $\text{nV}/\sqrt{\text{Hz}}$ |
| $f = 100\text{Hz}$                       |   |                          | 20                    |                               |                              | *        |                              | $\text{nV}/\sqrt{\text{Hz}}$ |
| $f = 1\text{kHz}$                        |   |                          | 18                    |                               |                              | *        |                              | $\text{nV}/\sqrt{\text{Hz}}$ |
| $f_B = 0.1\text{Hz}$ to $10\text{Hz}$    |   |                          | 1                     |                               |                              | *        |                              | $\mu\text{Vp-p}$             |
| Noise Current                            |   |                          |                       |                               |                              |          |                              |                              |
| $f = 1\text{kHz}$                        |   |                          | 1.5                   |                               |                              | *        |                              | $\text{fA}/\sqrt{\text{Hz}}$ |
| <b>GAIN</b>                              | All Gains, $V_O = \pm 11\text{V}$   |                          |                       |                               |                              |          |                              |                              |
| Gain Error                               |   |                          | $\pm 0.01$            | $\pm 0.05$                    |                              | *        | $\pm 0.1$                    | %                            |
| Gain vs Temperature <sup>(2)</sup>       |   |                          | $\pm 1$               | $\pm 10$                      |                              | *        | *                            | $\text{ppm}/^\circ\text{C}$  |
| Nonlinearity                             |   |                          | $\pm 0.0003$          | $\pm 0.002$                   |                              | *        | $\pm 0.005$                  | % of FSR                     |
| <b>OUTPUT</b>                            |   |                          |                       |                               |                              |          |                              |                              |
| Voltage, Positive                        |   | (V+) -4                  | (V+) -2.3             |                               | *                            | *        |                              | V                            |
| Negative                                 |   | (V-) +4                  | (V-) +1.5             |                               | *                            | *        |                              | V                            |
| Load Capacitance Stability               |   |                          | 1000                  |                               |                              | *        |                              | pF                           |
| Short-Circuit Current                    |   |                          | $\pm 17$              |                               |                              | *        |                              | mA                           |
| <b>FREQUENCY RESPONSE</b>                |   |                          |                       |                               |                              |          |                              |                              |
| Bandwidth, -3dB                          | $G = 1$   |                          | 5                     |                               |                              | *        |                              | MHz                          |
|  | $G = 2$   |                          | 4                     |                               |                              | *        |                              | MHz                          |
|  | $G = 4, 5$  |                          | 1.3                   |                               |                              | *        |                              | MHz                          |
|  | $G = 8, 10$   |                          | 600                   |                               |                              | *        |                              | kHz                          |
| Slew Rate                                | $V_O = \pm 10\text{V}$ , $G = 1$ to $10$  |                          | 25                    |                               |                              | *        |                              | $\text{V}/\mu\text{s}$       |
| Settling Time, 0.1%                      | 20V Step, All Gains   |                          | 2                     |                               |                              | *        |                              | $\mu\text{s}$                |
| 0.01%                                    | 20V Step, All Gains   |                          | 3.5                   |                               |                              | *        |                              | $\mu\text{s}$                |
| Output Overload Recovery                 | 50% Overdrive   |                          | 1.5                   |                               |                              | *        |                              | $\mu\text{s}$                |
| <b>DIGITAL LOGIC INPUTS</b>              |   |                          |                       |                               |                              |          |                              |                              |
| Digital Ground Voltage, $V_{\text{DG}}$  |   | V-                       |                       | (V+) -4                       | *                            |          | *                            | V                            |
| Digital Low Voltage                      |   | V-                       |                       | $V_{\text{DG}} + 0.8\text{V}$ | *                            |          | *                            | V                            |
| Digital Input Current                    |   |                          | 1                     |                               |                              | *        |                              | pA                           |
| Digital High Voltage                     |   | $V_{\text{DG}} + 2$      |                       | V+                            | *                            |          | *                            | V                            |
| Gain Switching Time                      |   |                          | 500                   |                               |                              | *        |                              | ns                           |
| <b>POWER SUPPLY</b>                      |   |                          |                       |                               |                              |          |                              |                              |
| Voltage Range                            |   | $\pm 4.5$                | $\pm 15$              | $\pm 18$                      | *                            | *        | *                            | V                            |
| Current                                  | $V_{\text{IN}} = 0\text{V}$   |                          | $\pm 12.4/-11.2$      | $\pm 13.5$                    |                              | *        |                              | mA                           |
| <b>TEMPERATURE RANGE</b>                 |   |                          |                       |                               |                              |          |                              |                              |
| Specification                            |   | -40                      |                       | +85                           | *                            |          | *                            | $^\circ\text{C}$             |
| Operating                                |   | -40                      |                       | +125                          | *                            |          | *                            | $^\circ\text{C}$             |
| Thermal Resistance, $\theta_{\text{JA}}$ |   |                          | 80                    |                               |                              | *        |                              | $^\circ\text{C}/\text{W}$    |

\* Specification same as PGA206P or PGA207P.

NOTES: (1) Input common-mode range varies with output voltage—see typical curves. (2) Guaranteed by wafer test.

The information provided herein is believed to be reliable; however, BURR-BROWN assumes no responsibility for inaccuracies or omissions. BURR-BROWN assumes no responsibility for the use of this information, and all use of such information shall be entirely at the user's own risk. Prices and specifications are subject to change without notice. No patent rights or licenses to any of the circuits described herein are implied or granted to any third party. BURR-BROWN does not authorize or warrant any BURR-BROWN product for use in life support devices and/or systems.

## PIN CONFIGURATION



## PACKAGE INFORMATION

| PRODUCT  | PACKAGE              | PACKAGE DRAWING NUMBER <sup>(1)</sup> |
|----------|----------------------|---------------------------------------|
| PGA206PA | 16-Pin Plastic DIP   | 180                                   |
| PGA206P  | 16-Pin Plastic DIP   | 180                                   |
| PGA206UA | SOL-16 Surface Mount | 211                                   |
| PGA206U  | SOL-16 Surface Mount | 211                                   |
| PGA207PA | 16-Pin Plastic DIP   | 180                                   |
| PGA207P  | 16-Pin Plastic DIP   | 180                                   |
| PGA207UA | SOL-16 Surface Mount | 211                                   |
| PGA207U  | SOL-16 Surface Mount | 211                                   |

NOTE: (1) For detailed drawing and dimension table, please see end of data sheet, or Appendix C of Burr-Brown IC Data Book.

## ABSOLUTE MAXIMUM RATINGS

|   |                                 |
|---|---------------------------------|
| Supply Voltage .....                    | $\pm 18V$                       |
| Analog Input Voltage Range .....        | $\pm 40V$                       |
| Logic Input Voltage Range .....         | $\pm V_S$                       |
| Output Short-Circuit (to ground) .....  | Continuous                      |
| Operating Temperature .....             | $-40^\circ C$ to $+125^\circ C$ |
| Storage Temperature .....               | $-40^\circ C$ to $+125^\circ C$ |
| Junction Temperature .....              | $+150^\circ C$                  |
| Lead Temperature (soldering -10s) ..... | $+300^\circ C$                  |

## ORDERING INFORMATION

| PRODUCT  | GAINS          | PACKAGE              | TEMPERATURE RANGE              |
|----------|----------------|----------------------|--------------------------------|
| PGA206PA | 1, 2, 4, 8V/V  | 16-Pin Plastic DIP   | $-40^\circ C$ to $+85^\circ C$ |
| PGA206P  | 1, 2, 4, 8V/V  | 16-Pin Plastic DIP   | $-40^\circ C$ to $+85^\circ C$ |
| PGA206UA | 1, 2, 4, 8V/V  | SOL-16 Surface-Mount | $-40^\circ C$ to $+85^\circ C$ |
| PGA206U  | 1, 2, 4, 8V/V  | SOL-16 Surface-Mount | $-40^\circ C$ to $+85^\circ C$ |
| PGA207PA | 1, 2, 5, 10V/V | 16-Pin Plastic DIP   | $-40^\circ C$ to $+85^\circ C$ |
| PGA207P  | 1, 2, 5, 10V/V | 16-Pin Plastic DIP   | $-40^\circ C$ to $+85^\circ C$ |
| PGA207UA | 1, 2, 5, 10V/V | SOL-16 Surface-Mount | $-40^\circ C$ to $+85^\circ C$ |
| PGA207U  | 1, 2, 5, 10V/V | SOL-16 Surface-Mount | $-40^\circ C$ to $+85^\circ C$ |



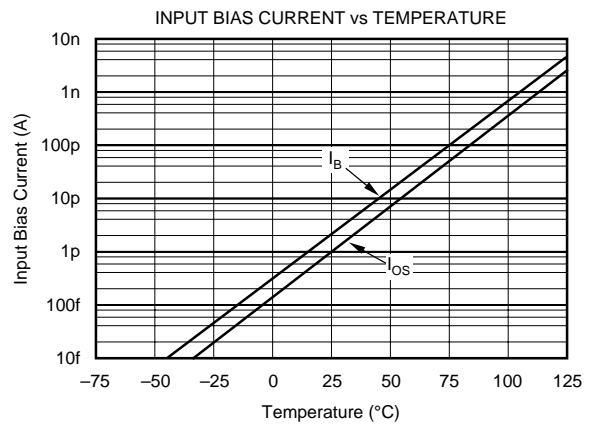
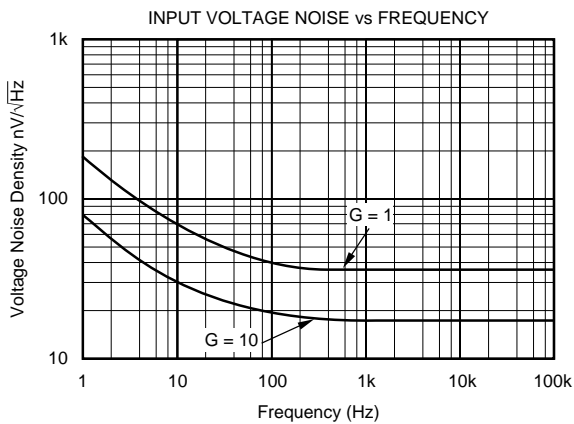
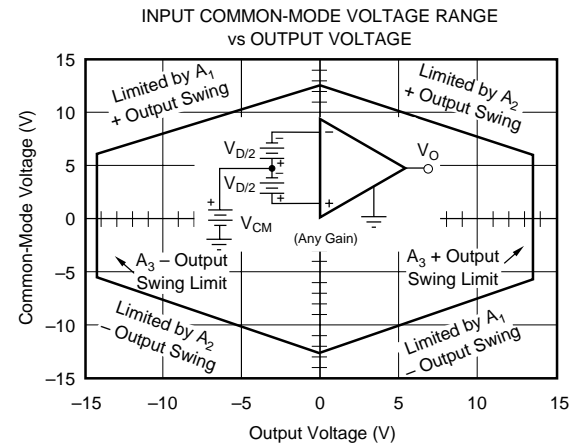
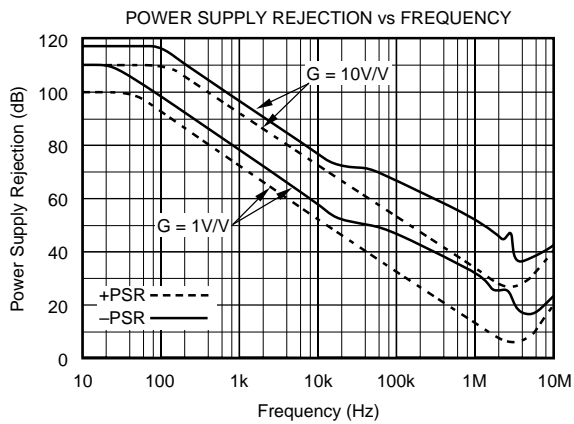
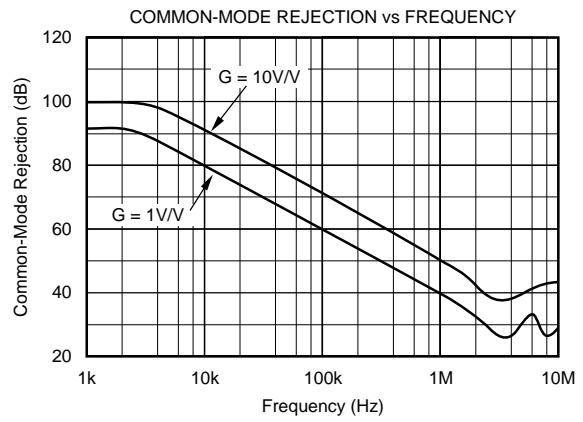
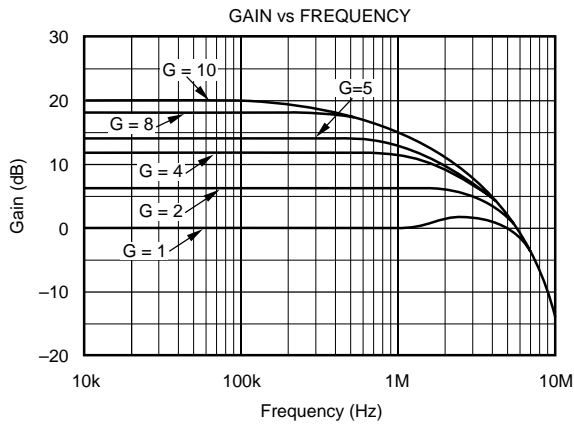
## ELECTROSTATIC DISCHARGE SENSITIVITY

This integrated circuit can be damaged by ESD. Burr-Brown recommends that all integrated circuits be handled with appropriate precautions. Failure to observe proper handling and installation procedures can cause damage.

ESD damage can range from subtle performance degradation to complete device failure. Precision integrated circuits may be more susceptible to damage because very small parametric changes could cause the device not to meet its published specifications.

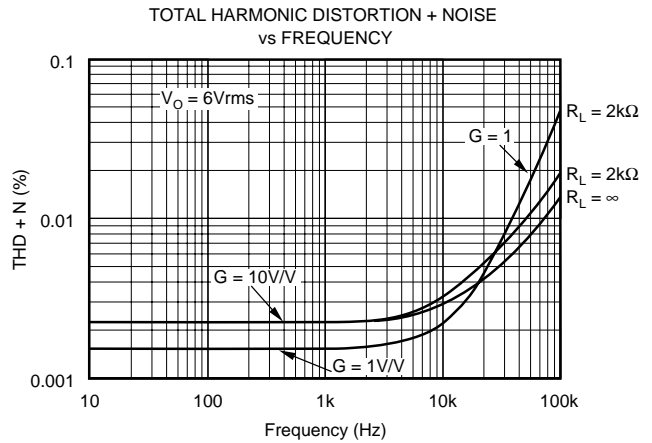
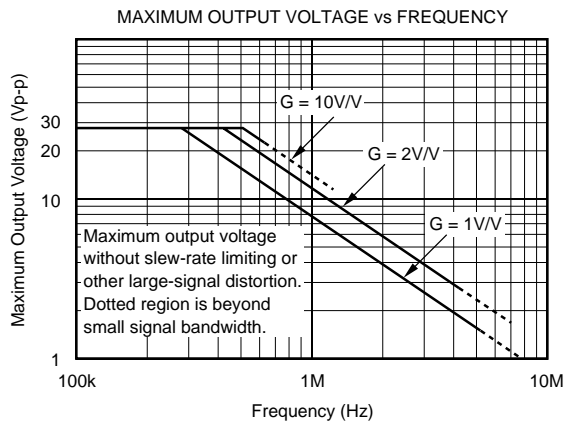
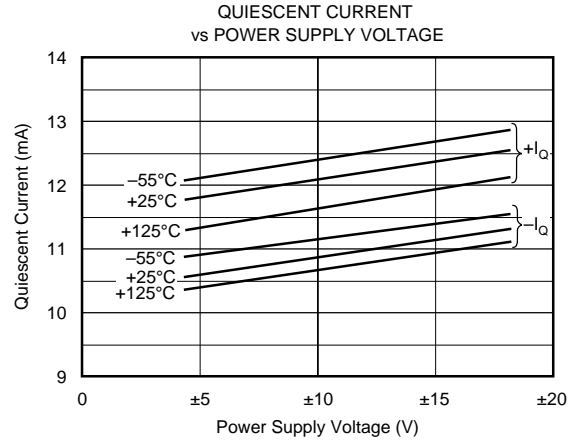
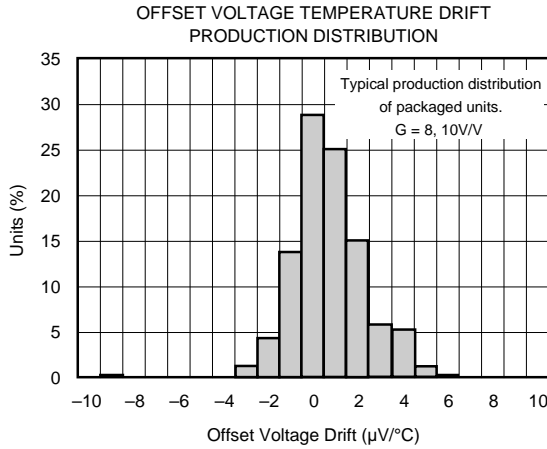
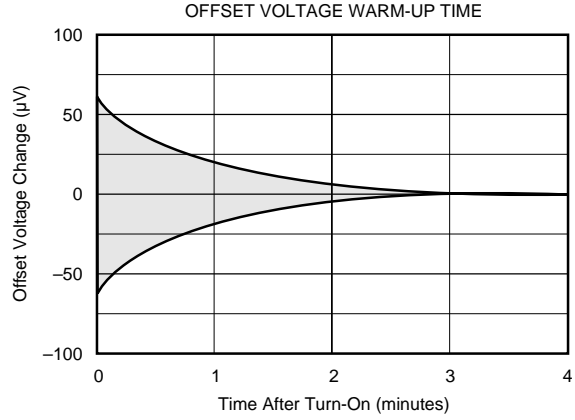
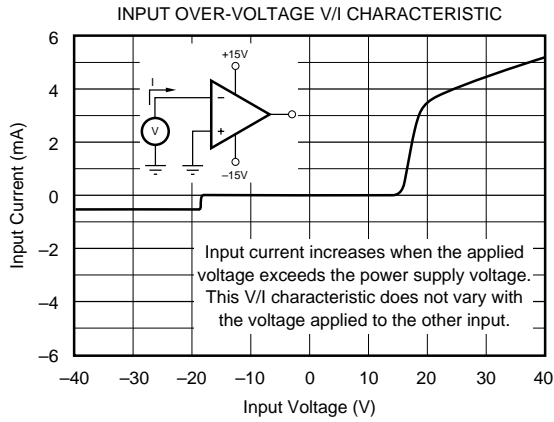
# TYPICAL PERFORMANCE CURVES

At  $T_A = +25^\circ\text{C}$ , and  $V_S = \pm 15\text{V}$ , unless otherwise noted.



# TYPICAL PERFORMANCE CURVES (CONT)

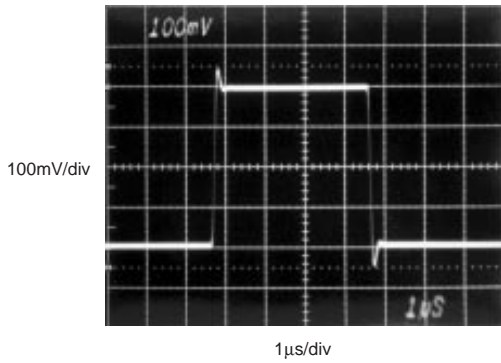
At  $T_A = +25^\circ\text{C}$ , and  $V_S = \pm 15\text{V}$ , unless otherwise noted.



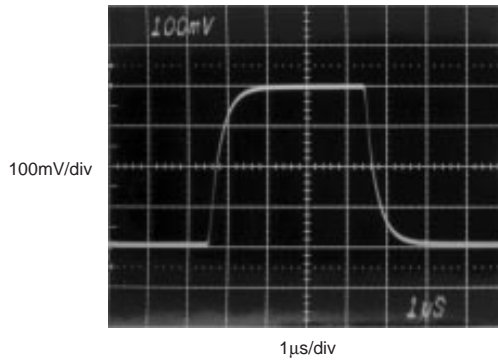
# TYPICAL PERFORMANCE CURVES (CONT)

At  $T_A = +25^\circ\text{C}$ , and  $V_S = \pm 15\text{V}$ , unless otherwise noted.

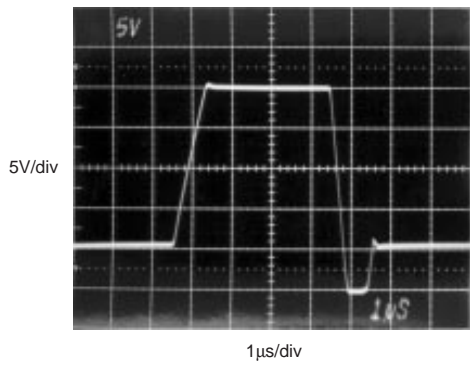
SMALL SIGNAL RESPONSE  
 $G = 1, C_L = 50\text{pF}$



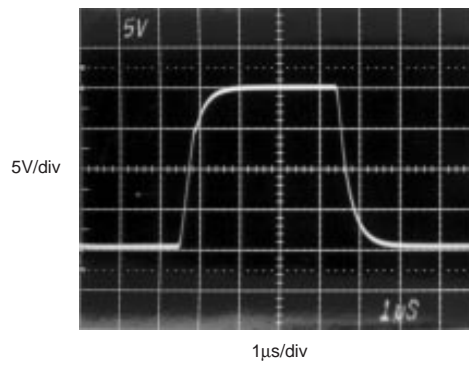
SMALL SIGNAL RESPONSE  
 $G = 10, C_L = 50\text{pF}$



LARGE SIGNAL RESPONSE  
 $G = 1, C_L = 50\text{pF}$



LARGE SIGNAL RESPONSE  
 $G = 10, C_L = 50\text{pF}$



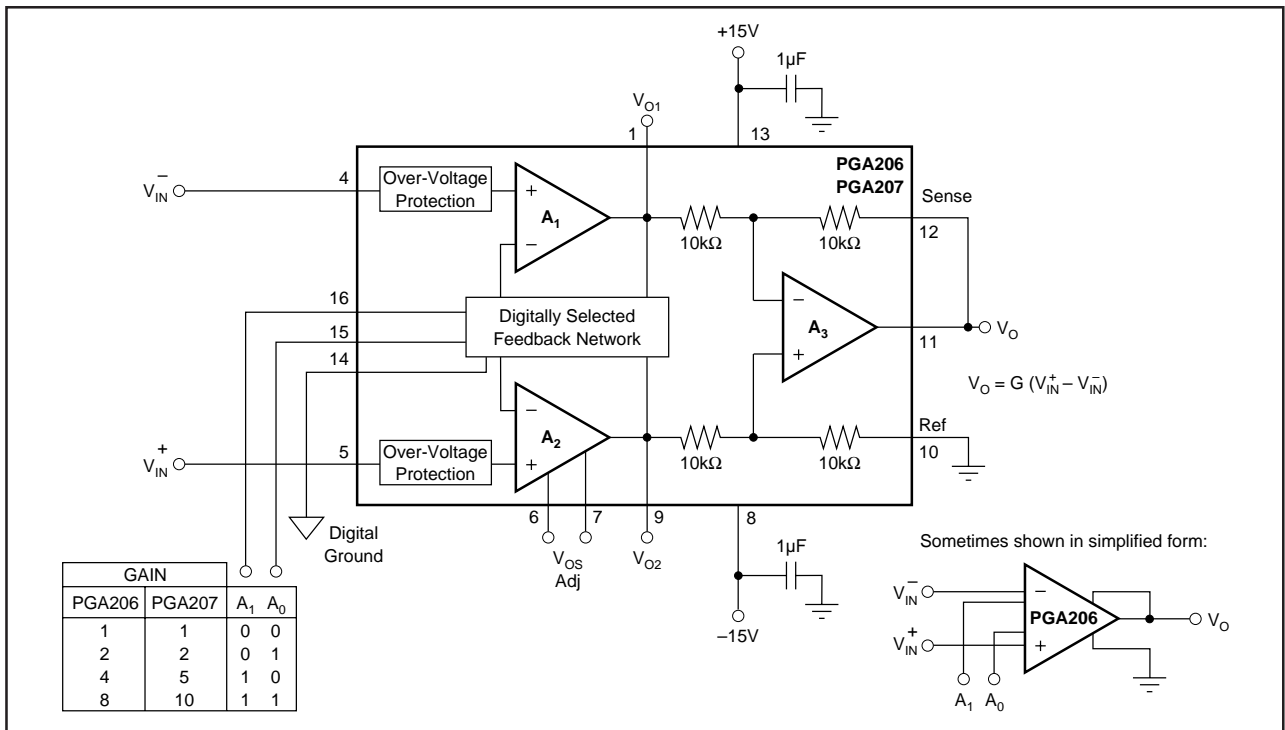


FIGURE 1. Basic Connections.

## APPLICATIONS INFORMATION

Figure 1 shows the circuit diagram for basic operation of the PGA206 or PGA207. Applications with noisy or high impedance power supplies may require decoupling capacitors close to the device pins as shown.

The output is referred to the output reference (Ref) terminal which is normally grounded. This must be a low-impedance connection to assure good common-mode rejection. A resistance of 2Ω in series with the Ref pin will cause a typical device to degrade to approximately 80dB CMR ( $G = 1$ ).

The output sense connection (pin 12) must be connected to the output terminal (pin 11) for proper operation. This connection can be made at the load for best accuracy.

### DIGITAL INPUTS

The digital inputs  $A_0$  and  $A_1$  select the gain according to the logic table in Figure 1. Logic “1” is defined as a voltage greater than 2V above digital ground potential (pin 14). Digital ground can be connected to any potential ranging from the  $V^-$  power supply to 4V less than  $V^+$ . Digital ground is usually equal to analog ground potential and the two grounds are connected at the power supply. The digital inputs interface directly to CMOS and TTL logic.

A nearly constant current of approximately 1.2mA flows in the digital ground pin. It is good practice to return digital ground through a separate connection path so that analog ground is not affected by the digital ground current.

The digital inputs,  $A_0$  and  $A_1$ , are not latched. A change in logic input immediately selects a new gain. Switching time of the logic is approximately 500ns. The time to respond to gain change is equal to switching time, plus the time it takes the amplifier to settle to a new output voltage in the newly selected gain (see settling time specifications).

Many applications use an external logic latch to acquire gain control data from a high speed digital bus. Using an external latch isolates the high speed digital bus from sensitive analog circuitry. Locate the digital latch as far as practical from analog circuitry to avoid coupling digital noise into analog input circuitry.

### OFFSET VOLTAGE ADJUSTMENT

The PGA206 and PGA207 are laser trimmed for very low offset voltage and drift. Many applications require no external offset adjustment. Multiplexed data acquisition systems generally correct offset by grounding the inputs of one channel to measure offset voltage. Stored offset values for each gain are then subtracted from subsequent readings of other channels.

Figure 2 shows optional offset voltage trim circuits. Offset voltage changes with the selected gain. To adjust for low offset voltage in all gains, both input and output offsets must be trimmed.

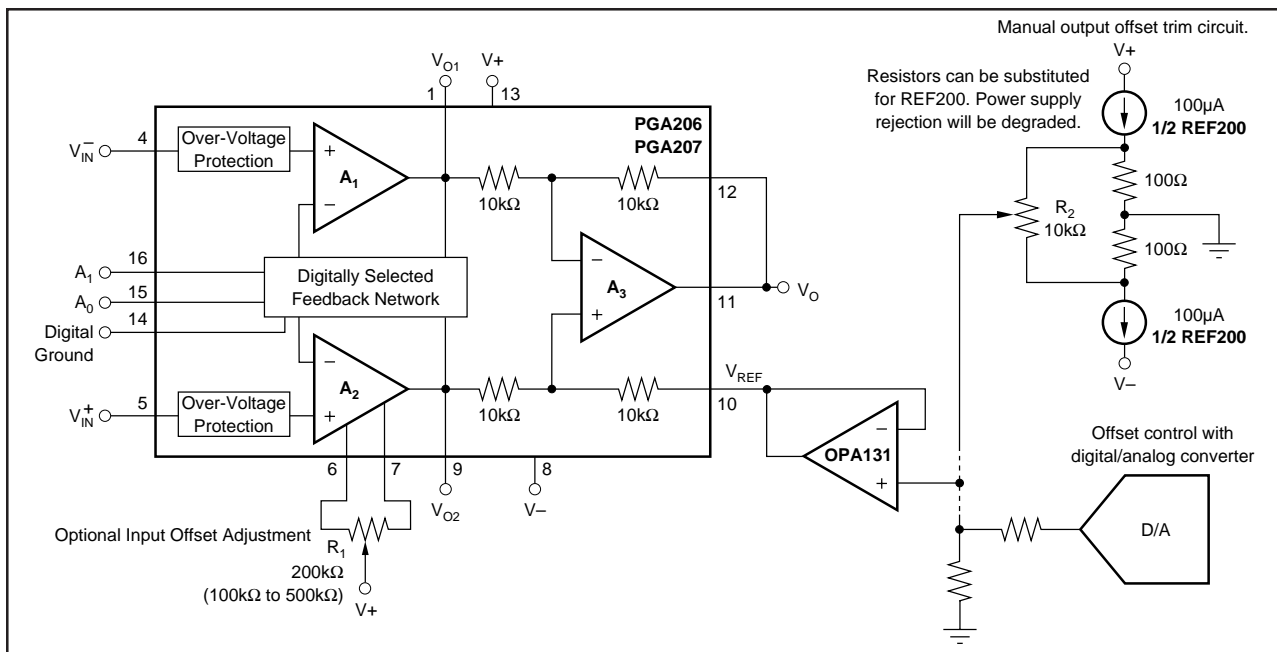


FIGURE 2. Optional Offset Voltage Trim Circuits.

$R_1$  adjusts the offset of the input amplifiers. Output stage offset is adjusted with  $R_2$ . A buffer op amp is required in the output offset adjustment circuit, as shown, to assure that the Ref pin is driven by a low source impedance. To adjust for low offset voltage in all gains, first adjust the input stage offset in the highest gain. Then adjust the output stage offset ( $R_2$ ) in  $G = 1$ . Iterate the adjustments for lowest offset in all gains.

Offset can also be adjusted under processor control with a D/A converter as shown in Figure 2. The D/A's output voltage can be reduced with a resistor divider for better adjustment resolution, but an op amp buffer following the divider is required to provide a low source impedance to the ref terminal. A different offset value is required for each amplifier gain.

**INPUT BIAS CURRENT RETURN PATH**

The FET inputs of the PGA206 and PGA207 provide extremely high input impedance. Still, a path must be provided for the bias current of each input. Figure 3 shows provisions for an input bias current path. Without a bias current return path, the inputs will float to a potential which exceeds the linear input voltage range and the input amplifiers will saturate.

If the differential source resistance is low, a bias current return path can be connected to only one input (see thermocouple example in Figure 3). With higher source impedance, using two resistors provides a balanced input with possible advantages of lower input offset voltage due to bias current and better common-mode rejection.

Many sources or sensors inherently provide a path for input bias current (e.g. the bridge sensor shown in Figure 3). These applications do not require additional resistor(s) for proper operation.

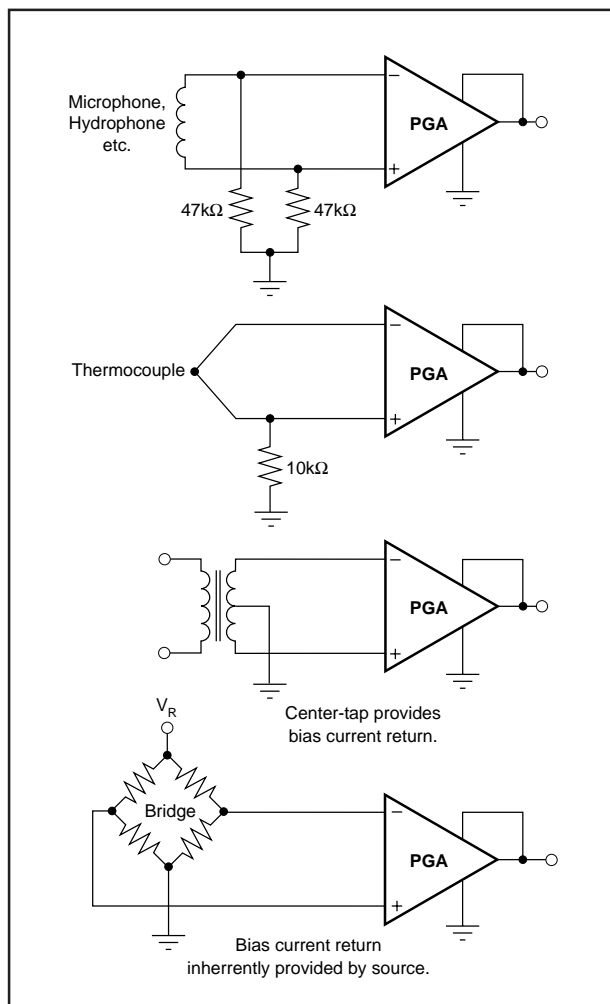


FIGURE 3. Providing an Input Bias Current Path.



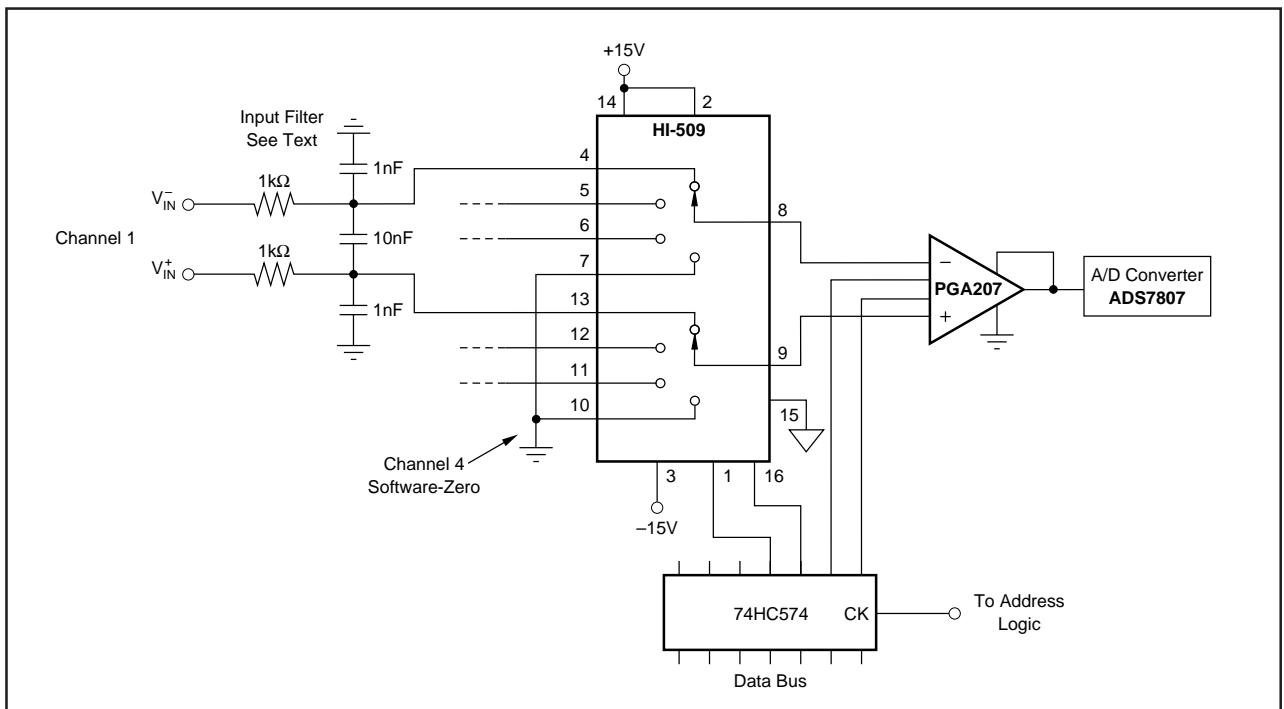


FIGURE 4. Multiplexed-Input Signal Acquisition System.

### INPUT COMMON-MODE RANGE

The linear input voltage range of the PGA206 and PGA207 is from approximately 2.3V below the positive supply voltage to 1.5V above the negative supply. As a differential input voltage causes output voltage to increase, however, the linear input range is limited by the output voltage swing of amplifiers  $A_1$  and  $A_2$ . So the linear common-mode input range is related to the output voltage of the complete amplifier. This behavior also depends on supply voltage—see performance curves “Input Common-Mode Range vs Output Voltage”.

Input overload can produce an output voltage that appears normal. For example, if an input overload condition drives both input amplifiers to their positive output swing limit, the difference voltage measured by the output amplifier will be near zero. The output of the PGA206 or PGA207 will be near 0V even though both inputs are overloaded. This condition can be detected by sensing the voltage on the  $V_{O1}$  and  $V_{O2}$  pins to determine whether they are within their linear operating range.

### INPUT PROTECTION

The inputs of the PGA206 and PGA207 are individually protected for voltages up to  $\pm 40V$ . For example, a condition of  $-40V$  on one input and  $+40V$  on the other input will not cause damage. Internal circuitry on each input provides low series impedance under normal signal conditions. If the input is overloaded, the protection circuitry limits the input current to a safe value. The typical performance curve “Input Overload V/I Characteristic” shows this behavior. The inputs are protected even if no power supply voltage is applied.

### MULTIPLEXED INPUTS

The PGA206 and PGA207 are ideally suited for multiple channel data acquisition. Figure 4 shows a typical application with an analog multiplexer used to connect one of four differential input signals to a single PGA207.

Careful circuit layout will help preserve accuracy of multiplexed signals. Run the inverting and non-inverting connections of each channel parallel to each other over a ground plane, or directly adjacent on top and bottom of the circuit board. Grounded guard traces between channels help reduce stray signal pick-up.

Multiplexed signals from high impedance sources require special care. As inputs are switched by the multiplexer, charge can be injected into the source, disturbing the input signal. Since many such sources involve slow signals, a simple R/C filter at the input can be used to dramatically reduce this effect. The arrangement shown filters both the differential signal and common-mode noise.

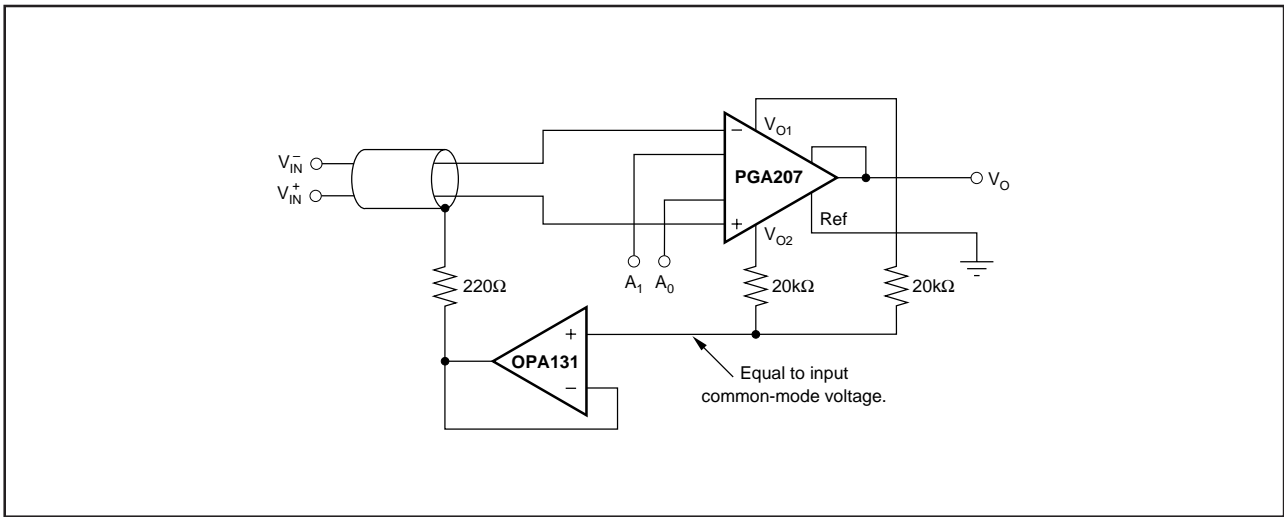


FIGURE 5. Shield Drive Circuit.

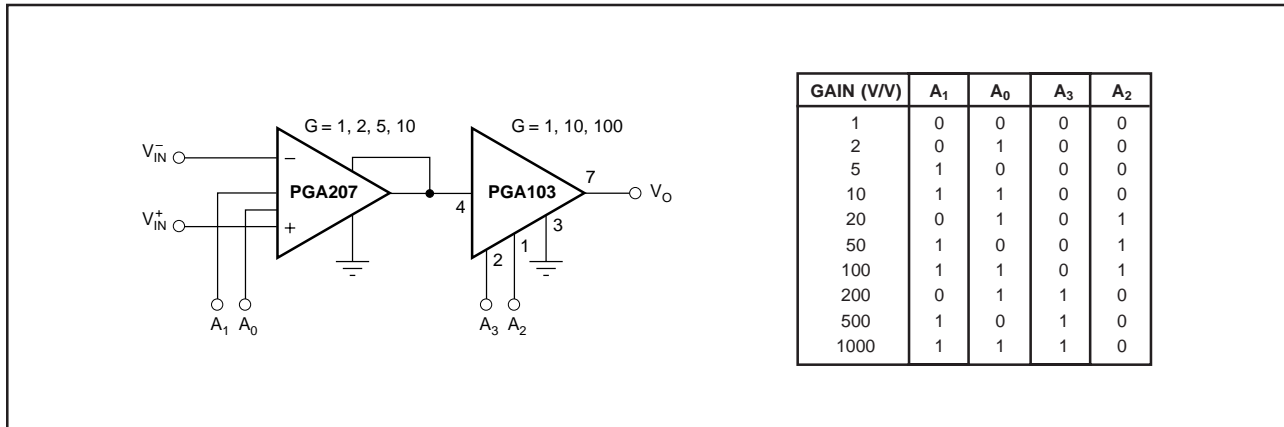


FIGURE 6. Wide Gain Range Programmable IA.

**PACKAGING INFORMATION**

| Orderable Device | Status <sup>(1)</sup> | Package Type | Package Drawing | Pins | Package Qty | Eco Plan <sup>(2)</sup> | Lead/Ball Finish | MSL Peak Temp <sup>(3)</sup> |
|------------------|-----------------------|--------------|-----------------|------|-------------|-------------------------|------------------|------------------------------|
| PGA206PA         | ACTIVE                | PDIP         | N               | 16   | 25          | Green (RoHS & no Sb/Br) | CU NIPDAU        | N / A for Pkg Type           |
| PGA206PAG4       | ACTIVE                | PDIP         | N               | 16   | 25          | Green (RoHS & no Sb/Br) | CU NIPDAU        | N / A for Pkg Type           |
| PGA206UA         | ACTIVE                | SOIC         | DW              | 16   | 40          | Green (RoHS & no Sb/Br) | CU NIPDAU        | Level-3-260C-168 HR          |
| PGA206UAG4       | ACTIVE                | SOIC         | DW              | 16   | 40          | Green (RoHS & no Sb/Br) | CU NIPDAU        | Level-3-260C-168 HR          |
| PGA207PA         | OBSOLETE              | PDIP         | N               | 16   |             | TBD                     | Call TI          | Call TI                      |
| PGA207UA         | ACTIVE                | SOIC         | DW              | 16   | 40          | Green (RoHS & no Sb/Br) | CU NIPDAU        | Level-3-260C-168 HR          |
| PGA207UA/1K      | ACTIVE                | SOIC         | DW              | 16   | 1000        | Green (RoHS & no Sb/Br) | CU NIPDAU        | Level-3-260C-168 HR          |
| PGA207UA/1KE4    | ACTIVE                | SOIC         | DW              | 16   | 1000        | Green (RoHS & no Sb/Br) | CU NIPDAU        | Level-3-260C-168 HR          |
| PGA207UAE4       | ACTIVE                | SOIC         | DW              | 16   | 40          | Green (RoHS & no Sb/Br) | CU NIPDAU        | Level-3-260C-168 HR          |

<sup>(1)</sup> The marketing status values are defined as follows:

**ACTIVE:** Product device recommended for new designs.

**LIFEBUY:** TI has announced that the device will be discontinued, and a lifetime-buy period is in effect.

**NRND:** Not recommended for new designs. Device is in production to support existing customers, but TI does not recommend using this part in a new design.

**PREVIEW:** Device has been announced but is not in production. Samples may or may not be available.

**OBSOLETE:** TI has discontinued the production of the device.

<sup>(2)</sup> Eco Plan - The planned eco-friendly classification: Pb-Free (RoHS), Pb-Free (RoHS Exempt), or Green (RoHS & no Sb/Br) - please check <http://www.ti.com/productcontent> for the latest availability information and additional product content details.

**TBD:** The Pb-Free/Green conversion plan has not been defined.

**Pb-Free (RoHS):** TI's terms "Lead-Free" or "Pb-Free" mean semiconductor products that are compatible with the current RoHS requirements for all 6 substances, including the requirement that lead not exceed 0.1% by weight in homogeneous materials. Where designed to be soldered at high temperatures, TI Pb-Free products are suitable for use in specified lead-free processes.

**Pb-Free (RoHS Exempt):** This component has a RoHS exemption for either 1) lead-based flip-chip solder bumps used between the die and package, or 2) lead-based die adhesive used between the die and leadframe. The component is otherwise considered Pb-Free (RoHS compatible) as defined above.

**Green (RoHS & no Sb/Br):** TI defines "Green" to mean Pb-Free (RoHS compatible), and free of Bromine (Br) and Antimony (Sb) based flame retardants (Br or Sb do not exceed 0.1% by weight in homogeneous material)

<sup>(3)</sup> MSL, Peak Temp. -- The Moisture Sensitivity Level rating according to the JEDEC industry standard classifications, and peak solder temperature.

**Important Information and Disclaimer:**The information provided on this page represents TI's knowledge and belief as of the date that it is provided. TI bases its knowledge and belief on information provided by third parties, and makes no representation or warranty as to the accuracy of such information. Efforts are underway to better integrate information from third parties. TI has taken and continues to take reasonable steps to provide representative and accurate information but may not have conducted destructive testing or chemical analysis on incoming materials and chemicals. TI and TI suppliers consider certain information to be proprietary, and thus CAS numbers and other limited information may not be available for release.

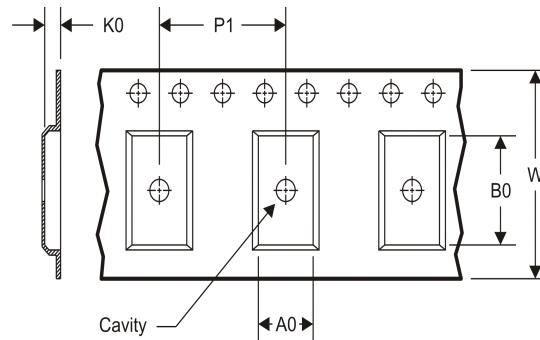
In no event shall TI's liability arising out of such information exceed the total purchase price of the TI part(s) at issue in this document sold by TI to Customer on an annual basis.

**TAPE AND REEL INFORMATION**

**REEL DIMENSIONS**



**TAPE DIMENSIONS**



|    |   |
|----|---|
| A0 | Dimension designed to accommodate the component width     |
| B0 | Dimension designed to accommodate the component length    |
| K0 | Dimension designed to accommodate the component thickness |
| W  | Overall width of the carrier tape                         |
| P1 | Pitch between successive cavity centers                   |

**TAPE AND REEL INFORMATION**

\*All dimensions are nominal

| Device      | Package Type | Package Drawing | Pins | SPQ  | Reel Diameter (mm) | Reel Width W1 (mm) | A0 (mm) | B0 (mm) | K0 (mm) | P1 (mm) | W (mm) | Pin1 Quadrant |
|-------------|--------------|-----------------|------|------|--------------------|--------------------|---------|---------|---------|---------|--------|---------------|
| PGA207UA/1K | SOIC         | DW              | 16   | 1000 | 330.0              | 16.4               | 10.75   | 10.7    | 2.7     | 12.0    | 16.0   | Q1            |

**TAPE AND REEL BOX DIMENSIONS**



\*All dimensions are nominal

| Device      | Package Type | Package Drawing | Pins | SPQ  | Length (mm) | Width (mm) | Height (mm) |
|-------------|--------------|-----------------|------|------|-------------|------------|-------------|
| PGA207UA/1K | SOIC         | DW              | 16   | 1000 | 367.0       | 367.0      | 38.0        |

## IMPORTANT NOTICE

Texas Instruments Incorporated and its subsidiaries (TI) reserve the right to make corrections, enhancements, improvements and other changes to its semiconductor products and services per JESD46C and to discontinue any product or service per JESD48B. Buyers should obtain the latest relevant information before placing orders and should verify that such information is current and complete. All semiconductor products (also referred to herein as "components") are sold subject to TI's terms and conditions of sale supplied at the time of order acknowledgment.

TI warrants performance of its components to the specifications applicable at the time of sale, in accordance with the warranty in TI's terms and conditions of sale of semiconductor products. Testing and other quality control techniques are used to the extent TI deems necessary to support this warranty. Except where mandated by applicable law, testing of all parameters of each component is not necessarily performed.

TI assumes no liability for applications assistance or the design of Buyers' products. Buyers are responsible for their products and applications using TI components. To minimize the risks associated with Buyers' products and applications, Buyers should provide adequate design and operating safeguards.

TI does not warrant or represent that any license, either express or implied, is granted under any patent right, copyright, mask work right, or other intellectual property right relating to any combination, machine, or process in which TI components or services are used. Information published by TI regarding third-party products or services does not constitute a license to use such products or services or a warranty or endorsement thereof. Use of such information may require a license from a third party under the patents or other intellectual property of the third party, or a license from TI under the patents or other intellectual property of TI.

Reproduction of significant portions of TI information in TI data books or data sheets is permissible only if reproduction is without alteration and is accompanied by all associated warranties, conditions, limitations, and notices. TI is not responsible or liable for such altered documentation. Information of third parties may be subject to additional restrictions.

Resale of TI components or services with statements different from or beyond the parameters stated by TI for that component or service voids all express and any implied warranties for the associated TI component or service and is an unfair and deceptive business practice. TI is not responsible or liable for any such statements.

Buyer acknowledges and agrees that it is solely responsible for compliance with all legal, regulatory and safety-related requirements concerning its products, and any use of TI components in its applications, notwithstanding any applications-related information or support that may be provided by TI. Buyer represents and agrees that it has all the necessary expertise to create and implement safeguards which anticipate dangerous consequences of failures, monitor failures and their consequences, lessen the likelihood of failures that might cause harm and take appropriate remedial actions. Buyer will fully indemnify TI and its representatives against any damages arising out of the use of any TI components in safety-critical applications.

In some cases, TI components may be promoted specifically to facilitate safety-related applications. With such components, TI's goal is to help enable customers to design and create their own end-product solutions that meet applicable functional safety standards and requirements. Nonetheless, such components are subject to these terms.

No TI components are authorized for use in FDA Class III (or similar life-critical medical equipment) unless authorized officers of the parties have executed a special agreement specifically governing such use.

Only those TI components which TI has specifically designated as military grade or "enhanced plastic" are designed and intended for use in military/aerospace applications or environments. Buyer acknowledges and agrees that any military or aerospace use of TI components which have **not** been so designated is solely at the Buyer's risk, and that Buyer is solely responsible for compliance with all legal and regulatory requirements in connection with such use.

TI has specifically designated certain components which meet ISO/TS16949 requirements, mainly for automotive use. Components which have not been so designated are neither designed nor intended for automotive use; and TI will not be responsible for any failure of such components to meet such requirements.

### Products

|                        |  |
|------------------------|--|
| Audio                  | <a href="http://www.ti.com/audio">www.ti.com/audio</a>                               |
| Amplifiers             | <a href="http://amplifier.ti.com">amplifier.ti.com</a>                               |
| Data Converters        | <a href="http://dataconverter.ti.com">dataconverter.ti.com</a>                       |
| DLP® Products          | <a href="http://www.dlp.com">www.dlp.com</a>   |
| DSP                    | <a href="http://dsp.ti.com">dsp.ti.com</a>   |
| Clocks and Timers      | <a href="http://www.ti.com/clocks">www.ti.com/clocks</a>                             |
| Interface              | <a href="http://interface.ti.com">interface.ti.com</a>                               |
| Logic                  | <a href="http://logic.ti.com">logic.ti.com</a>                                       |
| Power Mgmt             | <a href="http://power.ti.com">power.ti.com</a>                                       |
| Microcontrollers       | <a href="http://microcontroller.ti.com">microcontroller.ti.com</a>                   |
| RFID                   | <a href="http://www.ti-rfid.com">www.ti-rfid.com</a>                                 |
| OMAP Mobile Processors | <a href="http://www.ti.com/omap">www.ti.com/omap</a>                                 |
| Wireless Connectivity  | <a href="http://www.ti.com/wirelessconnectivity">www.ti.com/wirelessconnectivity</a> |

### Applications

|                               |  |
|-------------------------------|--|
| Automotive and Transportation | <a href="http://www.ti.com/automotive">www.ti.com/automotive</a>                         |
| Communications and Telecom    | <a href="http://www.ti.com/communications">www.ti.com/communications</a>                 |
| Computers and Peripherals     | <a href="http://www.ti.com/computers">www.ti.com/computers</a>                           |
| Consumer Electronics          | <a href="http://www.ti.com/consumer-apps">www.ti.com/consumer-apps</a>                   |
| Energy and Lighting           | <a href="http://www.ti.com/energy">www.ti.com/energy</a>                                 |
| Industrial                    | <a href="http://www.ti.com/industrial">www.ti.com/industrial</a>                         |
| Medical                       | <a href="http://www.ti.com/medical">www.ti.com/medical</a>                               |
| Security                      | <a href="http://www.ti.com/security">www.ti.com/security</a>                             |
| Space, Avionics and Defense   | <a href="http://www.ti.com/space-avionics-defense">www.ti.com/space-avionics-defense</a> |
| Video and Imaging             | <a href="http://www.ti.com/video">www.ti.com/video</a>                                   |

**TI E2E Community** [e2e.ti.com](http://e2e.ti.com)