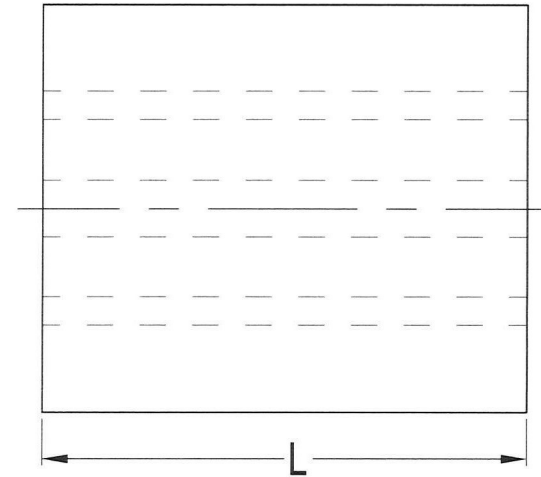
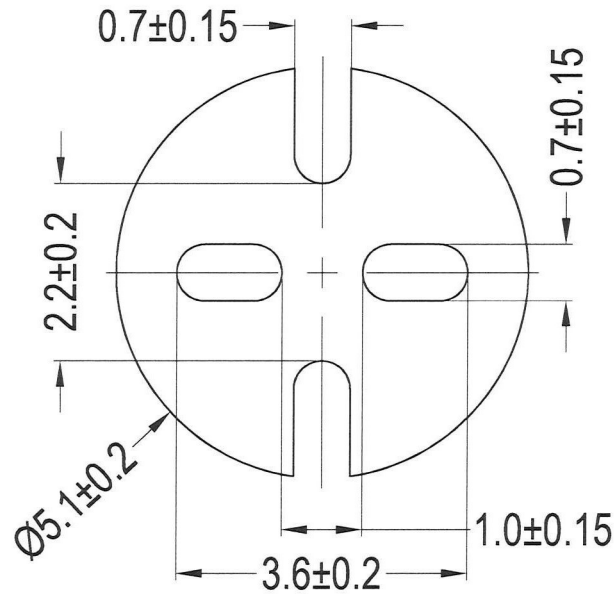


Part No.	Part Name	L	Fits LED
8GE04V80555		2.0	
8GE04V80556		4.0	
8GE04V80557		5.0	
8GE04V80558		6.0	
8GE04V80559		7.0	
8GE04V80560		8.0	
8GE04V80561		9.0	
8GE04V80562		10.0	
8GE04V80563		11.0	
8GE04V80564		12.0	
8GE04V80565		13.0	
8GE04V80566		14.0	
8GE04V80567		15.0	
8GE04V80568		16.0	
		16.5	
8GE04V80569		17.0	
8GE04V80570		18.0	
8GE04V80571		19.0	
8GE04V80572		20.0	
8GE04V80573		21.0	
8GE04V80574		22.0	
8GE04V80575		23.0	
8GE04V80576		24.0	
8GE04V80577		26.0	
8GE04V80578		27.0	
8GE04V80579		28.0	
8GE04V80580		29.0	



Notes:

1. Material: PVC Flame Retardant;
2. Color: Black;
3. RoHS Compliant;

						DATE	2015-8-18	DIMENSION		TOLERANCE	
TITLE	HIGH TEMPERATURE METRIC LED SPACER					SCALE	FIT	L ≤ 4	±0.10		
PART NAME		MOLD NO.		DRAW	ZHR	UNIT	MM	4 < L ≤ 15	±0.20		
PART NO.	SEE TABLE	MATERIAL	SEE NOTES	DESIGN	ZHR	VERSION	A0	15 < L ≤ 50	±0.30		
DWG NO.		COLOR	SEE NOTES	APPROVAL	FDL	VIEW		50 < L ≤ 100	±0.40		