

Model No.	OST08WG01GD- XXXXT8E1A
REV.	C1

## T08 Flat AUTO LED

### Descriptions:

- Green light source, fast response
- Long life, easy installation
- Voltages available 12VDC
- LED model number: XXXXT8E1A

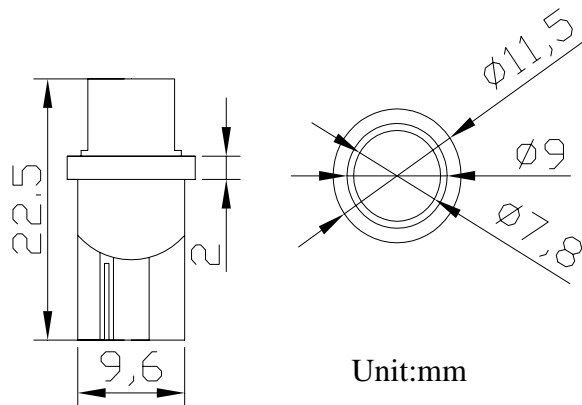
### Features:

- Available in red, yellow, green, blue, white
- High temperature and environmental protection PA material for lamp holder
- Low power consumption
- Energy saving
- Eye protection, no stroboflash, no radiation
- Long life

### Application:

- Dashboard Light
- Width-indicator Lamp
- Signal Light

### Product Picture and Dimensions:





Model No.	OST08WG01GD- XXXXT8E1A
REV.	C1

### Device Selection Guide

Module No.	Color	Wavelength (Typ.)	Intensity / Per LED (Typ.)	Overall luminous flux
R5RUT8E1A	Red	625 nm	420mcd	1.0lm
G5DUT8E1A	Green	525 nm	3100mcd	3.5lm
B5YUT8E1A	Blue	470 nm	770mcd	0.6lm
Y5RUT8E1A	Yellow	590 nm	420mcd	1.0lm
W5YKT8E1A	White	X=0.27,Y=0.28	1500mcd	3.0lm

### Absolute Maximum Ratings(Ta=25 )

Items	Symbol	Values	Units
Operating supply range(DC)	V <sub>idc</sub>	16	V
Input Current (DC)	I <sub>i</sub>	30	mA
Power Dissipation	P <sub>a</sub>	0.48	W
Operating Temperature	T <sub>ope</sub>	-10 ~ +40	DegC
Storage Temperature	T <sub>stg</sub>	-20 ~ +80	DegC

### Typical Performance (Ta=25 )

Items	Symbol	Min.	Typ.	Max.	Units
LED Module Power	P <sub>m</sub>	-	0.24	0.48	w
Input Voltage(DC)	V <sub>i</sub>	-	12	16	V
Product input Current	I <sub>f</sub>	-	20	30	mA
Beam Pattern	BP	-	140	-	Deg
Total diameter of PCB	L <sub>mod.</sub>	-	22.5	-	mm
Net Weight	Wei.	---	1.0	---	g