

| |
|--|
| 0.56 Inch Dual Digit SMD Display |
| OSK2056A-IX (Common Anode type) |
| OSK2056A-LX (Common Cathode type) |

■ **Features**

- 0.56 Inch Two Digit Display
- Long lifetime operation
- IC compatible
- Low power dissipation
- Gray surface & white segment or dot
- RoHS compliant

■ **Applications**

- Counting device
- Clock

■ **Absolute Maximum Rating** (Ta=25°C)

| Item | Symbol | Value | | Unit |
|--|------------------|------------|-------------|------|
| | | W/B/TG | YG/Y/O/R/RA | |
| DC Forward Current | I _F | 25 | 25 | mA |
| Pulse Forward Current* | I _{FP} | 80 | 80 | mA |
| Reverse Voltage | V _R | 5 | 5 | V |
| Power Dissipation | P _t | 90 | 65 | mW |
| Operating Temperature | T _{opr} | -30~ +85 | | °C |
| Storage Temperature | T _{stg} | -40~ +100 | | °C |
| Lead Soldering Temperature(1.6mm Below body) | T _{sol} | 260°C/3sec | | °C |

*Pulse width Max.10ms Duty ratio max 1/10

*Reflow time Max.3seconds

■ **Electrical -Optical Characteristics** (Ta=25°C)

| Part Number | Color | | V _F (V) | | | I _R (μA) | I _v (mcd) | | | λD(nm) | | |
|-------------------|--------------|----|----------------------|------|------|---------------------|----------------------|------|------|----------------------|-------|--------|
| | | | Min. | Typ. | Max. | Max. | Min. | Typ. | Max. | Min. | Typ. | Max. |
| | | | I _F =20mA | | | V _R =5V | I _F =10mA | | | I _F =20mA | | |
| OSK2056A-IW(LW) | White | W | - | 3.1 | 3.6 | 100 | 30 | 65 | 100 | 6000K | 8000K | 10000K |
| OSK2056A-IB(LB) | Blue | B | - | 3.1 | 3.6 | 100 | 8 | 16 | 25 | 460 | 465 | 475 |
| OSK2056A-IG(LG) | True green | TG | - | 3.1 | 3.6 | 100 | 10 | 24 | 35 | 510 | 520 | 530 |
| OSK2056A-IYG(LYG) | Yellow green | YG | - | 2.1 | 2.6 | 100 | 5 | 13 | 20 | 565 | 570 | 575 |
| OSK2056A-IY(LY) | Yellow | Y | - | 2.1 | 2.6 | 100 | 8 | 16 | 25 | 585 | 590 | 595 |
| OSK2056A-IO(LO) | Orange | O | - | 2.1 | 2.6 | 100 | 8 | 16 | 25 | 600 | 605 | 610 |
| OSK2056A-IR(LR) | Red | R | - | 2.1 | 2.6 | 100 | 5 | 13 | 25 | 625 | 630 | 640 |

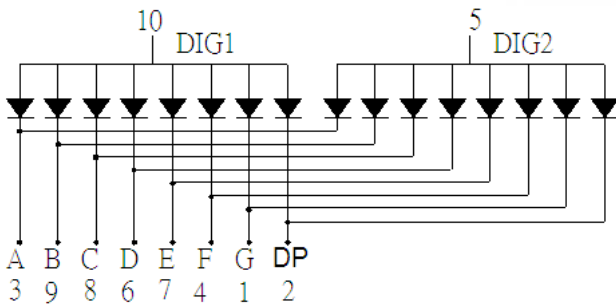
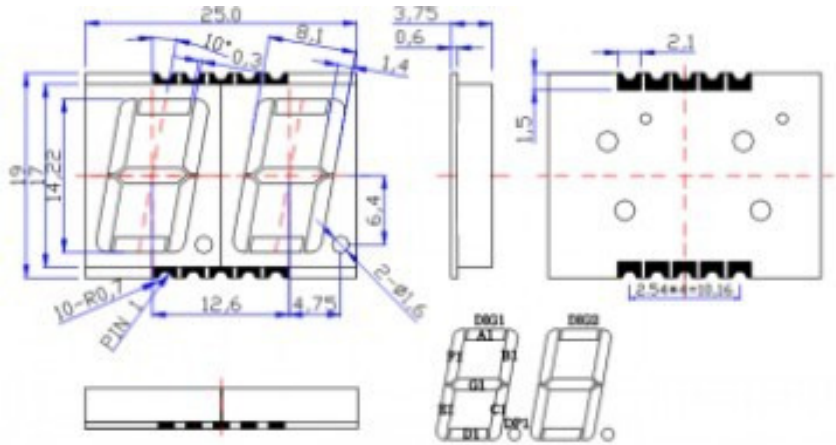
*1 Tolerance of dominant wavelength is ±1nm

*2 Tolerance of luminous intensity is ±15%

■ Package dimensions

**OSK2056A-IX
(Common Anode type)**

Note:
1,Unit : mm(Tolerance:±0.25mm unless
otherwise noted)



**OSK2056A-LX
(Common Cathode type)**

Note:
1,Unit : mm(Tolerance:±0.25mm unless
otherwise noted)

