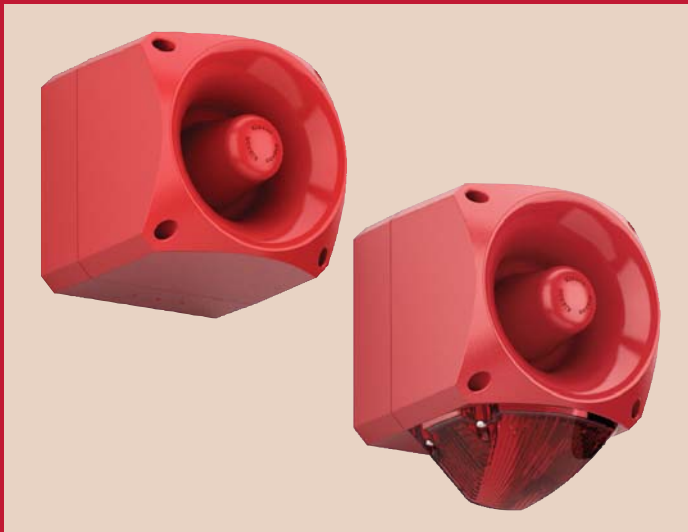


## Nexus 120 (DC)



### Features

- High sound output: 120dB (max); 120dB (typical)
- Quarter turn fasteners for ease of installation
- First-fix, wire to base technology
- EN54-3 compliant
- 5J xenon or high efficiency LED beacon option
- IP66 rated
- Volume control for greater flexibility
- Three alarm stages
- Low in-rush current (LED only)
- Static/flashing mode (LED only)

### Overview

The Nexus 120 is a high output sounder designed for industrial, fire and marine use.

Connections are made to the base during the initial wiring phase which results in faster and more reliable installation. In addition, the head "clicks into place" and is fixed by quarter turn fasteners avoiding the need to screw up four individual screws thus enabling faster installation and accurate seal compression for weatherproofing.

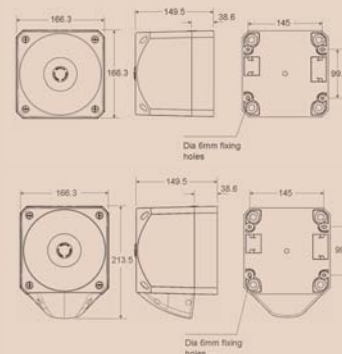
IP66 as standard means that Nexus can be installed in almost any location.

Either xenon or high efficiency LED beacons can be added to the Nexus sounder. The combination of powerful sounder and high output beacon ensures a very effective audio-visual signal.

105dB and 110dB units, as well as AC variants, are also available.

### Applications

- Fire alarm; conveyors; process control alarm; cranes; moving machinery; general signalling; marine



- Fire
- Security
- Industrial
- Railway/Marine
- Hazardous Area
- Public Warning

| Part No.  | Colours                            | Audibility at 1m<br>(tone dependent) | Tones | Voltage   | Current   |                 |
|-----------|------------------------------------|--------------------------------------|-------|-----------|-----------|-----------------|
|           |                                    |                                      |       |           | Sounder   | Sounder/Beacon  |
| 18-980545 | Red                                | 120dB (A)                            | 64    | 10-60V DC | 120-550mA |                 |
| 18-980546 | Red body, red lens, xenon beacon   | 120dB (A)                            | 64    | 10-60V DC | 120-550mA | 250mA (average) |
| 18-980547 | Red body, amber lens, xenon beacon | 120dB (A)                            | 64    | 10-60V DC | 120-550mA | 250mA (average) |
| 18-980591 | Red body, clear lens, xenon beacon | 120dB (A)                            | 64    | 10-60V DC | 120-550mA | 250mA (average) |
| 18-980669 | Red body, blue lens, xenon beacon  | 120dB (A)                            | 64    | 10-60V DC | 120-550mA | 250mA (average) |
| 18-980667 | Red body, green lens, xenon beacon | 120dB (A)                            | 64    | 10-60V DC | 120-550mA | 250mA (average) |
| 18-980635 | Red body, red lens, LED beacon     | 120dB (A)                            | 64    | 10-60V DC | 120-550mA | 18mA / 65mA**   |
| 18-980636 | Red body, amber lens, LED beacon   | 120dB (A)                            | 64    | 10-60V DC | 120-550mA | 18mA / 65mA**   |
| 18-980671 | Red body, clear lens, LED beacon   | 120dB (A)                            | 64    | 10-60V DC | 120-550mA | 18mA / 65mA**   |
| 18-980673 | Red body, blue lens, LED beacon    | 120dB (A)                            | 64    | 10-60V DC | 120-550mA | 18mA / 65mA**   |
| 18-980672 | Red body, green lens, LED beacon   | 120dB (A)                            | 64    | 10-60V DC | 120-550mA | 18mA / 65mA**   |

\* Depends on tone selected and supply voltage

\*\* Flashing/static current consumption figures

IP Rating: IP66 Rating: Continuous Frequency: See Tone Table Operating Temp: -25°C to +70°C  
Cable Entries: 5 Weight: Sounder 1.8kg; Sounder Beacon 2kg