

FEATURES AND SPECIFICATIONS

Features and Benefits

- Intermateable, intermountable and interchangeable with industry-standard versions
- Cross tested to assure industry compatibility
- Positive locks
- Fully isolated contacts
- Circuit ID grooves to reduce assembly errors
- Anti-stress positioning tabs to reduce breakage

Reference Information

Product Specification: PS-42022-0001

Packaging: Bag

UL File No.: E29179

CSA File No.: LR19980

Mates With: [42002](#) header, [42022](#) cap and [43255](#) header

Designed In: Inches

Electrical

Voltage: 600V

Current:

Circuit	1	2	3	4	6	9	12	15
Amperes	13.5	13.5	13.5	13.5	11.0	11.0	11.0	11.0

Dielectric Withstanding Voltage: 2900V (Header),
5000V (Wire-To-Wire)

Insulation Resistance: 1000 MΩ min.

Mechanical

Contact Retention to Housing: 66.88N (15 lb)

Physical

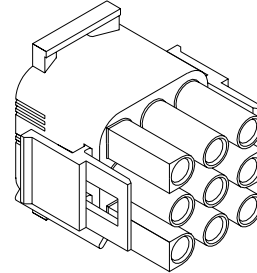
Plug Housing: Nylon, 94V-2 or 94V-0

Operating Temperature: -55 to +105°C

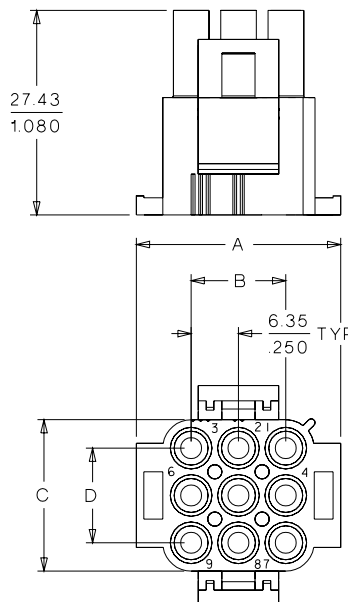


2.13mm (.084") Diameter MLX Pin and Socket Plug

42021



CATALOG DRAWING (FOR REFERENCE ONLY)



ORDERING INFORMATION AND DIMENSIONS

Circuits	Amperes/Circuit* (Max.)	Order No.			Dimension			
		94V-2 (White)	94V-0 (Brick Red)	94V-0 (White)	A	B	C	D
1	13.5	• 50-84-1010	• 50-84-1011	50-84-1015	7.37 (.290)		7.37 (.290)	
2	13.5	• 50-84-1020	• 50-84-1021	50-84-1025	14.73 (.580)		13.97 (.550)	6.35 (.250)
3	13.5	• 50-84-1030	• 50-84-1031	50-84-1035	14.73 (.580)		20.32 (.800)	12.70 (.500)
4	13.5	• 50-84-1040	• 50-84-1041	50-84-1045	14.73 (.580)		26.67 (1.050)	19.05 (.750)
6	11	• 50-84-1060	• 50-84-1061	50-84-1065	27.43 (1.080)	12.70 (.500)	13.97 (.550)	6.35 (.250)
9	11	• 50-84-1090	• 50-84-1091	50-84-1095	27.43 (1.080)	12.70 (.500)	20.32 (.800)	12.70 (.500)
12	11	50-84-1120	50-84-1121	50-84-1125	27.43 (1.080)	12.70 (.500)	26.67 (1.050)	19.05 (.750)
15	11	50-84-1150	50-84-1151	50-84-1155	27.43 (1.080)	12.70 (.500)	33.02 (1.300)	25.40 (1.000)

* US Standard Product, available through Molex franchised distributors