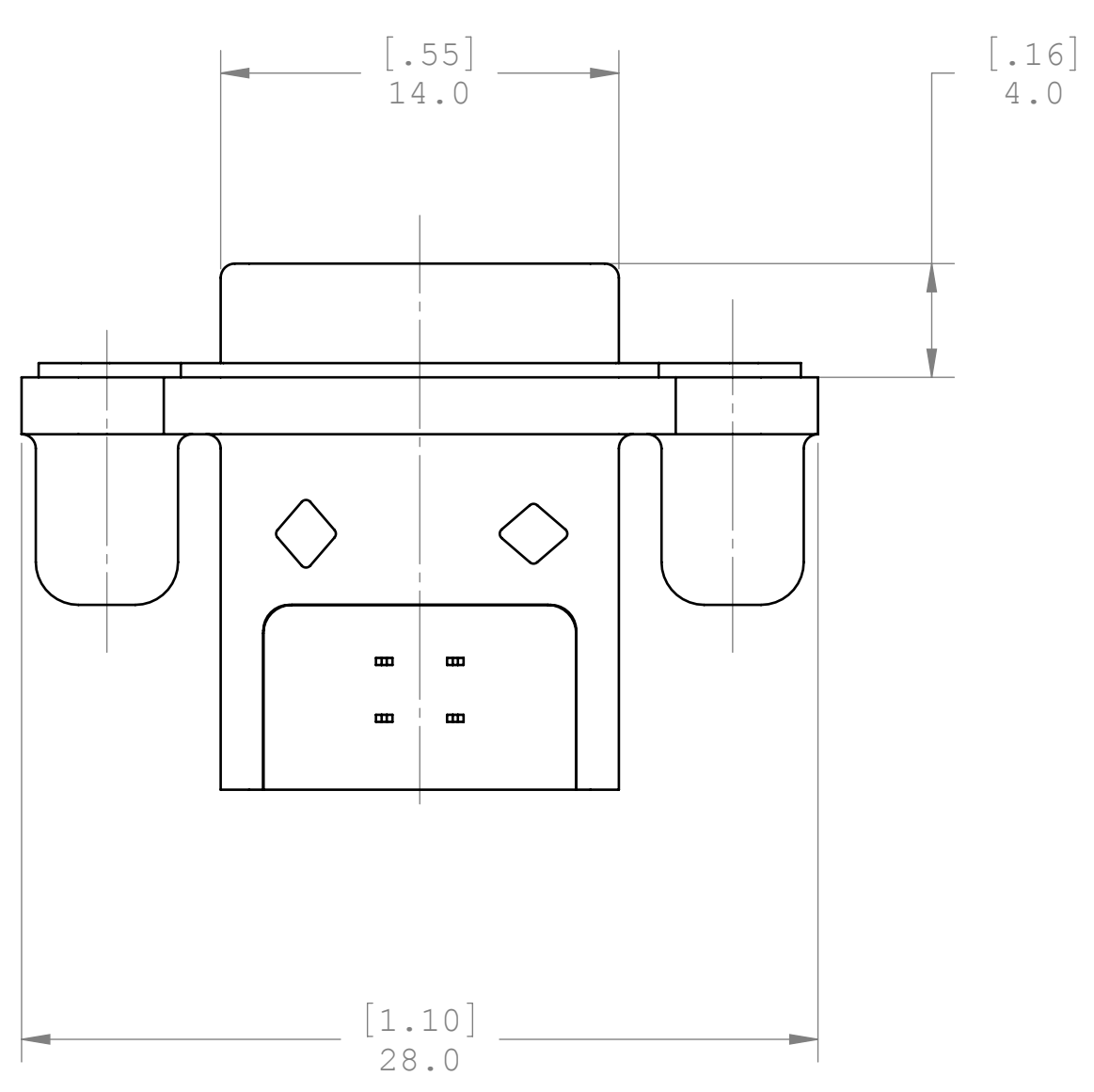
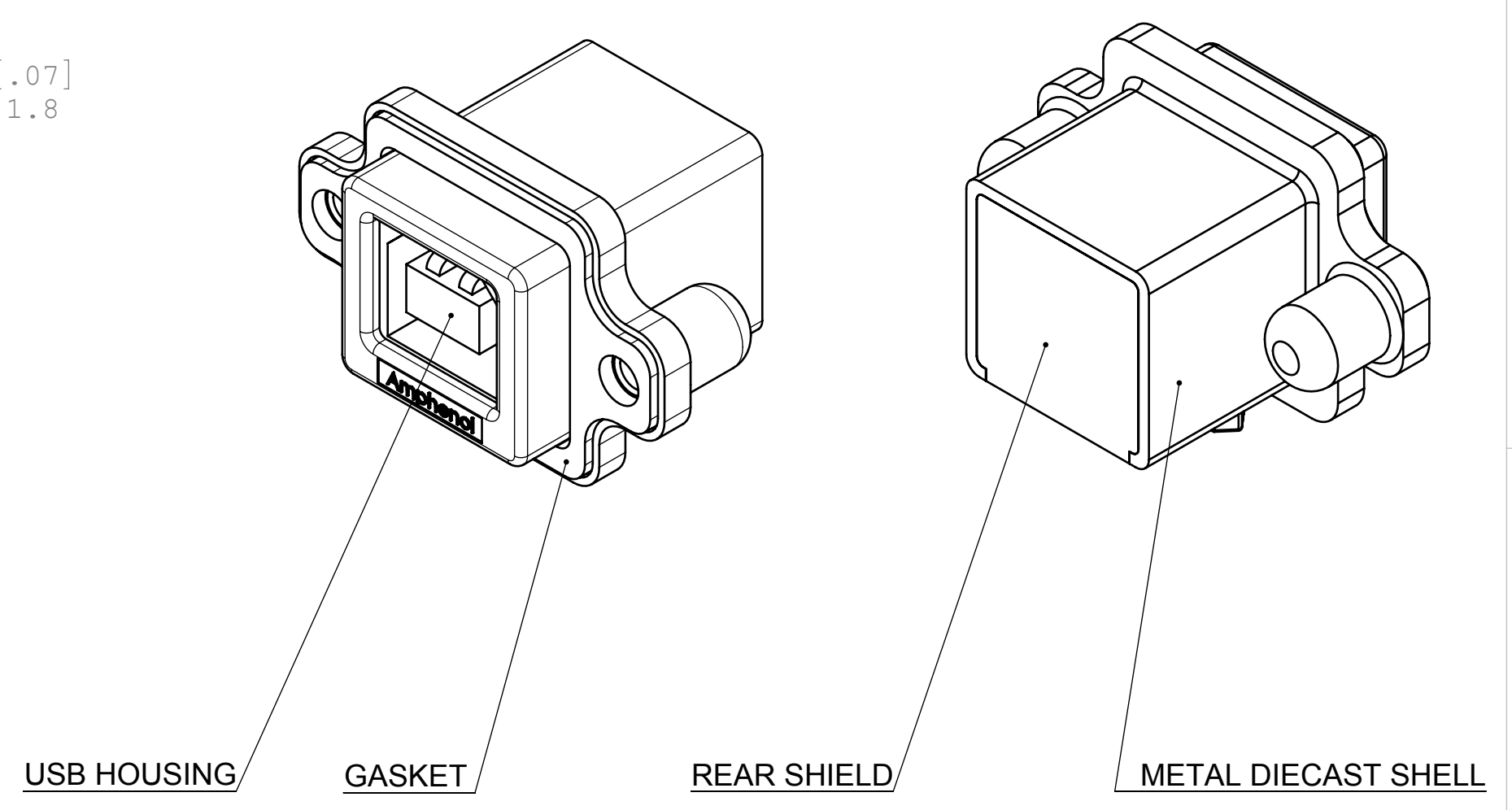
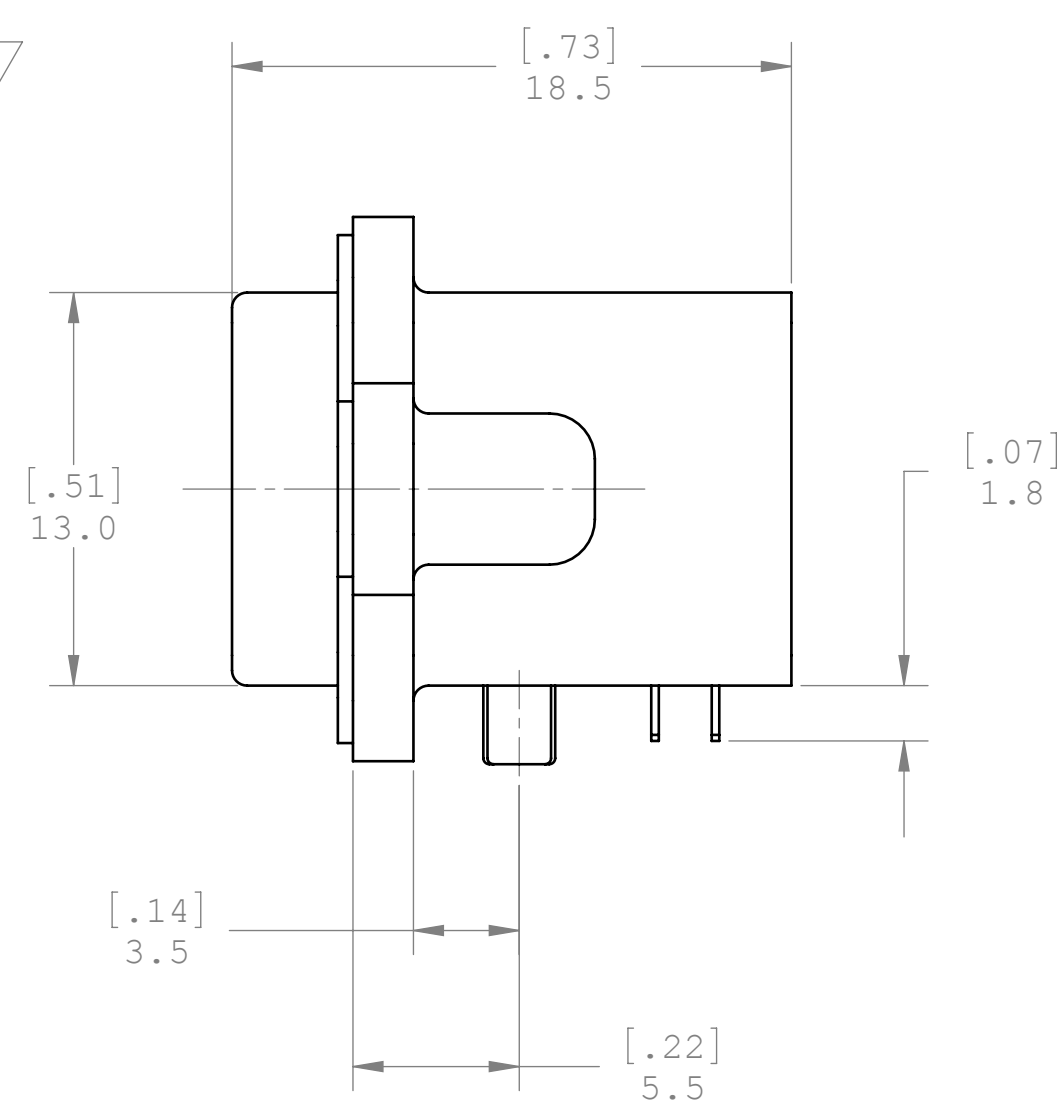
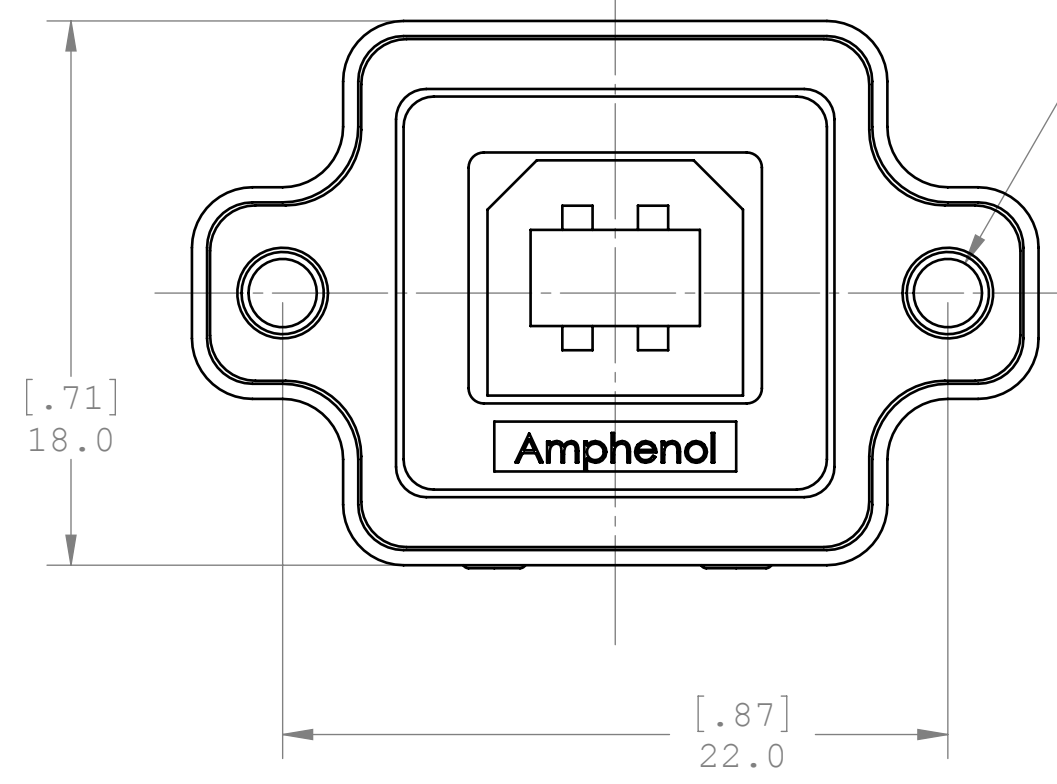


FOR THREAD TYPE SEE TABLE 1, PAGE 3,
 ∇ 4.50[0.177]
 2 HOLES

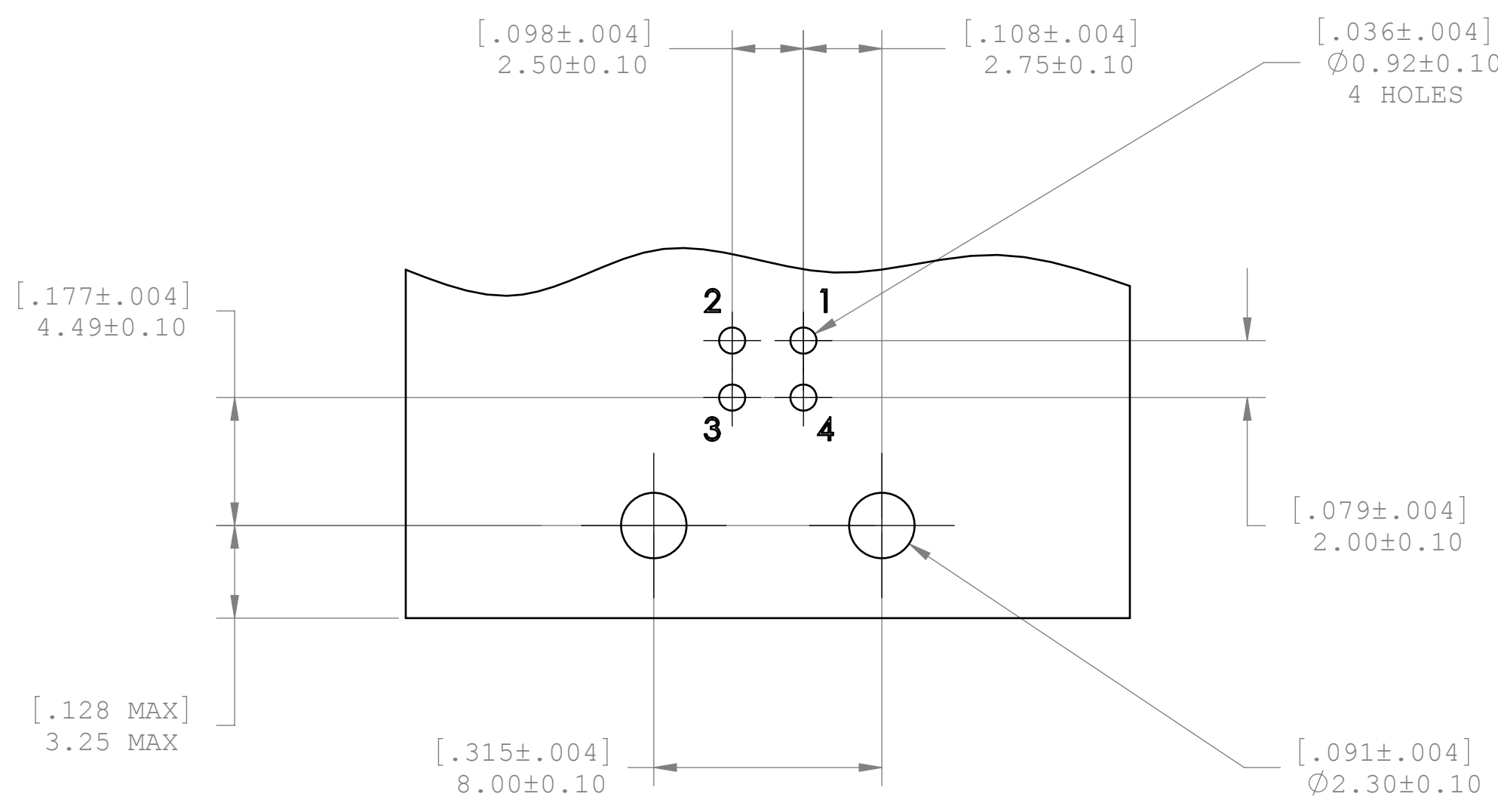


NOTES:

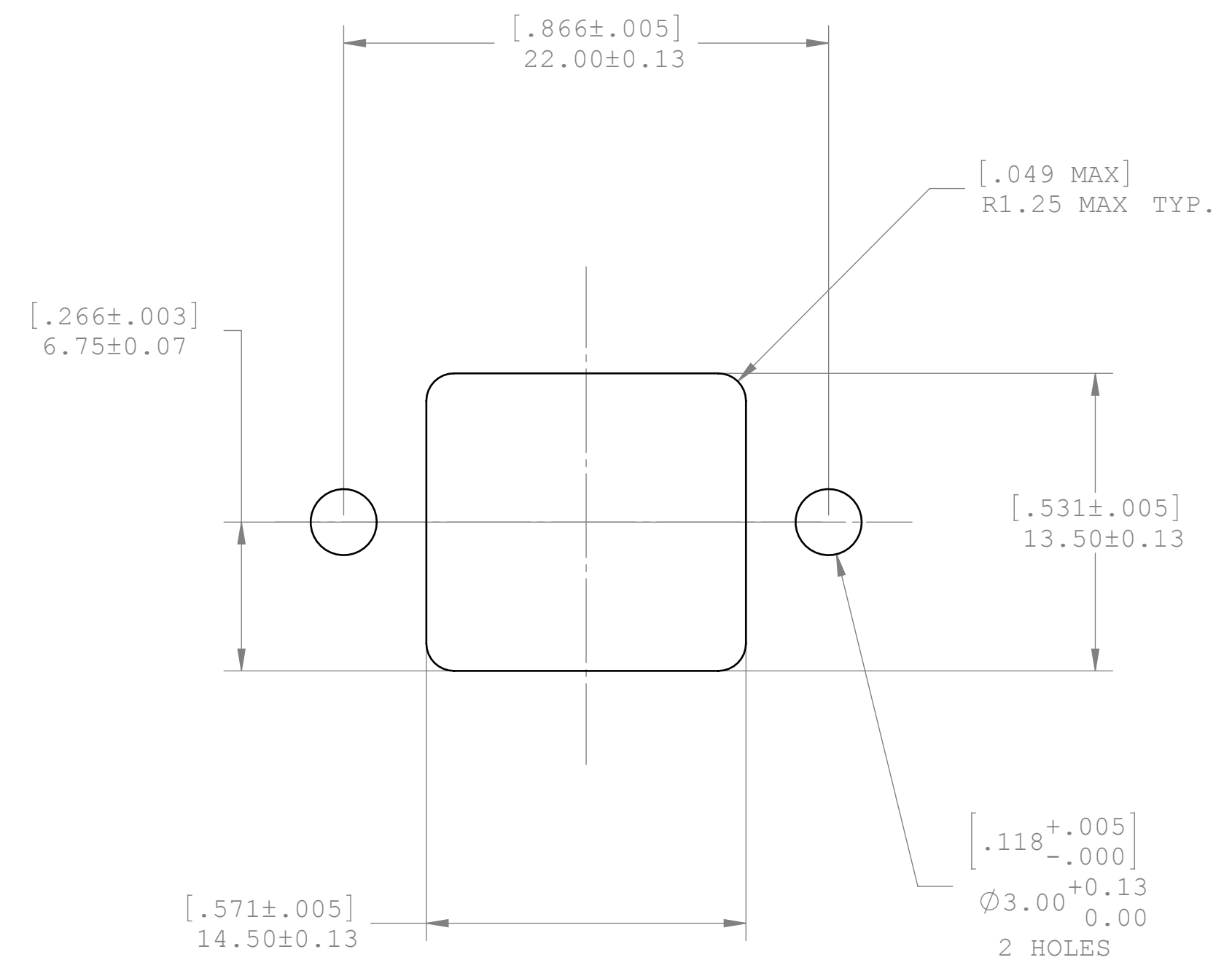
1. MATERIAL:
 - SHELL: ZINC ALLOY DIE CAST, NICKEL PLATED.
 - HOUSING: HIGH TEMPERATURE THERMOPLASTIC, GLASS FILLED. FLAMMABILITY RATING UL94V-0, COLOR - BLACK.
 - CONTACTS: PHOSPHOR BRONZE, GOLD OVER NICKEL PLATED.
 - GASKET: SILICONE RUBBER.
2. FEATURE: SEALED CONNECTOR IN THE MATED AND UNMATED CONDITIONS.
3. OPERATING TEMPERATURE: -40°C TO +85°C.
4. ENVIRONMENT PERFORMANCE: IP67.
5. PART IS ROHS COMPLIANT PER EU DIRECTIVE 2002/95/EC AND AMENDMENTS.
6. SEE TABLE 1, PAGE 3 FOR SPECIFIC PART NUMBER.



UNLESS OTHERWISE SPECIFIED DIMENSIONS ARE IN MILLIMETER TOLERANCES ARE:		APPROVALS	DATE	Amphenol Canada Corp.	
		DRAWN S.SEMENOV	FEB19/07		
DECIMALS .XX ± .10 .X ± .25	ANGLES ± 1°	DESIGNED S.SEMENOV	FEB19/07	TITLE RUGGED USB, TYPE B, RIGHT ANGLE	
MATERIAL AND FINISH		CHECKED			
REF.		QA APP'D		SIZE C	DWG. NO. P-MUSB-D111-XX
CODE IDENT. NO.		IE APP'D		SCALE 4:1	PROJECT MUSB
		DWG APP'D A.GREEN	FEB19/07		REV. A
					SHEET 1 OF 3



RECOMMENDED P.C.B. LAYOUT



RECOMMENDED PANEL CUTOUT



UNLESS OTHERWISE SPECIFIED DIMENSIONS ARE IN MILLIMETER TOLERANCES ARE:		APPROVALS	DATE	Amphenol Canada Corp.	
DECIMALS	ANGLES	DRAWN			
.XX ± .10	± 1°	S.SEMENOV	FEB19/07	TITLE RUGGED USB, TYPE B, RIGHT ANGLE	
.X ± .25		DESIGNED			
MATERIAL AND FINISH		S.SEMENOV	FEB19/07	SIZE	DWG. NO.
		CHECKED		C	P-MUSB-D111-XX
		QA APP'D		SCALE	REV.
		IE APP'D		4:1	A
REF.		DWG APP'D	FEB19/07	PROJECT	SHEET
CODE IDENT. NO.		A.GREEN		MUSB	2 OF 3

DO NOT SCALE DRAWING
 THIS DOCUMENT CONTAINS PROPRIETARY INFORMATION AND SUCH INFORMATION MAY NOT BE DISCLOSED TO OTHERS FOR ANY PURPOSE OR USED FOR MANUFACTURING PURPOSES WITHOUT PERMISSION FROM AMPHENOL CANADA CORP.

DUST COVER,
FOR MORE INFORMATION SEE
P-MUSB-2D11-004_DUST-COVER

SINGLE MUSB,
TYPE B,
RECEPTACLE

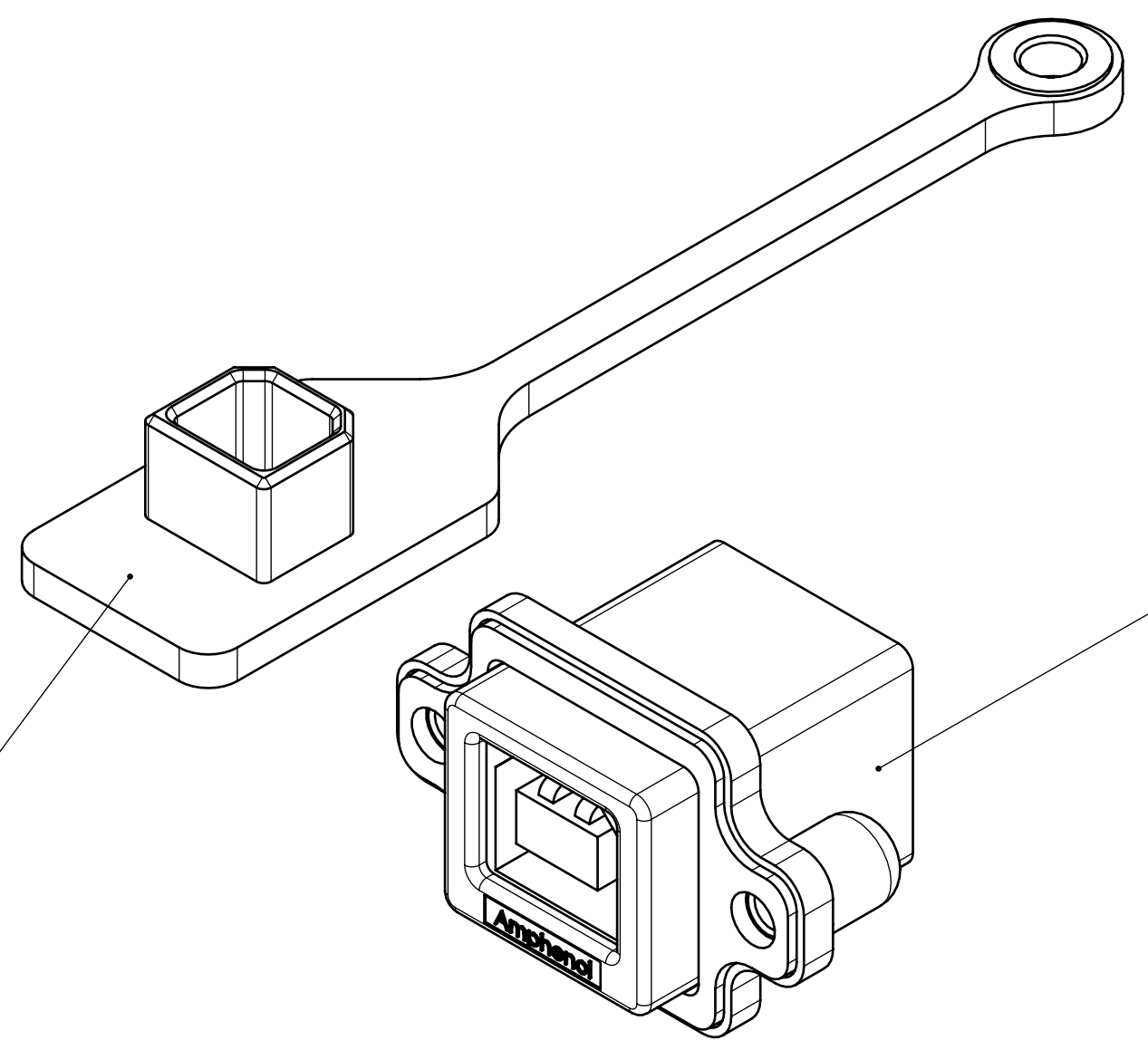


TABLE 1		
PART NUMBER	THREAD TYPE	DUST COVER
MUSB-D111-30	4-40 UNC	NO
MUSB-D111-31	4-40 UNC	YES
MUSB-D111-M0	M3	NO
MUSB-D111-M1	M3	YES

UNLESS OTHERWISE SPECIFIED DIMENSIONS ARE IN MILLIMETER TOLERANCES ARE: DECIMALS ANGLES .XX ± .10 ± 1° .X ± .25	APPROVALS	DATE	Amphenol Canada Corp. TITLE RUGGED USB, TYPE B, RIGHT ANGLE SIZE C DWG. NO. P-MUSB-D111-XX REV. A SCALE 3:1 PROJECT MUSB SHEET 3 OF 3
	DRAWN S.SEMENOV	FEB19/07	
	DESIGNED S.SEMENOV	FEB19/07	
	CHECKED		
	QA APP'D		
MATERIAL AND FINISH	IE APP'D		
REF.	DWG APP'D A.GREEN	FEB19/07	
CODE IDENT. NO.			