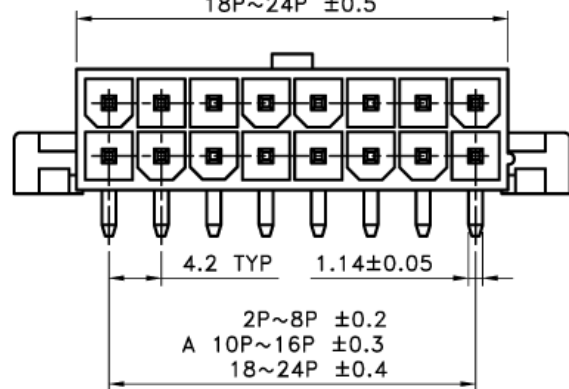
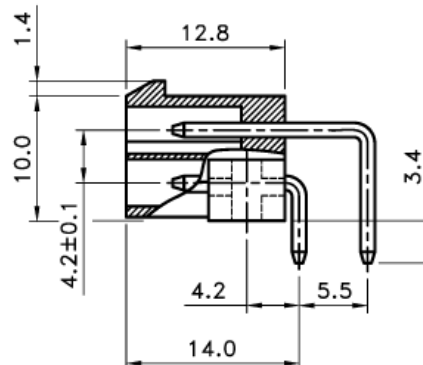
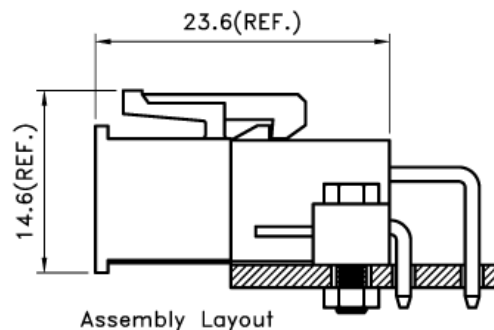


2P~8P ±0.3
B 10P~16P ±0.4
18P~24P ±0.5



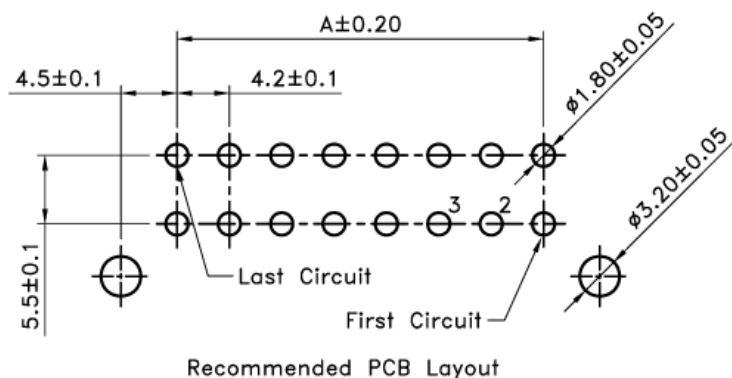
2P~8P ±0.2
A 10P~16P ±0.3
18~24P ±0.4



SPECIFICATIONS

Voltage rating : 250V AC/DC
Current rating : 7A AC/DC
Withstanding voltage : 1500V AC/minute
Contact resistance : 20mΩ max
Temperature range : -40°C to +105°C
Insulation resistance : 1000MΩ min
MATERIAL
Insulator : Nylon66 (UL94V-2)
Insulator color : Transprnt White
Contact : Brass
Plating : Tin Plated

Poles	Dimensions(mm)		
	A	B	C
2	----	5.60	8.60
4	4.20	9.80	12.80
6	8.40	14.00	17.00
8	12.60	18.20	21.20
10	16.80	22.40	25.60
12	21.00	26.60	29.80
14	25.20	30.80	34.00
16	29.40	35.00	38.20
18	33.60	39.20	44.40
20	37.80	43.40	48.60
22	42.00	47.60	52.80
24	46.20	51.80	57.00



TOLERANCE (mm)	APPROVALS	DATE	TITLE	AMPHENOL
X. ±0.3	DRAWN Stephane	05/Jan/2007	4.2 Power Wafer R/A Dip w/Ear	Amphenol European Design Center
XX ±0.2	CHECKED Rob	05/Jan/2007		
X.XX ±0.15	APPROVED Rob	05/Jan/2007		
UNLESS OTHERWISE SPECIFIED	UNIT: mm	SIZE: A4	DRAWING N°	Scale N.A. Sheet 1 of 1
			MF42-RE-XX	REV. A