



hotcold

INSTRUCTION MANUAL

INDUSTRIAL HYGROSTAT

HGR-21Kb-a ; HGR-21Kb-b



View of HGR-21Kb

Description

- Hygrostat HGR-21Kb is designed to work in air condition and ventilation ducts.
- Humidity measurement is based on polymer sensor HIH-4031 type.
- For exact work, sensor needs slowly flowing air without vapour condensation.
- Polycarbonate waterproof housing (IP65) with transparent cover.
- Hygrostat HGR-21Ka is made in two variants of operations: **HGR-21Kb-a** (humidification) and **HGR-21Kb-b** (dehumidification).

Operating principle:

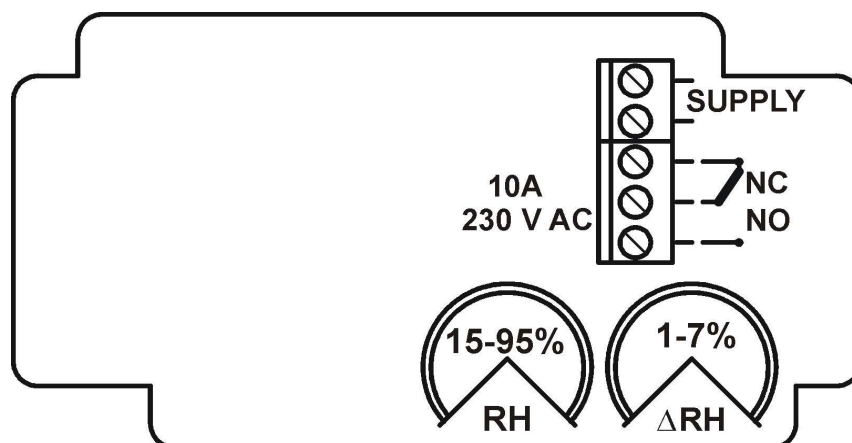
Hygrostats HGR-21Kb series are equipped in two potentiometers designed for adjusting humidity level (potentiometer RH) and histeresis control (potentiometer Δ RH). Range of humidity control is possible from 15% to 95% RH, and hysteresis range from 1 to 7% RH. Relay's ON-OFF work is indicated by red LED.

Hygrostat is made in two working variants – humidification HGR-21Kb-a (relay is ON below adjusted humidity level, red LED is on) and dehumidification HGR-21Kb-b (relay is ON above adjusted humidity level, red LED is on).

Technical data:

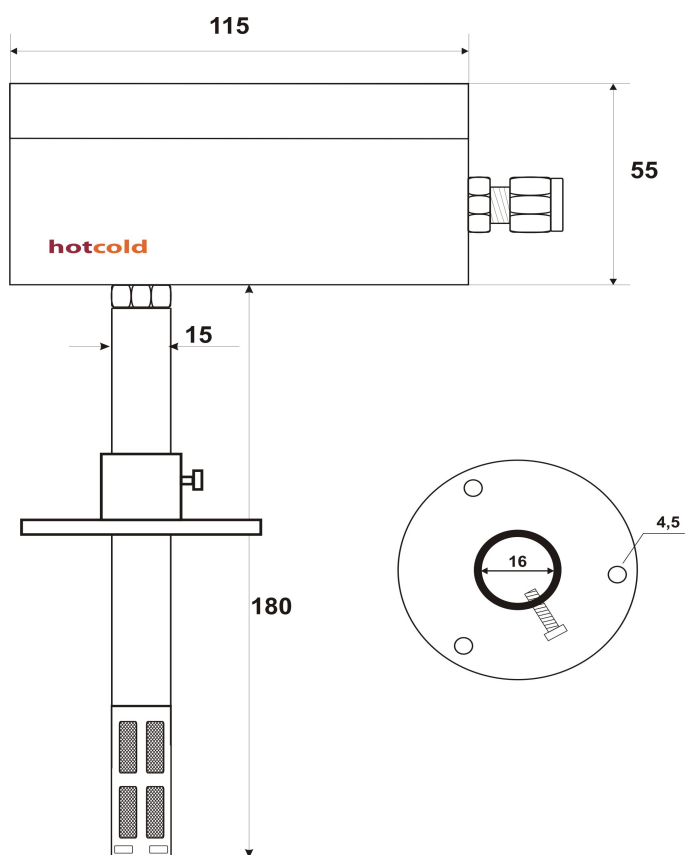
supply:	230 V AC or (optional) 24 V AC/DC
out:	ON-OFF relay 10A/230V AC with NO/NC contacts
humidity range:	15...95% Rh accuracy +/- 5% Rh
hysteresis:	adjusted from 1 to 7% Rh
housing:	polycarbonate / IP65
working humidity:	15-95% RH
working temperature:	-30...+80°C,
storage:	-40...+95°C
dimensions:	115 x 65 x 55mm
duct mounting:	flange with silicon rubber gasket

Electrical schema:



HGR-21Kb inside view

Duct mounting



HGR-21Kb with mounting flange