

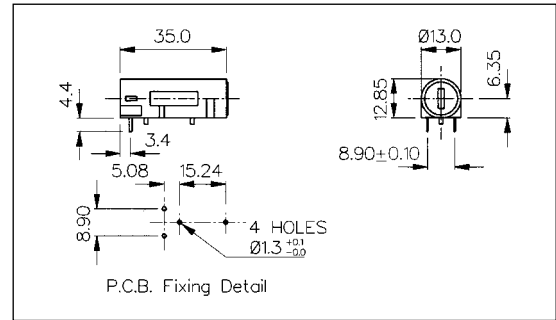
PC Mounting PC1, PC2 and PC3

PC HORIZONTAL MOUNT



FX0461

- Protection Category PC3
- Fuse Size 5 x 20mm
- Screw Cap/Screwdriver Release
- Captive Fuse Carrier
- PC Spills
- 10A, 250V (16A, 250V UL)



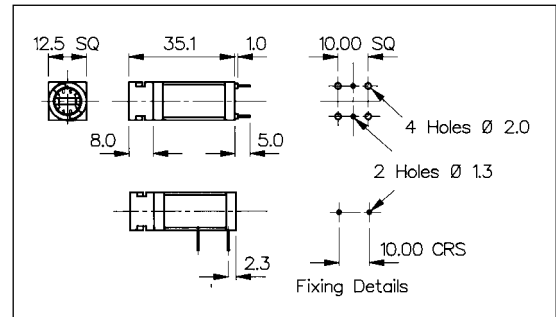
PC HORIZONTAL AND VERTICAL MOUNT



FX0457

FX0456

- Protection Category PC2
- Fuse Sizes 5 x 20mm
- Bayonet Cap/Screwdriver Release
- 10A, 250V



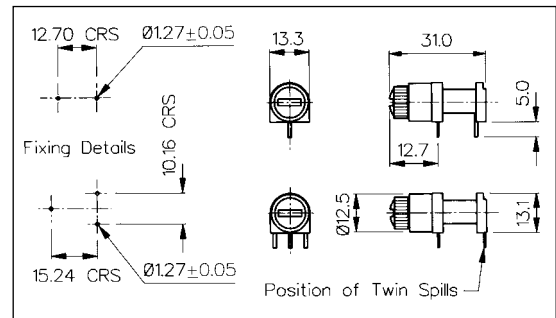
PC HORIZONTAL MOUNT



FX0330

FX0342

- Protection Category PC1
- Fuse Size 5 x 20mm
- Two or Three PC Spills
- Screw Cap/Hand Release
- 6.3A, 250V



| Specification | FX0461 | FX0456, FX0457 | FX0330, FX0342 |
|---|-------------------------------|---------------------------------|--|
| Fuse Size: | 5 x 20mm | 5 x 20mm | 5 x 20mm |
| Fuse Carrier: | Screw cap/Screwdriver release | Bayonet cap/Screwdriver release | Screw cap/Hand release |
| Terminations: | PC Spills | PC Spills | FX0330 - 3 PC Spills FX0342 - 2 PC Spills |
| Max. Rating: | 10A, 250V (16A, 250V a.c. UL) | 10A, 250V | 6.3A, 250V |
| Max. Power Dissipation: | 1.6W (@ 23°C) | 2.5W (@ 23°C) | 2.5W (@ 23°C) |
| Insulation Resistance: | >10MΩ @ 500V d.c. | >10 ² MΩ @ 500V d.c. | >10 ⁴ MΩ @ 500V d.c. |
| A.C. Breakdown: | >2kV | 4kV @ 50Hz | 6kV @ 50Hz |
| Contact Resistance: | <10mΩ | <10mΩ | <5mΩ |
| Operating Temp: (ambient air temp + fuse temp rise) | -20°C to +85°C | -20°C to +85°C | -20°C to +85°C |
| Mouldings: | | | |
| Body: | Polyester UL94V-0 rated | Polyester UL94V-0 rated | Glass Filled Nylon UL94V-0 rated |
| Cap: | Nylon UL94V-0 rated | Nylon UL94V-0 rated | Nylon UL94V-0 rated |
| End Bung: | | Polyester UL94V-0 rated | |
| Contacts: | Brass, Silver Plated | Brass, Silver Plated | Brass, Tin Plated |
| Approvals: | | | |
| RoHS | Compliant | Compliant | Compliant |