

Round Feet



Part No.	"A"REF	"B" PANEL Thickness	"C"REF	"D"REF	"E" HOLE DIA	Fig.
Material: PP+TPE		Color:Black	Standard Pack: 200pcs/bag			
FIX-FR-101	.790 (20.0)	.039-.091 (1.0-2.3)	.550 (14.0)	.950 (24.0)	.197-.201 (5.0-5.1)	1
FIX-FR-104	.710 (18.0)		.394 (10.0)	.790 (20.0)		
FIX-FR-115	1.102 (28.0)		.590 (15.0)	1.181 (30.0)		
FIX-FR-117	.710 (18.0)	.031-.059 (0.8-1.5)	.394 (10.0)	.790 (20.0)	.315-.319 (8.0-8.1)	3
FIX-FR-118			.198 (5.0)			
FIX-FR-120						
FIX-FR-121	.790 (20.0)	.197-.315 (5.0-8.0)	.240 (6.0)	.830 (21.0)	.311-.315 (7.9-8.0)	
FIX-FR-123	.906 (23.0)	.031-.059 (0.8-1.5)	.200 (5.0)	.980 (25.0)	.319-.323 (8.1-8.2)	
FIX-FR-124	.710 (18.0)	.020-.047 (0.5-1.2)	.472 (12.0)	.790 (20.0)	.319-.323 (8.1-8.2)	
FIX-FR-125		.031-.071 (0.8-1.8)	.590 (15.0)		.315-.319 (8.0-8.1)	
FIX-FR-126		.020-.047 (0.5-1.2)	.710 (18.0)		.319-.323 (8.1-8.2)	
FIX-FR-128		.031-.059 (0.8-1.5)	.590 (15.0)		.315-.319 (8.0-8.1)	
FIX-FR-129	1.102 (28.0)	.098-.126 (2.5-3.2)		1.181 (30.0)	.397-.401 (10.1-10.2)	
FIX-FR-818	.710 (18.0)	.031-.059 (0.8-1.5)	.315 (8.0)	.768 (19.5)	.240-.244 (6.1-6.2)	

Fig. 1

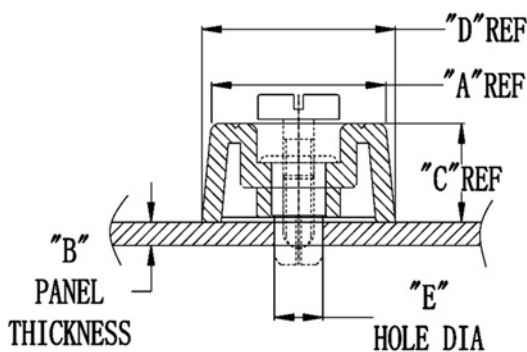


Fig. 3

