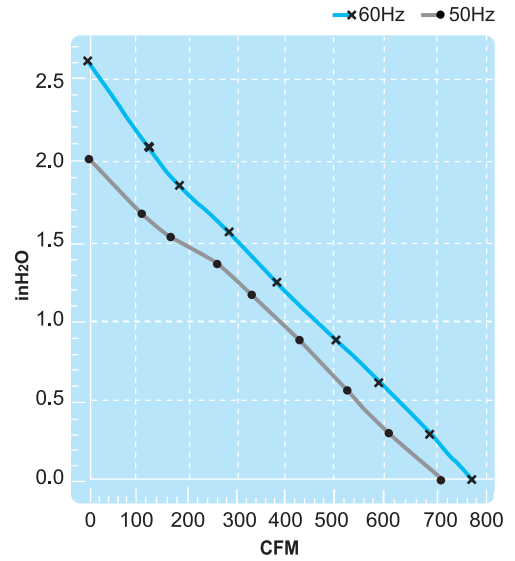
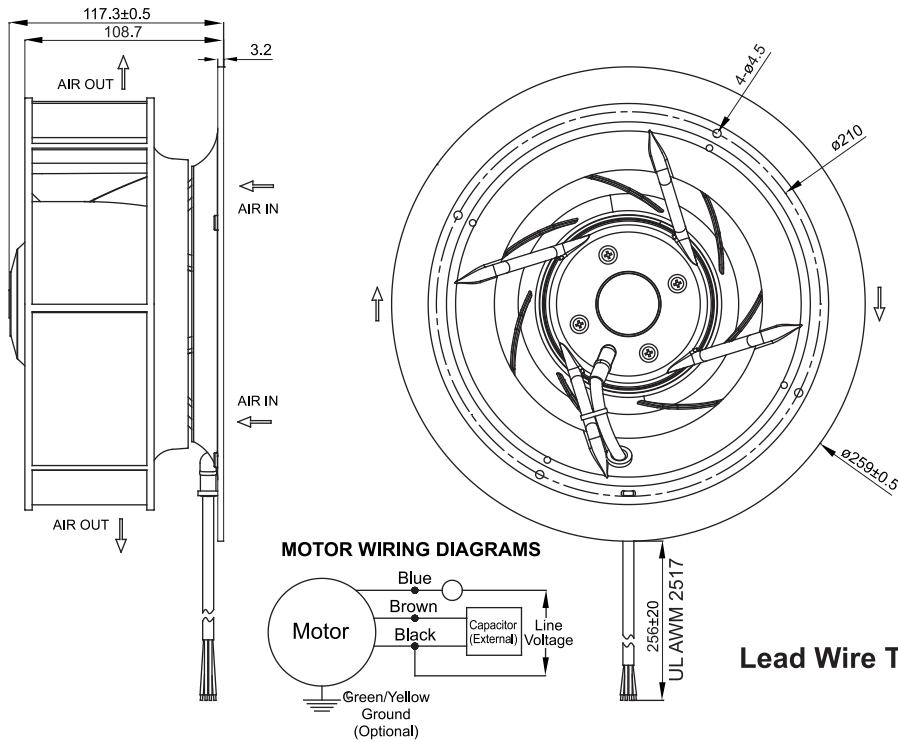


UF225(99)APA Series

(Centrifugal Fan)



Thermal Protection



Lead Wire Type



Spec.	Rated Voltage	Frequency	Input Power	Rated Current	Locked Current	Speed	Maximum Air Flow	Maximum Air Flow	Maximum Pressure	Maximum Pressure	Capacitor	Noise	Weight
Model	V	Hz	W	A	A	RPM	m ³ /min.	CFM	mmH ₂ O	InchH ₂ O	μF/VDB	dB	kg
UF225(99)APA 11H1C2F	115V	50	128	1.16	2.22	2650	20	700	51	2.0	16/250	69	2.6
		60	160	1.41	2.30	2950	22	770	66	2.6		71	
UF225(99)APA 23H1C2F	230V	50	126	0.57	1.14	2650	20	700	51	2.0	4/450	69	2.6
		60	157	0.70	1.15	2950	22	770	66	2.6		71	