

Mounting Brackets
E39-L
 Slits/Reflectors
E39-S/E39-R

CSM_E39-L_F39-L_E39-S_E39-R_DS_E_15_2

Mounting Brackets [Refer to *Dimensions* on page 5.]

| Model | Fitting materials | Count | Accessories | | | Applicable sensor (mounting pitch on sensor side) | Page |
|-----------------|--------------------------|-------|---|--------------------------|-------|---|------------|
| | | | Description | Material | Count | | Dimensions |
| E39-L31 | Iron, zinc plating | 1 | Slotted/Phillips screws, M3 × 12 (with spring washers) | Iron, zinc plating | 2 | E3C-S50 (8) | 5 |
| E39-L40 | Iron, zinc plating | 1 | Phillips screws M4 × 25 (with spring and plain washers) | Iron, zinc plating | 2 | E3JK | |
| | | | Nuts M4 | Iron, zinc plating | 2 | | |
| E39-L41 | Iron, zinc plating | 2 | Phillips screws M3 × 14 (with spring washers) | Iron, zinc plating | 4 | E3C-1 (10) | |
| | | | Plain washer M3 | Iron, zinc plating | 4 | | |
| E39-L42 | Iron, black coating | 2 | Phillips screws M3 × 10 (with spring washers) | Iron, zinc plating | 4 | E3C-2 (20) | |
| | | | Plain washer M3 | Iron, zinc plating | 4 | E3C-DS10 (19) E3C-VS1G (19) E3C-VS3R (19) | |
| E39-L43 | Stainless steel (SUS304) | 1 | Slotted/Phillips screws M3 × 8 (with spring and plain washers) | Stainless steel (SUS304) | 2 | E3Z pre-wired model (25.4) | 6 |
| E39-L44 | Stainless steel (SUS304) | 1 | Slotted/Phillips screws M3 × 8 (with spring and plain washers) | Stainless steel (SUS304) | 2 | E3Z pre-wired model (25.4) | |
| E39-L51 | Iron, zinc plating | 1 | Slotted/Phillips screws M4 × 30 (with spring and plain washers) | Iron, zinc plating | 2 | E3JM (40) | |
| | | | Nuts M4 | Iron, nickel plating | 2 | | |
| E39-L53 | Iron, zinc plating | 1 | --- | --- | --- | E3JM (40) | |
| E39-L54V | Stainless steel (SUS304) | 1 | --- | --- | --- | E32-T54V | |
| E39-L83 | Stainless steel | 1 | --- | --- | --- | E32-T24S E32-A03 | 7 |
| E39-L85 | Stainless steel (SUS304) | 1 | Hexagonal bolts M4 × 12 (with spring and plain washers) | Iron, zinc plating | 2 | E3S-C (25.4) | |
| E39-L86 | Stainless steel (SUS304) | 1 | Hexagonal bolts M4 × 12 (with spring and plain washers) | Iron, zinc plating | 2 | E3S-C (25.4) | |
| E39-L87 | Stainless steel (SUS304) | 1 | Hexagonal bolts M4 × 12 (with spring and plain washers) | Iron, zinc plating | 2 | E3S-C (25.4) | |

Note: Applicable models that appear shaded come with the Mounting Brackets at left as accessories.

| Model | Fitting materials | Count | Accessories | | | Applicable sensor (mounting pitch on sensor side) | Page Dimensions |
|---|--------------------------|-------|---|--|--------|---|-----------------|
| | | | Description | Material | Count | | |
| E39-L93FH | Stainless steel (SUS304) | 1 | Holder (upper) | Heat-resistant ABS resin | 1 | E3Z (25.4) E39-R1/E39-R3 | 8 |
| | | | Holder (lower) | 66 nylon | 1 | | |
| | | | Pipe | Stainless steel (SUS304) | 1 | | |
| E39-L93FV | Stainless steel (SUS304) | 1 | Bolts M4 × 12 with Hexagonal holes | Iron, nickel plating | 2 | | |
| | | | Bolts M4 × 30 with hexagonal holes | Iron, nickel plating | 1 | | |
| E39-L93H | Stainless steel (SUS304) | 1 | Phillips screws M3 × 12 (with spring and plain washers) | Stainless steel (SUS304) | 2 | | |
| E39-L93V | Stainless steel (SUS304) | 1 | Spring washer M4 | Iron, nickel plating | 1 | | |
| | | | Plain washer M4 | Iron, nickel plating | 1 | | |
| | | | Nuts M4 | Iron, nickel plating | 3 | | |
| E39-L93XY | --- | --- | Holder | 66 nylon | 1 | E3Z (25.4) E39-R1/E39-R3 | 9 |
| | | | Pipe | Stainless steel (SUS304) | 1 | | |
| | | | Bolts M5 × 16 with hexagonal holes | Stainless steel (SUS304) | 2 | | |
| | | | Nuts M5 | Stainless steel (SUS304) | 2 | | |
| | | | Phillips screws M3 × 10 | Iron, zinc plating | 4 | | |
| E39-L94 | Iron, zinc plating | 2 | Nuts M3 | Iron, zinc plating | 4 | E32-T16P (19) E32-T16PR (19) | |
| E39-L96 | Stainless steel (SUS304) | 1 | Phillips screws M3 × 6 (with spring and plain washers) | Iron, nickel plating | 2 | E39-R1 | |
| * For installation of Sensor Adjuster E39-L93 | | | | | | | |
| E39-L98 | Stainless steel (SUS304) | 1 | Slotted/Phillips screws M3 × 12 (with spring and plain washers) | Stainless steel (SUS304) | 2 | E3Z pre-wired model (25.4) | |
| E39-L102 | Stainless steel (SUS304) | 1 | Hexagonal bolts M4 × 12 (with spring and plain washers) | Iron, zinc plating | 2 | E3S-C (horizontal type) (25.4) | 10 |
| E39-L103 | Stainless steel (SUS304) | 1 | Hexagonal bolts M4 × 12 (with spring and plain washers) | Iron, zinc plating | 2 | E3S-C (vertical type) (25.4) | |
| E39-L104 | Stainless steel (SUS304) | 1 | Slotted/Phillips screws M3 × 8 (with spring and plain washers) | Stainless steel (SUS304) | 2 | E3Z pre-wired model (25.4) E32-R21 (for installation of E39-R3) (25.4) | |
| E39-L116 | Stainless steel (SUS304) | 1 | Nut plate | Stainless steel (SUS304) | 1 | E3T-S (9/15) | 11 |
| E39-L117 | Stainless steel (SUS304) | 1 | Nut plate | Stainless steel (SUS304) | 1 | E3T-S (9/15) | |
| E39-L118 | Stainless steel (SUS304) | 1 | Nut plate | Stainless steel (SUS304) | 1 | E3T-S (9/15) | |
| E39-L119 | Stainless steel (SUS304) | 1 | --- | --- | --- | E3T-F (8) | |
| E39-L120 | Stainless steel (SUS304) | 1 | --- | --- | --- | E3T-F (8) | |
| E39-L127-T1 | Iron, zinc plating | 1 | Phillips screws M2.3 × 8 Spring washer M2.3 | Iron, zinc plating Iron, zinc plating | 4 4 | E3C-S10 (7.5) | |
| E39-L127-T2 | Iron, zinc plating | 1 | Phillips screws M2.3 × 8 Spring washer M2.3 | Iron, zinc plating Iron, zinc plating | 4 4 | | |
| E39-L127-T3 | Iron, zinc plating | 1 | Phillips screws M2.3 × 8 Spring washer M2.3 | Iron, zinc plating Iron, zinc plating | 4 4 | | |

Note: Applicable models that appear shaded come with the Mounting Brackets at left as accessories.

| Model | Fitting materials | Count | Accessories | | | Applicable sensor (mounting pitch on sensor side) | Page |
|----------|----------------------------------|-------|---|--|--------|---|------------|
| | | | Description | Material | Count | | Dimensions |
| E39-L131 | Stainless steel (SUS304) | 1 | Slotted/Phillips screws M4 × 25 | Stainless steel (SUS304) | 2 | E3G-R1□ (25) E3G-L7□ (25) | 12 |
| | | | Spring washer M4 | Stainless steel (SUS304) | 2 | | |
| | | | Plain washer M4 | Stainless steel (SUS304) | 2 | | |
| | | | Nuts M4 | Stainless steel (SUS304) | 2 | | |
| E39-L132 | Stainless steel (SUS304) | 1 | Slotted/Phillips screws M4 × 25 | Stainless steel (SUS304) | 2 | E3G-R1□ (25) E3G-L7□ (25) | |
| | | | Spring washer M4 | Stainless steel (SUS304) | 2 | | |
| | | | Plain washer M4 | Stainless steel (SUS304) | 2 | | |
| | | | Nuts M4 | Stainless steel (SUS304) | 2 | | |
| E39-L135 | Stainless steel (SUS304) | 1 | Slotted/Phillips screws M4 × 35 | Stainless steel (SUS304) | 2 | E3G-MR19 (T) E3G-ML79 (T) | |
| | | | Spring washer M4 | Stainless steel (SUS304) | 2 | | |
| | | | Plain washer M4 | Stainless steel (SUS304) | 2 | | |
| | | | Nuts M4 | Stainless steel (SUS304) | 2 | | |
| E39-L136 | Stainless steel (SUS304) | 1 | Slotted/Phillips screws M4 × 35 | Stainless steel (SUS304) | 2 | E3G-MR19 (T) E3G-ML79 (T) | |
| | | | Spring washer M4 | Stainless steel (SUS304) | 2 | | |
| | | | Plain washer M4 | Stainless steel (SUS304) | 2 | | |
| | | | Nuts M4 | Stainless steel (SUS304) | 2 | | |
| E39-L142 | Stainless steel (SUS304) | 1 | Slotted/Phillips screws M3 × 8 (with spring and plain washers) | Stainless steel (SUS304) | 2 | E3Z pre-wired model (25.4) | |
| E39-L143 | Stainless steel (SUS304) | 1 | None | --- | --- | E3X-DA-S/MDA E3X-NA E3C-LDA E2C-EDA E4C-UDA | |
| E39-L144 | Stainless steel (SUS304) | 1 | Slotted/Phillips screws M3 × 12 (with spring and plain washers) | Stainless steel (SUS304) | 2 | E3Z pre-wired model (25.4) | |
| E39-L148 | Stainless steel (SUS304) | 1 | None | --- | --- | E3X-NA | |
| E39-L149 | Iron, black coating | 1 | None | --- | --- | E3Z-G | |
| E39-L150 | Stainless steel (SUS304) | 1 | Holder/bracket | PBT (polybutylene terephthalate) | 1 | E3Z (25.4) E3S-R6□/R8□ (20) E39-R3 | 13 |
| | | | Shaft (brace) | Stainless steel (SUS304) | 1 | | |
| | | | Bolt with hexagonal hole | Stainless steel (SUSXM7) | 1 | | |
| | | | Nut | Stainless steel (SUS304) | 1 | | |
| | | | Phillips screw | Stainless steel (SUSXM7) | 1 | | |
| | | | Slotted/Phillips screws | Stainless steel (SUS304) | 2 | | |
| E39-L151 | Stainless steel (SUS304) | 1 | Holder/bracket | PBT (polybutylene terephthalate) | 1 | E3Z (25.4) E3S-R6□/R8□ (20) E39-R3 | |
| | | | Shaft (brace) | Stainless steel (SUS304) | 1 | | |
| | | | Bolt with hexagonal hole | Stainless steel (SUSXM7) | 1 | | |
| | | | Nut | Stainless steel (SUS304) | 1 | | |
| | | | Phillips screw | Stainless steel (SUSXM7) | 1 | | |
| | | | Slotted/Phillips screws | Stainless steel (SUS304) | 2 | | |
| E39-L153 | Stainless steel (SUS304) | 1 | Slotted/Phillips screws M3 × 8 (with spring and plain washers) | Stainless steel (SUSXM7) Stainless steel (SUS304) | 2 | E3Z pre-wired model (25.4) | |
| E39-L166 | Stainless steel (SUS304) | 1 | Nut plate | Stainless steel (SUS304) | 1 | E3T-S□□M (13/16) | 14 |
| E39-L167 | Stainless steel (SUS304) | 1 | --- | --- | --- | E3T-FD□□M (8) | |
| E39-L168 | PBT (polybutylene terephthalate) | 1 | --- | --- | --- | E3T-FD□□M | 15 |
| E39-L180 | Stainless steel (SUS304) | 1 | Phillips screw Nut plate | Stainless steel | 2 1 | ZX1-LD50□ ZX1-LD100□ | |
| E39-L181 | Stainless steel (SUS304) | 1 | Phillips screw Nut plate | Stainless steel | 2 1 | ZX1-LD300□ ZX1-LD600□ | |

Note: Applicable models that appear shaded come with the Mounting Brackets at left as accessories.

Slits

| Model | Slit width | Installation procedure | Applicable type |
|----------|----------------------------|------------------------|-------------------------------|
| E39-S39 | Width 1 × 20 mm | Seal type | E3JM-10□4 (T)-N E3JK-5□□-N |
| E39-S61 | Width 0.5, 1, 2, 4 × 11 mm | Plug-in type | E3S-CT□1 |
| E39-S63 | 0.5-mm dia., 1 mm | | E3T-ST1□ |
| E39-S64 | 0.5-mm dia., 1 mm | | E3T-FT1□ |
| E39-S65A | 0.5 mm dia. | | E3Z-T□□ |
| E39-S65B | 1-mm dia. | | |
| E39-S65C | 2-mm dia. | | |
| E39-S65D | Width 0.5 × 10 mm | | |
| E39-S65E | Width 1 × 10 mm | | |
| E39-S65F | Width 2 × 10 mm | | |
| E39-S68 | Width 0.5, 1 × 13.4 mm | Seal type | E32-T16P E32-T16PR |
| E39-S76A | 0.5-mm dia. | Plug-in type | E3T-ST□M |
| E39-S76B | 1-mm dia. | | |

Note: E32-T16P
E32-T16PR Applicable models that appear shaded come with the Slits at left as accessories

Reflectors (Refer to Dimensions on page 16.)

| Item | Name Model | Reflectors | | Non-fogging reflective plate | Reflectors | | | Special Reflector for E3ZM-B |
|-------------------------------------|---------------|-------------|---------|---------------------------------|-------------|------------|---------|---------------------------------|
| | | E39-R1 | E39-R1S | E39-R1K | E39-R2 | E39-R6 | E39-R10 | E39-RP1 |
| Directional angle | | 30° min. *1 | | | 30° min. *2 | 30° min. | | |
| Ambient operating temperature range | | -25 to 55°C | | | | | | -40 to 60°C |
| Ambient storage temperature range | | -40 to 70°C | | -40 to 55°C | -40 to 70°C | | | |
| Ambient operating humidity range | | 35% to 85% | | | | 35% to 95% | | 35% to 85% |
| Ambient storage humidity range | | 35% to 95% | | | | | | |
| Degree of protection | | IEC IP67 | | | | | | |
| Accessories | | --- | | | | | | |

*1. 40° or higher for E3JM-R and E3JK-R.

*2. 40° or higher for E3G-R.

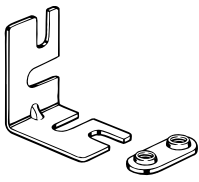
| Item | Name Model | Small reflector | | | | Tape reflector * | | |
|-------------------------------------|---------------|-----------------|--|------------|--|-----------------------|-----------------------|-----------------------|
| | | E39-R9 | E39-R3 | E39-R4 | E39-R37-CA * | E39-RS1 E39-RS1-CA | E39-RS2 E39-RS2-CA | E39-RS3 E39-RS3-CA |
| Directional angle | | 30° min. | | | | | | |
| Ambient operating temperature range | | -25 to 55°C | | | | | | |
| Ambient storage temperature range | | -40 to 70°C | | | 0 to 40°C | | | |
| Ambient operating humidity range | | 35% to 95% | | 35% to 85% | | | | |
| Ambient storage humidity range | | 35% to 95% | | | 35% to 85% | | | |
| Degree of protection | | IEC IP67 | | | | | | |
| Accessories | | --- | Mounting Brackets E39-L104 (with screws) | --- | Phillips screws M3 × 3, spring washers M3, nuts M3 | --- | | |

* Models ending in the suffix "-CA" are reflectors only for E3T-SR4□.

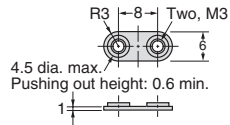
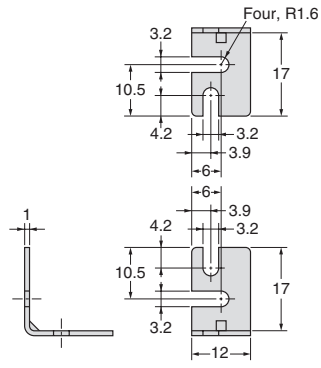
| Item | Name Model | Laser Reflectors | | | | |
|-------------------------------------|---------------|-----------------------------|---------|---|---------|---------|
| | | Standard | | Short-distance transparent object detection | Sheets | |
| | | E39-R12 | E39-R13 | E39-R14 | E39-RS4 | E39-RS5 |
| Ambient operating temperature range | | -10 to 55°C (No icing) | | | | |
| Ambient storage temperature range | | -25 to 70°C (No icing) | | | | |
| Ambient operating humidity range | | 35 to 85% (No condensation) | | | | |
| Ambient storage humidity range | | 35 to 85% (No condensation) | | | | |

Mounting Bracket Dimensions

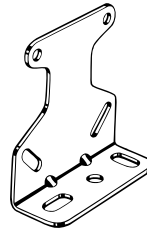
E39-L31



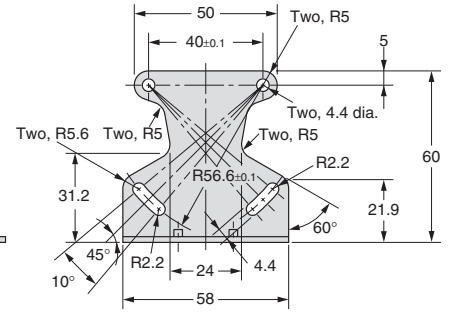
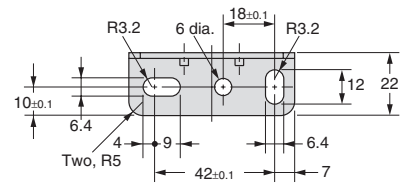
Material: Iron



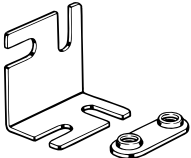
E39-L40



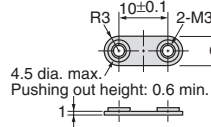
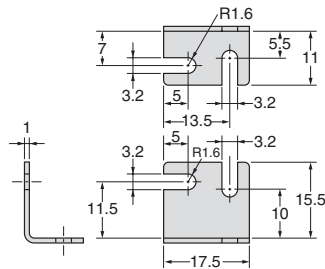
Material: Iron



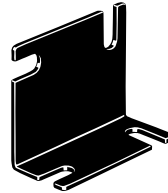
E39-L41



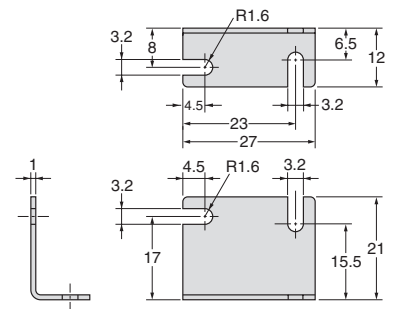
Material: Iron



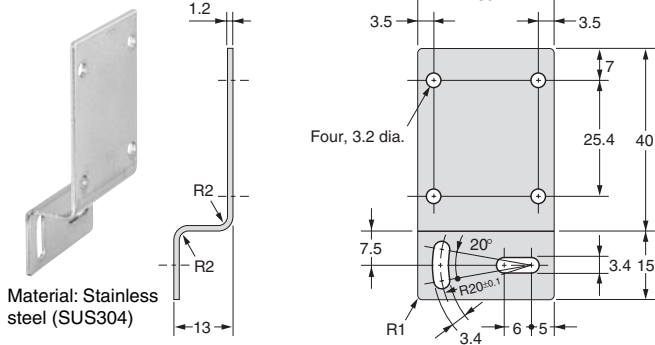
E39-L42



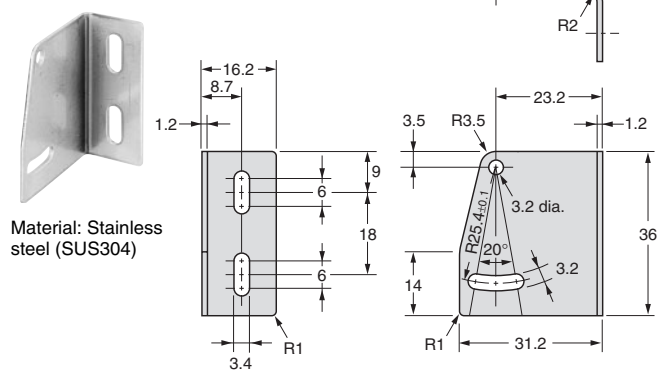
Material: Iron



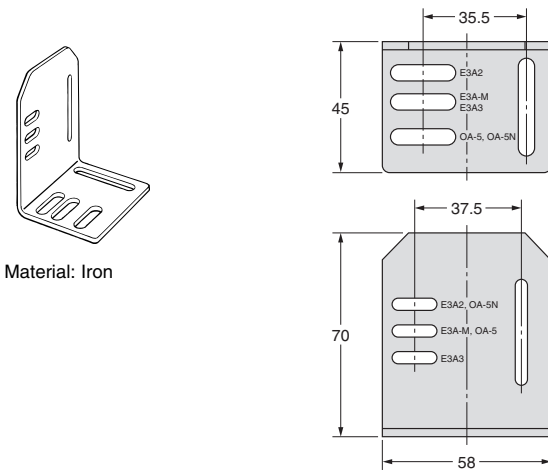
E39-L43



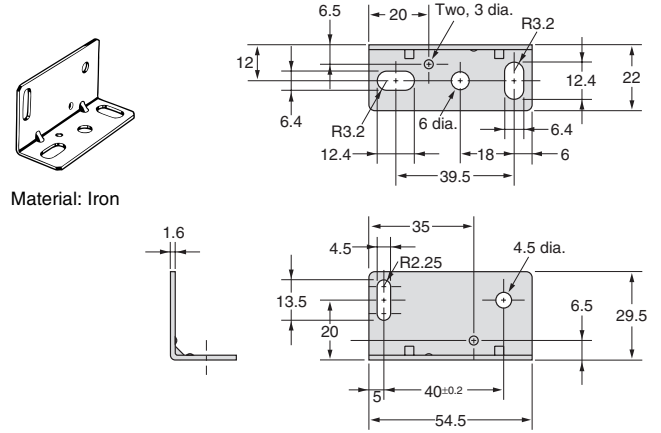
E39-L44



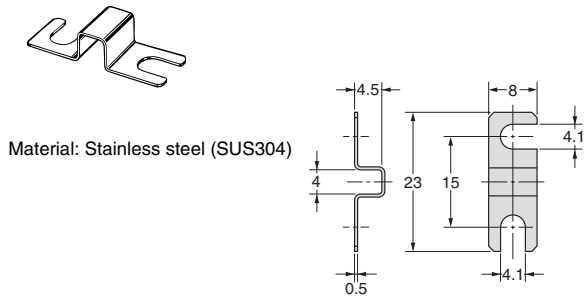
E39-L51



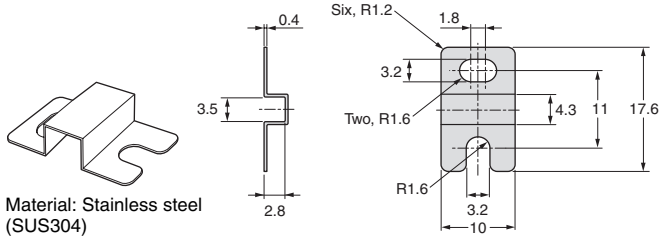
E39-L53



E39-L54V

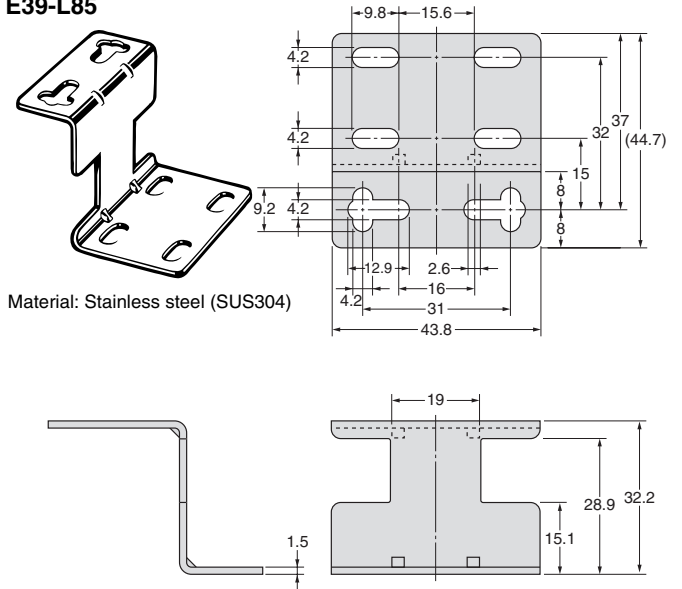


E39-L83



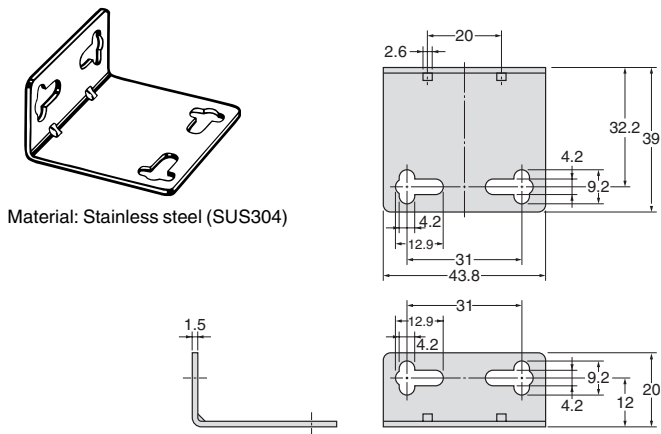
Material: Stainless steel (SUS304)

E39-L85



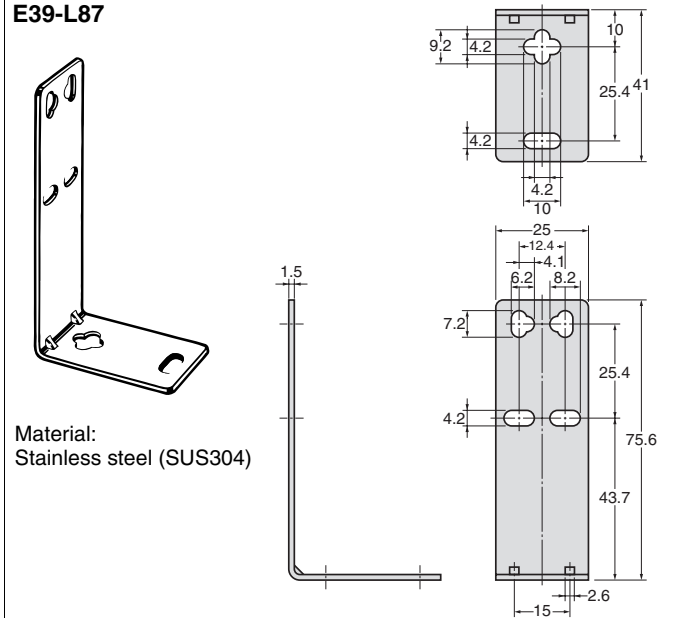
Material: Stainless steel (SUS304)

E39-L86



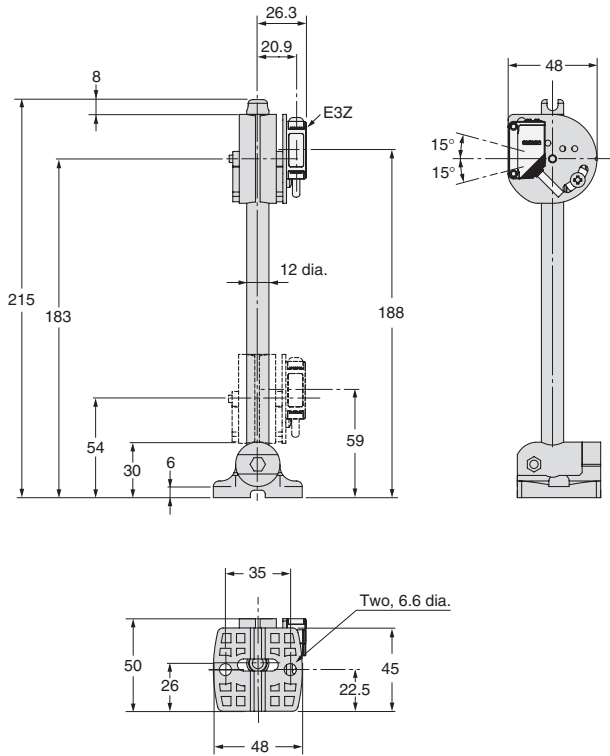
Material: Stainless steel (SUS304)

E39-L87

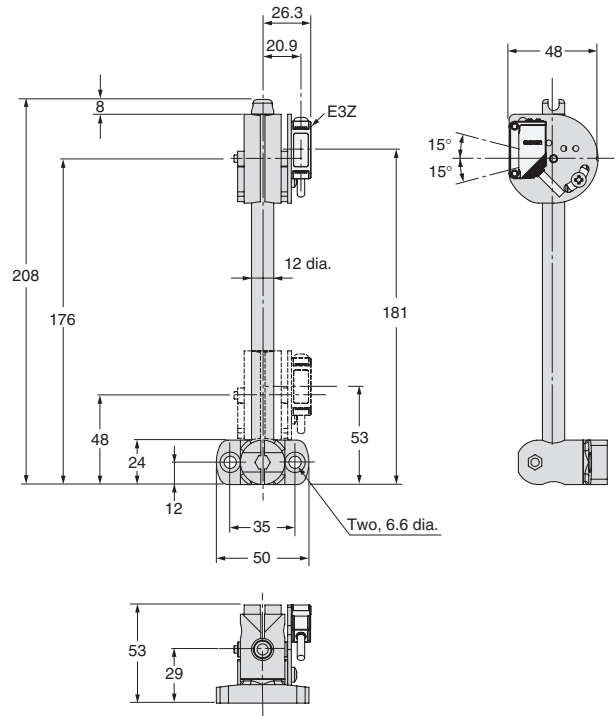


Material: Stainless steel (SUS304)

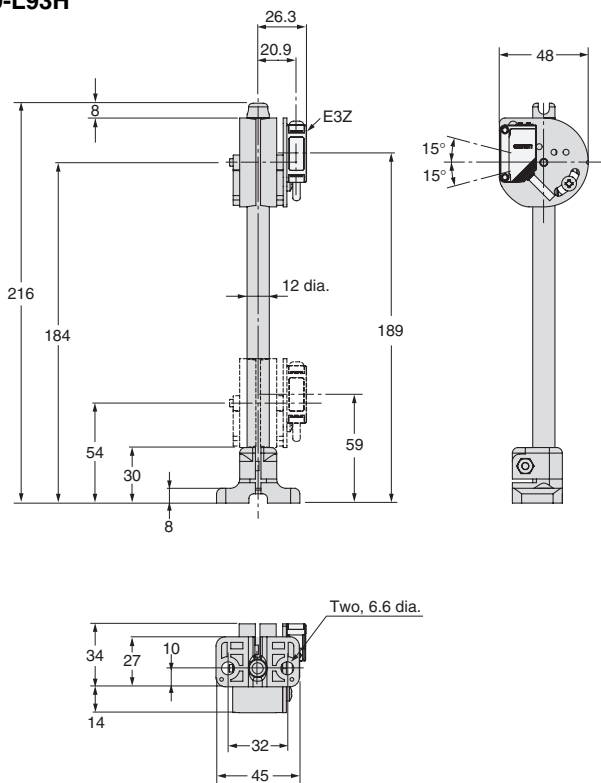
E39-L93FH



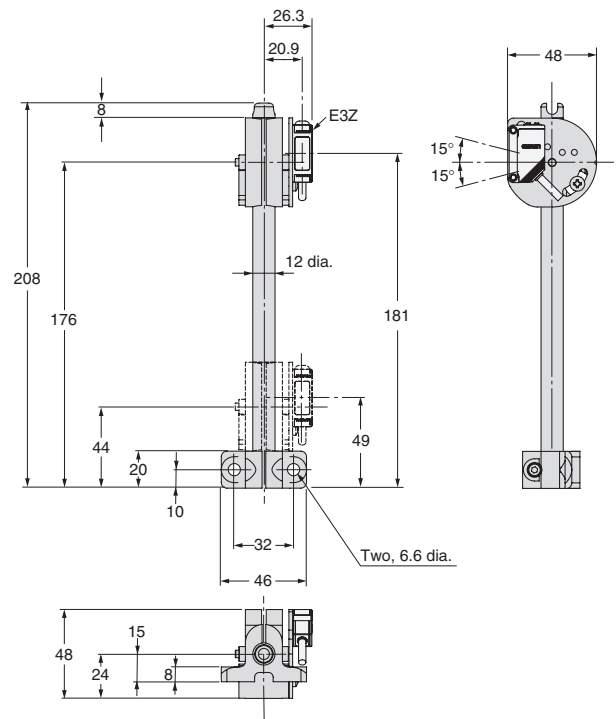
E39-L93FV



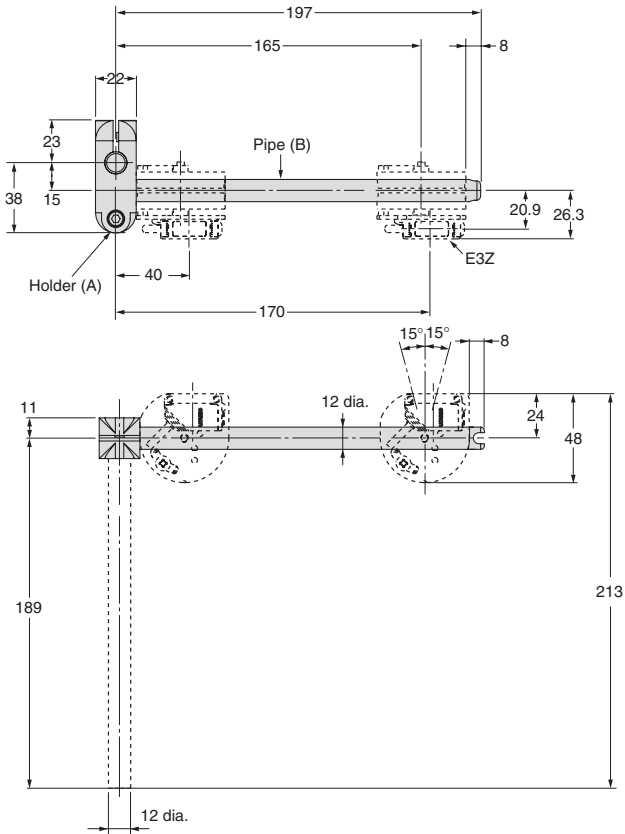
E39-L93H



E39-L93V

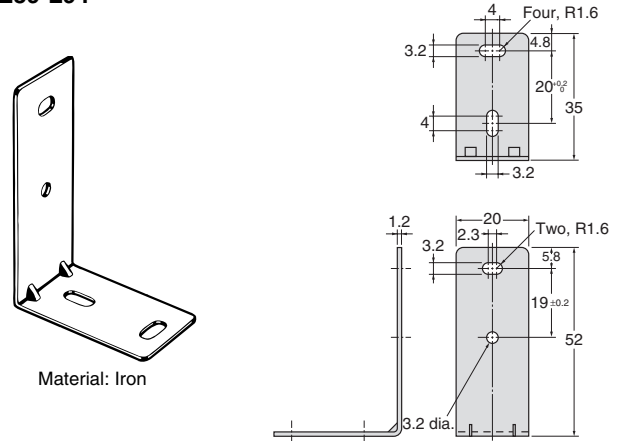


E39-L93XY

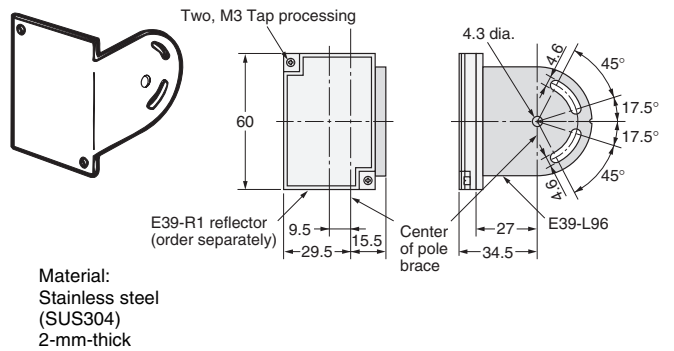


Note: The E39-L93XY consists of only the one joint holder (A) and pipe, and the two hexagonal bolts and nuts. It cannot be mounted to the Sensor alone.

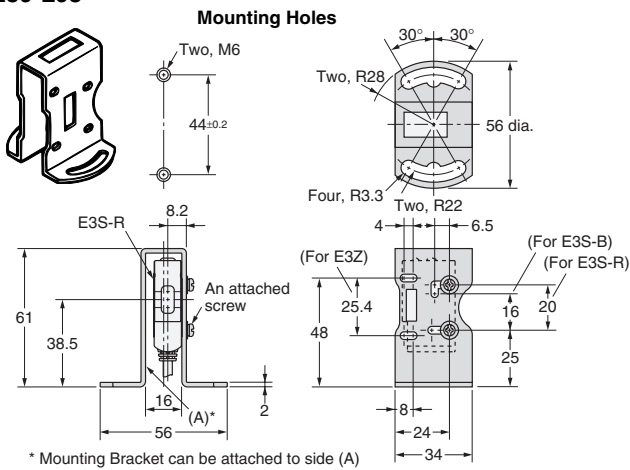
E39-L94



E39-L96

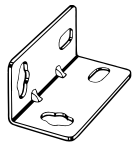


E39-L98

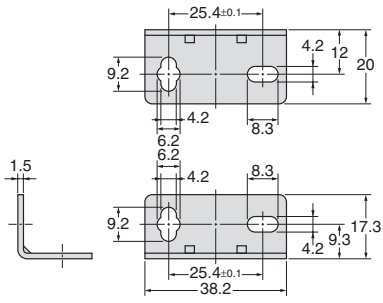


* Mounting Bracket can be attached to side (A)
Material: Stainless steel (SUS304)

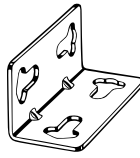
E39-L102



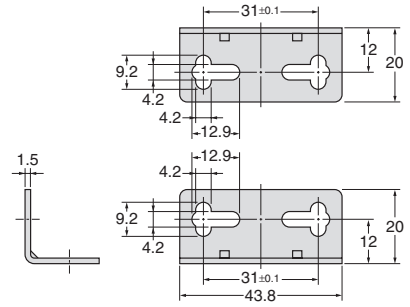
Material:
Stainless steel (SUS304)



E39-L103



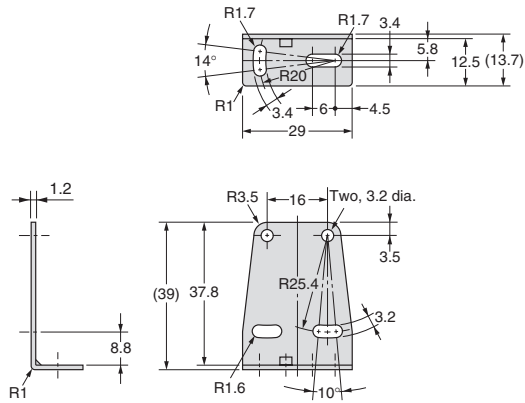
Material:
Stainless steel (SUS304)



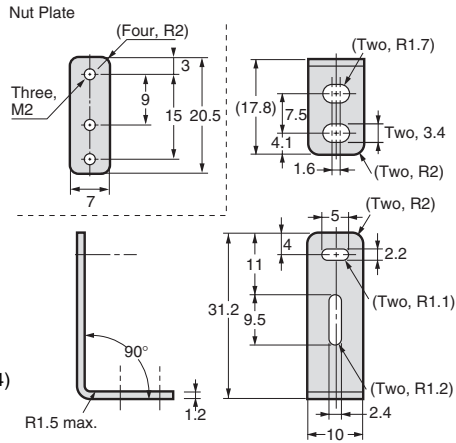
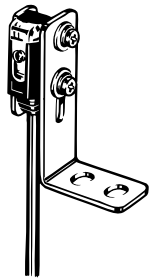
E39-L104



Material:
Stainless steel
(SUS304)

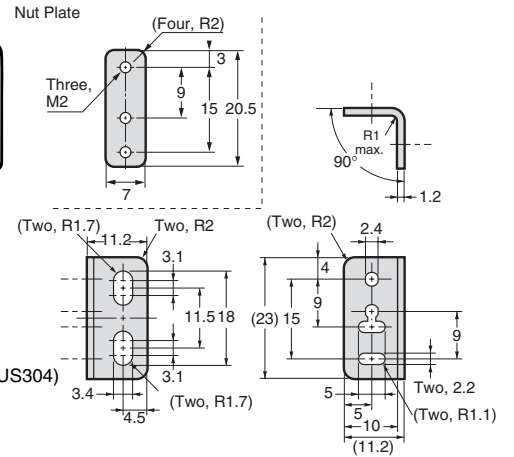
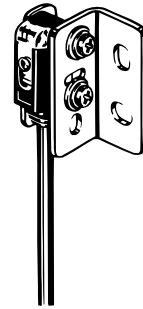


E39-L116



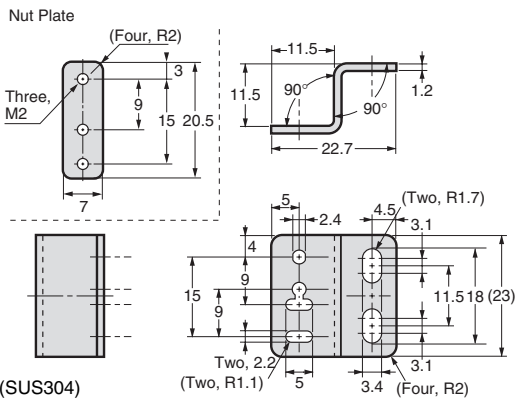
Material:
Stainless steel (SUS304)
1.2-mm-thick

E39-L117



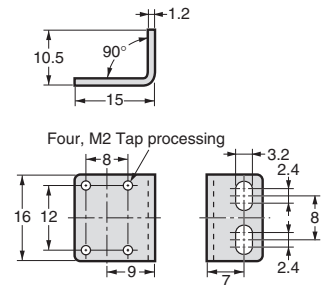
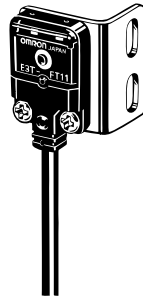
Material:
Stainless steel (SUS304)
1.2-mm-thick

E39-L118



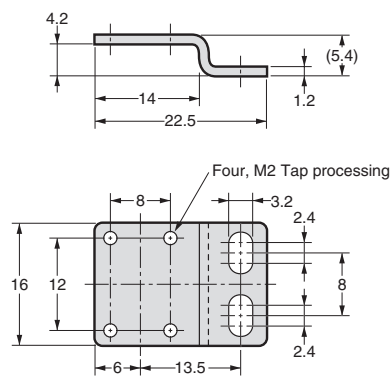
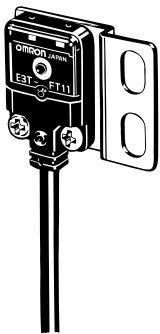
Material:
Stainless steel (SUS304)
1.2-mm-thick

E39-L119



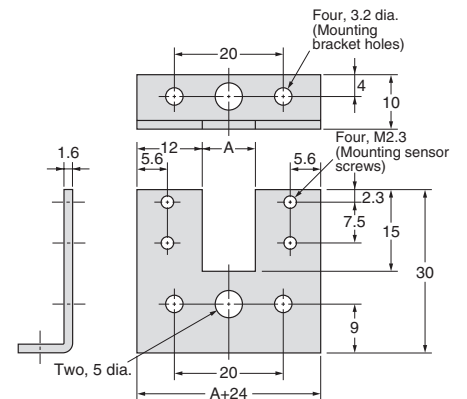
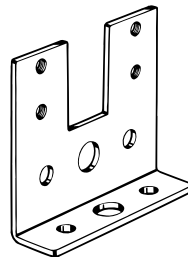
Material:
Stainless steel (SUS304)
1.2-mm-thick

E39-L120



Material: Stainless steel (SUS304)
1.2-mm-thick

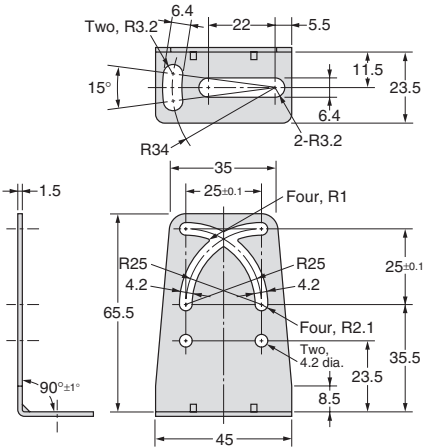
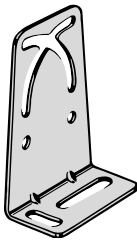
E39-L127-T1 E39-L127-T2 E39-L127-T3



Material: Iron

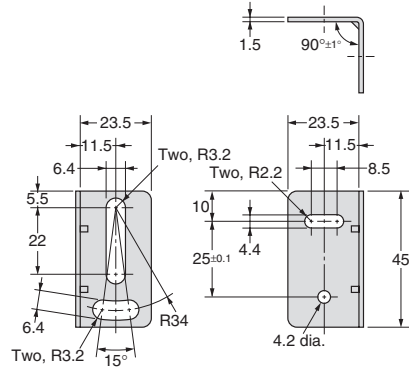
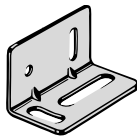
| Model | Dimension A (mm) |
|-------------|------------------|
| E39-L127-T1 | 10 |
| E39-L127-T2 | 20 |
| E39-L127-T3 | 30 |

E39-L131



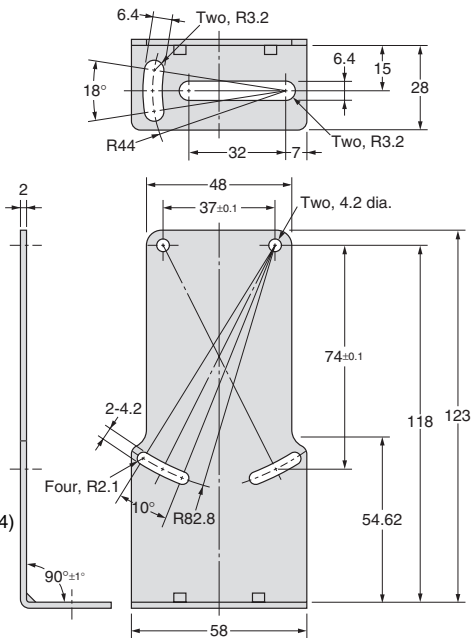
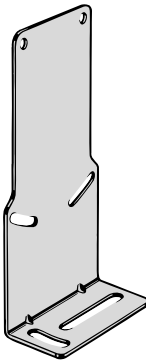
Material: Stainless steel (SUS304)

E39-L132



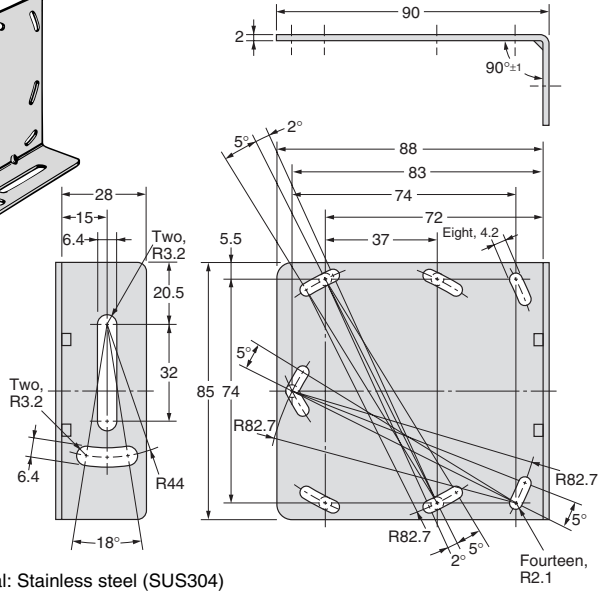
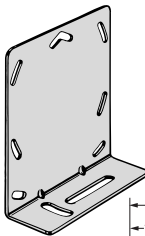
Material: Stainless steel (SUS304)

E39-L135



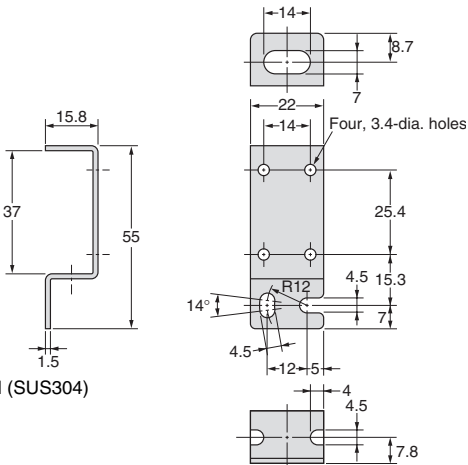
Material: Stainless steel (SUS304)

E39-L136



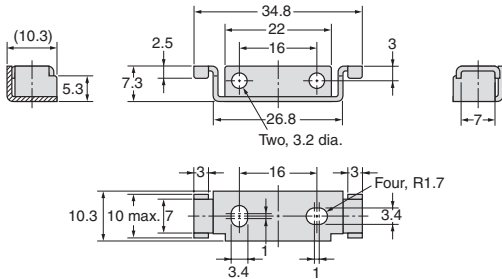
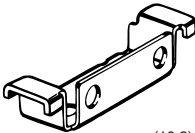
Material: Stainless steel (SUS304)

E39-L142



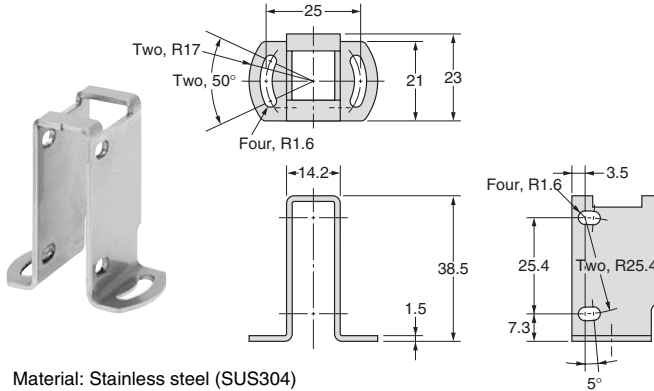
Material: Stainless steel (SUS304)

E39-L143



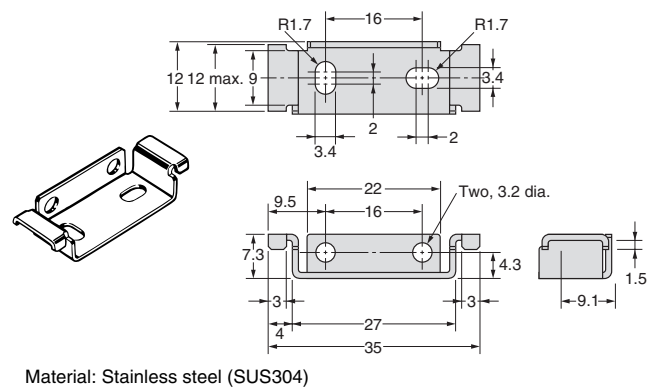
Material: Stainless steel (SUS304)

E39-L144



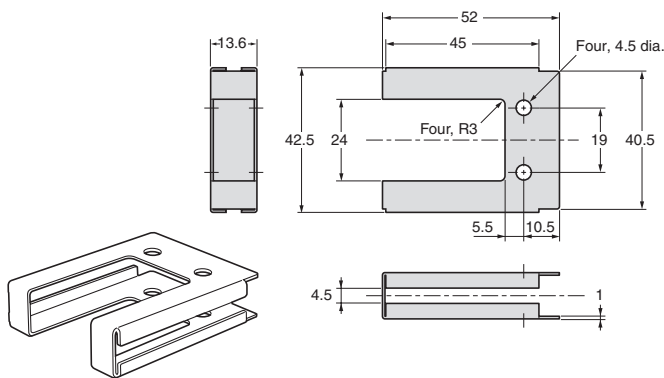
Material: Stainless steel (SUS304)

E39-L148



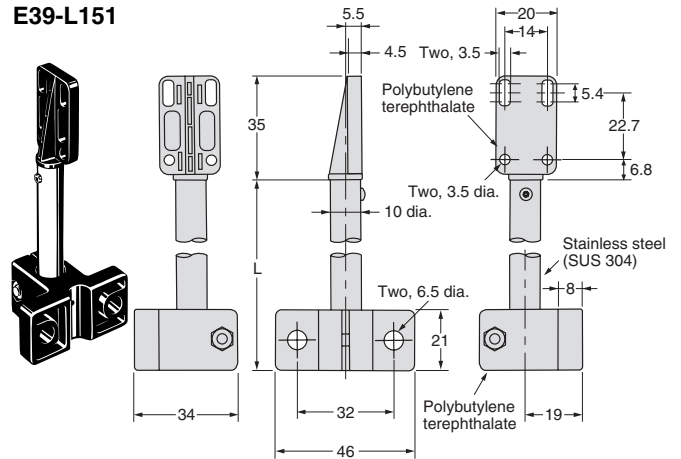
Material: Stainless steel (SUS304)

E39-L149



Material: Iron

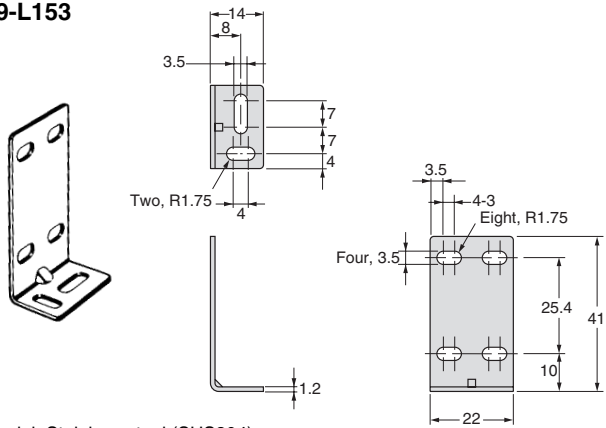
E39-L150 E39-L151



Length (mm)

| Model | L |
|----------|-----|
| E39-L150 | 65 |
| E39-L151 | 165 |

E39-L153

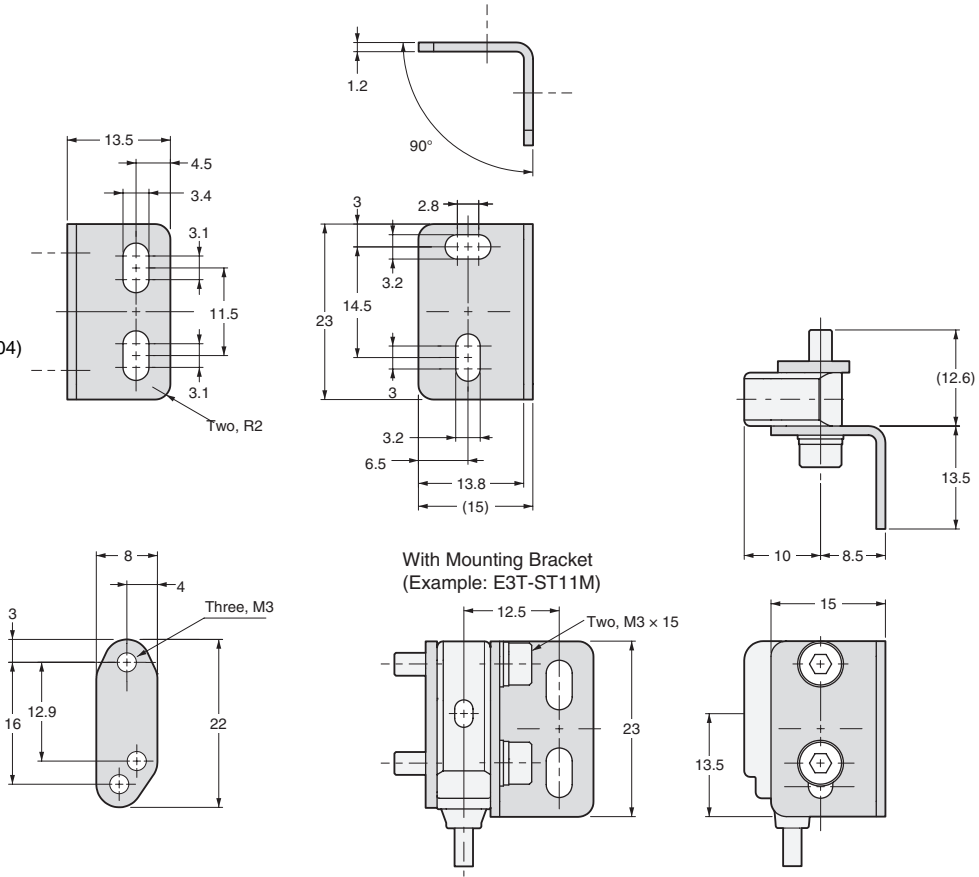


Material: Stainless steel (SUS304)

E39-L166



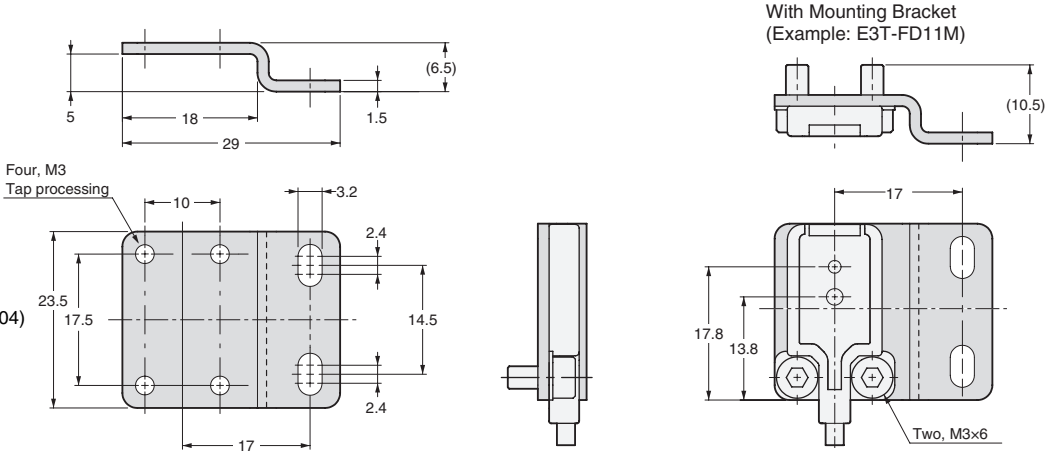
Material: Stainless steel (SUS304)
1.2-mm-thick



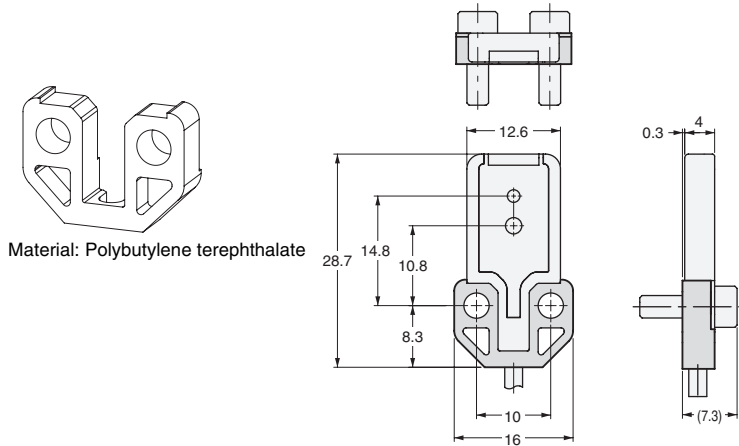
E39-L167



Material: Stainless steel (SUS304)
1.5-mm-thick

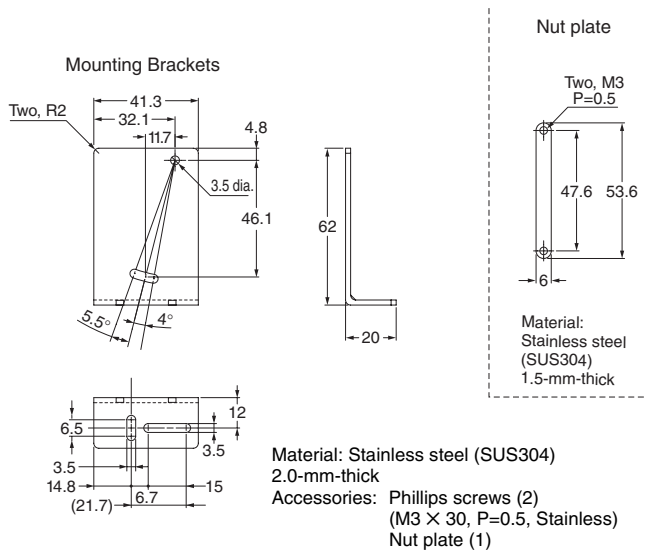


E39-L168

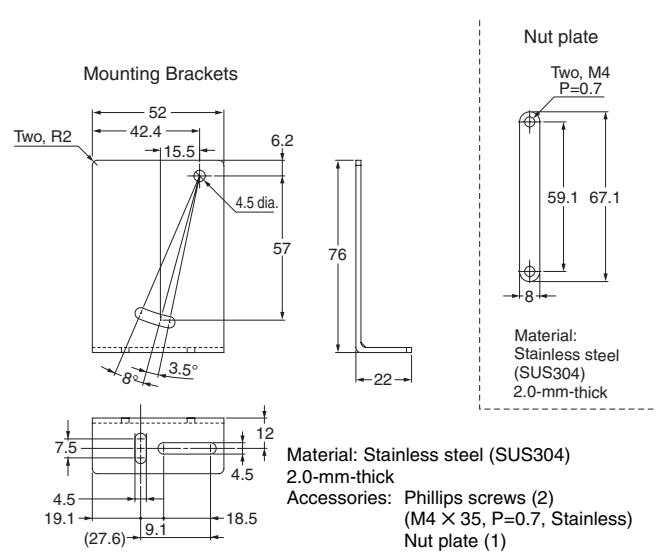


Note: Use this Spacer when mounting the Sensor from the back.

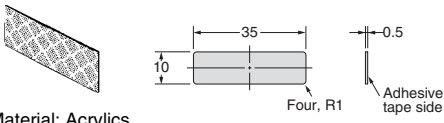
E39-L180



E39-L181

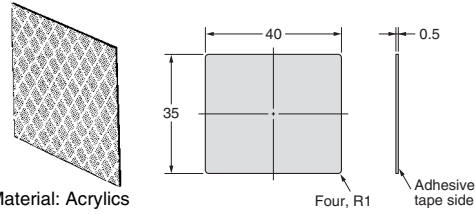


E39-RS1
E39-RS1-CA *1



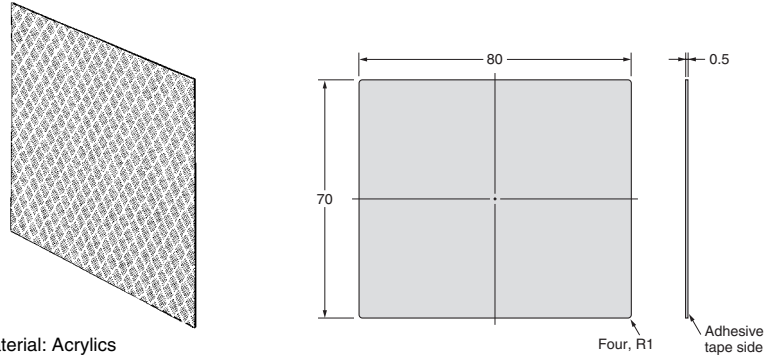
Material: Acrylics

E39-RS2
E39-RS2-CA *1



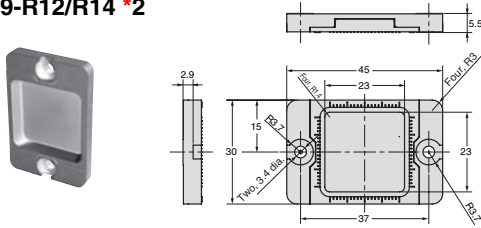
Material: Acrylics

E39-RS3
E39-RS3-CA *1

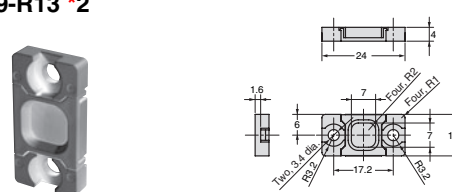


Material: Acrylics

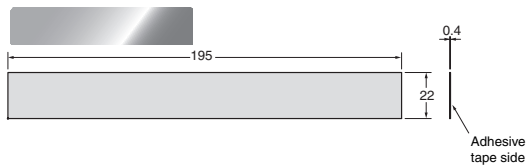
E39-R12/R14 *2



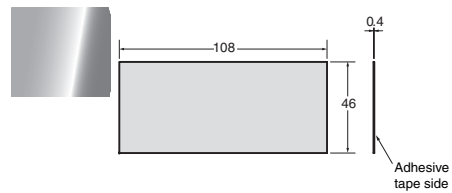
E39-R13 *2



E39-RS4 *2



E39-RS5 *2



*1. Models ending in the suffix "-CA" are reflectors only for E3T-SR4□.

*2. These Reflectors are for E3C-LDA-series Sensors. However, the E39-R12 can also be used with an E3Z-LR□ Retroreflective Laser Sensor.

Read and Understand This Catalog

Please read and understand this catalog before purchasing the products. Please consult your OMRON representative if you have any questions or comments.

Warranty and Limitations of Liability

WARRANTY

OMRON's exclusive warranty is that the products are free from defects in materials and workmanship for a period of one year (or other period if specified) from date of sale by OMRON.

OMRON MAKES NO WARRANTY OR REPRESENTATION, EXPRESS OR IMPLIED, REGARDING NON-INFRINGEMENT, MERCHANTABILITY, OR FITNESS FOR PARTICULAR PURPOSE OF THE PRODUCTS. ANY BUYER OR USER ACKNOWLEDGES THAT THE BUYER OR USER ALONE HAS DETERMINED THAT THE PRODUCTS WILL SUITABLY MEET THE REQUIREMENTS OF THEIR INTENDED USE. OMRON DISCLAIMS ALL OTHER WARRANTIES, EXPRESS OR IMPLIED.

LIMITATIONS OF LIABILITY

OMRON SHALL NOT BE RESPONSIBLE FOR SPECIAL, INDIRECT, OR CONSEQUENTIAL DAMAGES, LOSS OF PROFITS OR COMMERCIAL LOSS IN ANY WAY CONNECTED WITH THE PRODUCTS, WHETHER SUCH CLAIM IS BASED ON CONTRACT, WARRANTY, NEGLIGENCE, OR STRICT LIABILITY.

In no event shall the responsibility of OMRON for any act exceed the individual price of the product on which liability is asserted.

IN NO EVENT SHALL OMRON BE RESPONSIBLE FOR WARRANTY, REPAIR, OR OTHER CLAIMS REGARDING THE PRODUCTS UNLESS OMRON'S ANALYSIS CONFIRMS THAT THE PRODUCTS WERE PROPERLY HANDLED, STORED, INSTALLED, AND MAINTAINED AND NOT SUBJECT TO CONTAMINATION, ABUSE, MISUSE, OR INAPPROPRIATE MODIFICATION OR REPAIR.

Application Considerations

SUITABILITY FOR USE

OMRON shall not be responsible for conformity with any standards, codes, or regulations that apply to the combination of products in the customer's application or use of the products.

At the customer's request, OMRON will provide applicable third party certification documents identifying ratings and limitations of use that apply to the products. This information by itself is not sufficient for a complete determination of the suitability of the products in combination with the end product, machine, system, or other application or use.

The following are some examples of applications for which particular attention must be given. This is not intended to be an exhaustive list of all possible uses of the products, nor is it intended to imply that the uses listed may be suitable for the products:

- Outdoor use, uses involving potential chemical contamination or electrical interference, or conditions or uses not described in this catalog.
- Nuclear energy control systems, combustion systems, railroad systems, aviation systems, medical equipment, amusement machines, vehicles, safety equipment, and installations subject to separate industry or government regulations.
- Systems, machines, and equipment that could present a risk to life or property.

Please know and observe all prohibitions of use applicable to the products.

NEVER USE THE PRODUCTS FOR AN APPLICATION INVOLVING SERIOUS RISK TO LIFE OR PROPERTY WITHOUT ENSURING THAT THE SYSTEM AS A WHOLE HAS BEEN DESIGNED TO ADDRESS THE RISKS, AND THAT THE OMRON PRODUCTS ARE PROPERLY RATED AND INSTALLED FOR THE INTENDED USE WITHIN THE OVERALL EQUIPMENT OR SYSTEM.

PROGRAMMABLE PRODUCTS

OMRON shall not be responsible for the user's programming of a programmable product, or any consequence thereof.

Disclaimers

CHANGE IN SPECIFICATIONS

Product specifications and accessories may be changed at any time based on improvements and other reasons.

It is our practice to change model numbers when published ratings or features are changed, or when significant construction changes are made. However, some specifications of the products may be changed without any notice. When in doubt, special model numbers may be assigned to fix or establish key specifications for your application on your request. Please consult with your OMRON representative at any time to confirm actual specifications of purchased products.

DIMENSIONS AND WEIGHTS

Dimensions and weights are nominal and are not to be used for manufacturing purposes, even when tolerances are shown.

PERFORMANCE DATA

Performance data given in this catalog is provided as a guide for the user in determining suitability and does not constitute a warranty. It may represent the result of OMRON's test conditions, and the users must correlate it to actual application requirements. Actual performance is subject to the OMRON Warranty and Limitations of Liability.

ERRORS AND OMISSIONS

The information in this document has been carefully checked and is believed to be accurate; however, no responsibility is assumed for clerical, typographical, or proofreading errors, or omissions.

2012.8

In the interest of product improvement, specifications are subject to change without notice.

OMRON Corporation
Industrial Automation Company

<http://www.ia.omron.com/>

(c)Copyright OMRON Corporation 2012 All Right Reserved.