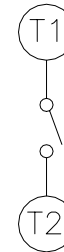
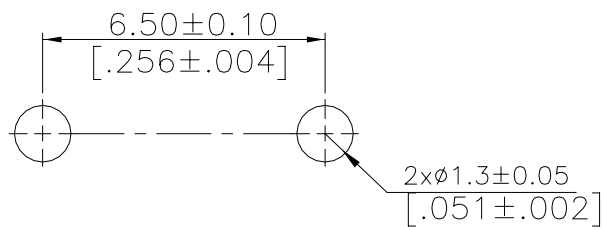
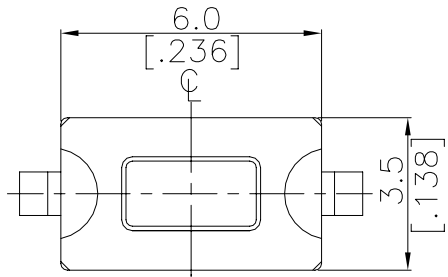


DTS(M)L-3, DTSMF-3 SERIES

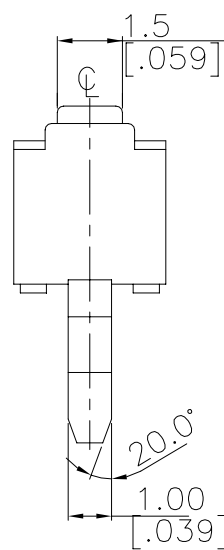
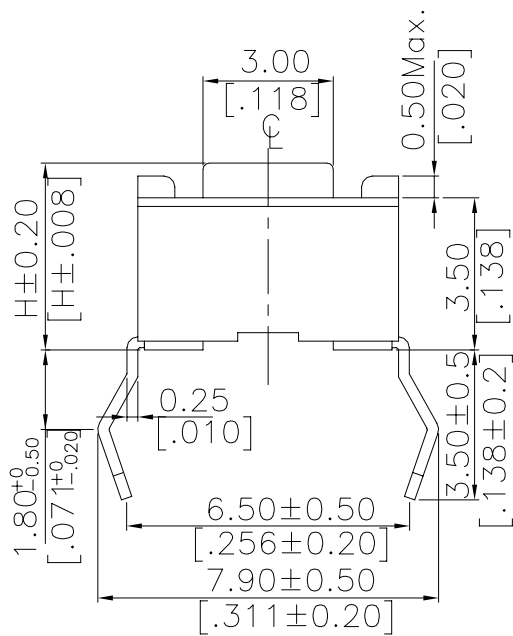
DIMENSIONS

DTS-3



P.C.B. LAYOUT

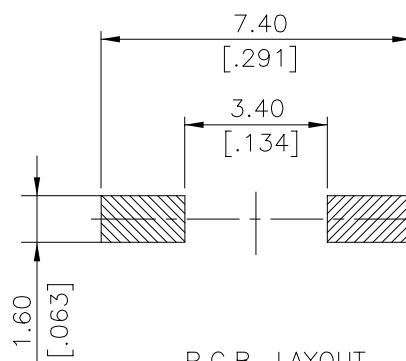
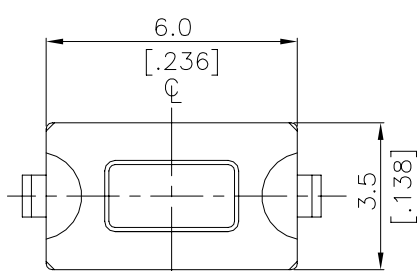
CIRCUIT DIAGRAM



DTS-32□-V	5.0 [0.197]	Y	YELLOW	520g
		S	SALMON	320g
		R	RED	260g
		N	BROWN	160g
DTS-31□-V	4.3 [0.169]	Y	YELLOW	520g
		S	SALMON	320g
		R	RED	260g
		N	BROWN	160g
PROD. NO.	H	COLOR FOR OPERATING FORCE		

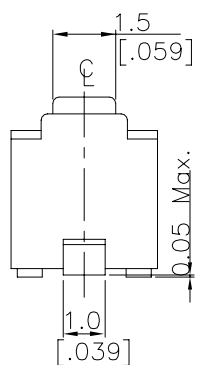
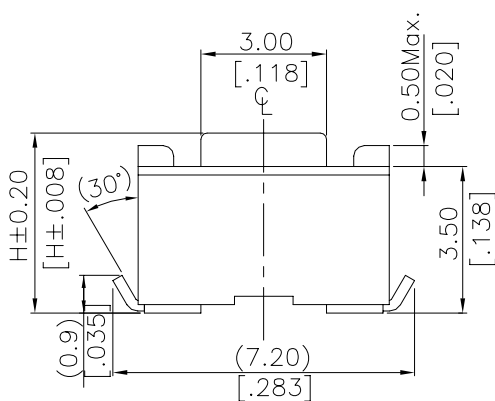
General Tolerance : ±0.2mm

DTSM-3



P.C.B. LAYOUT

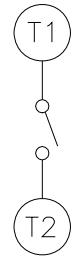
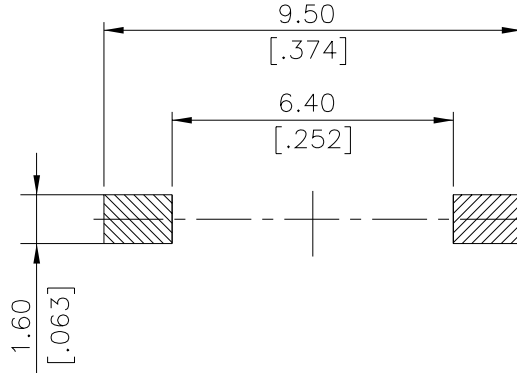
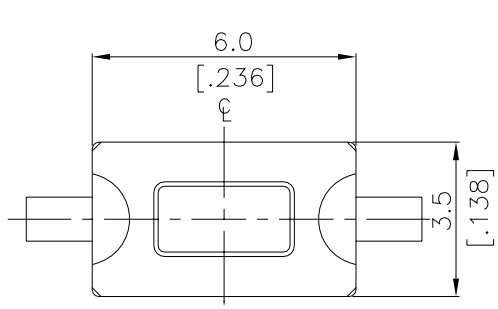
CIRCUIT DIAGRAM



DTSM-32□-V	5.0 [0.197]	Y	YELLOW	520g
		S	SALMON	320g
		R	RED	260g
		N	BROWN	160g
DTSM-31□-V	4.3 [0.169]	Y	YELLOW	520g
		S	SALMON	320g
		R	RED	260g
		N	BROWN	160g
PROD. NO.	H	COLOR FOR OPERATING FORCE		

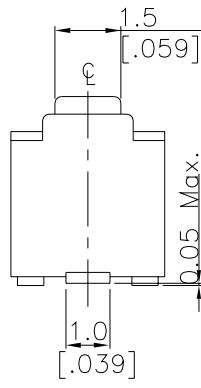
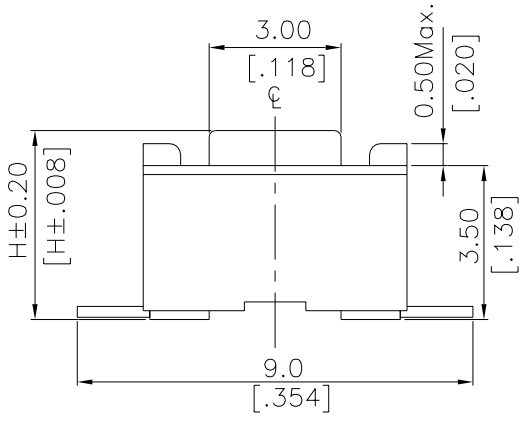
General Tolerance : ±0.2mm

DTSML-3



CIRCUIT DIAGRAM

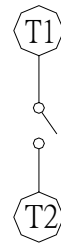
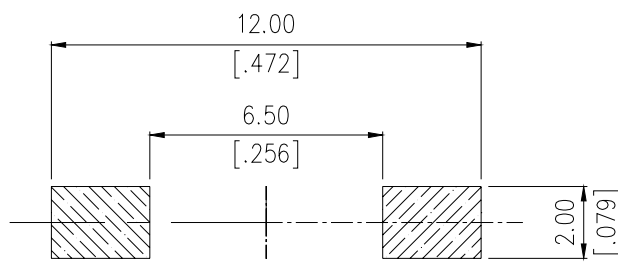
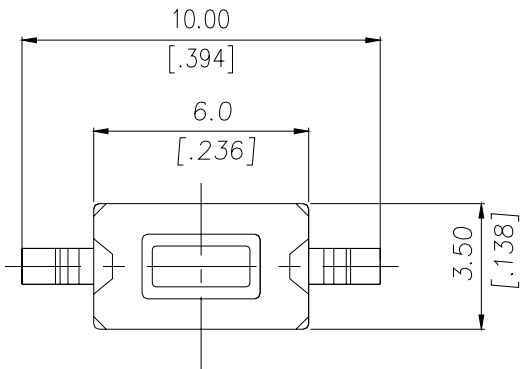
P.C.B. LAYOUT



DTSML-32□-V	5.0 [0.197]	Y	YELLOW	520g
		S	SALMON	320g
		R	RED	260g
		N	BROWN	160g
DTSML-31□-V	4.3 [0.169]	Y	YELLOW	520g
		S	SALMON	320g
		R	RED	260g
		N	BROWN	160g
PROD. NO.	H	COLOR FOR OPERATING FORCE		

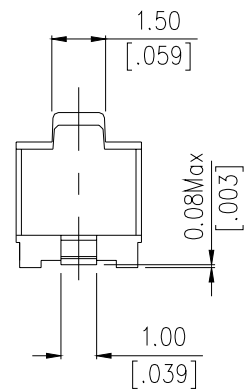
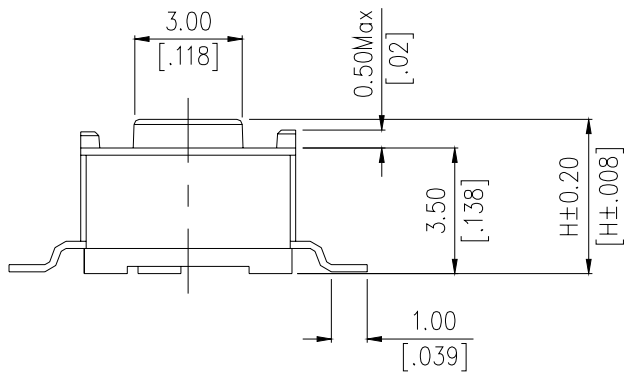
General Tolerance : ±0.2mm

DTSMF-3



CIRCUIT DIAGRAM

P.C.B. LAYOUT



DTSMF-32□-V	5.00	N	BROWN	160g
		R	RED	250g
DTSMF-31□-V	4.30	N	BROWN	160g
		R	RED	250g
PARTS NO.	H	COLOR	OPERATING FORCE	

General Tolerance : ±0.2mm

HOW TO ORDER

DTS- □ - □ □ □ - □ - □

Package Style:
B = Tube Package
T/R = Tape & Reel

Soldering:
V=Lead Free Solderable

Color of Stem for
Operating Force:
N = Brown, 160g
R = Red, 260gf
S = Salmon, 320gf
Y = Yellow, 520gf

Dimension H:
1 = 4.3mm
2 = 5.0mm

Prod. Size: 3 = 3.5x6mm

M = J Bend Terminal
□ = Through Hole Type
ML = Flat Terminal
MF = Gull Wing Terminal
Tactile Switch 3.5x6mm

SPECIFICATION

△MECHANICAL

Operation Force: 520 ± 130gf Yellow (Y)
320 ± 80gf Salmon (S)
260 ± 50gf Red (R)
160 ± 50gf Brown (N)

Stroke: 0.25 +0.20 / - 0.1 mm

Operation Temperature: -25°C to +70°C

Storage Temperature: -30°C to +80°C

△ELECTRICAL

Electrical Life: 50,000 cycles for 160gf, 320gf
30,000 cycles for 260gf, 520gf

Rating: 50mA, 12VDC

Contact Resistance: 100mΩ max.

Insulation Resistance: 100MΩ min. at 500VDC

Dielectric Strength: 250VAC/ 1minute

Contact Arrangement: 1 pole 1 throw

MATERIAL

△COVER: Stainless steel

△BASE: UL94V-0 Nylon High-Temp. Thermoplastic

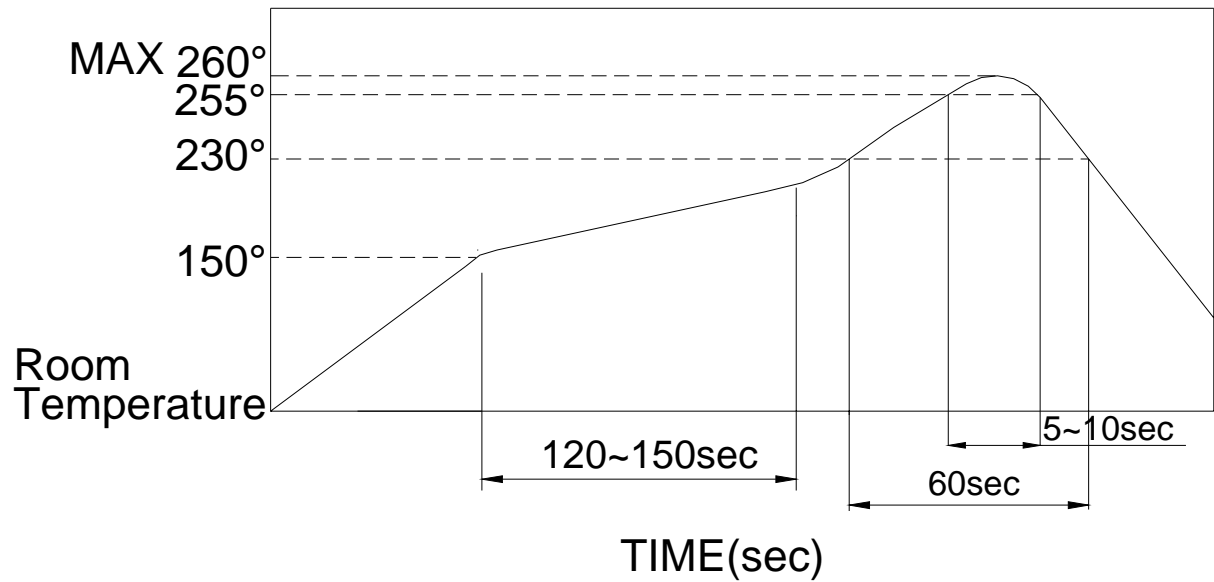
△STEM: UL94V-0 Nylon High-Temp. Thermoplastic
Color: Brown, (160gf), Red (260gf)
Salmon (320gf), Yellow (520gf)

△CONTACT DISC: Stainless with silver cladding

△TERMINAL: Brass with silver plated

SOLDERING PROCESS

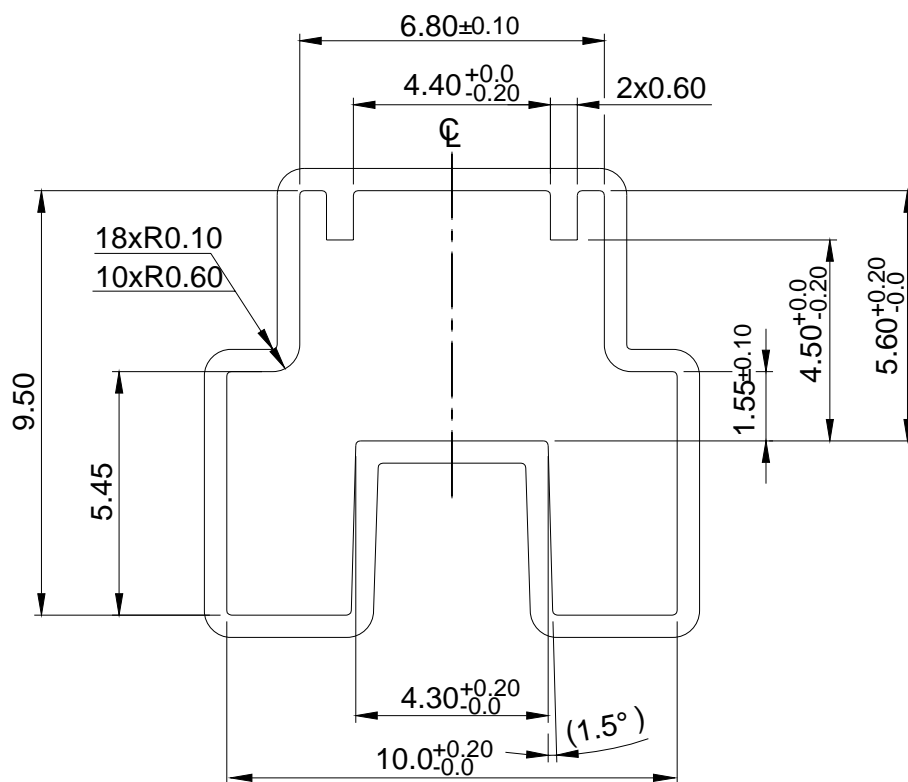
- △**HAND SOLDERING** : Use a soldering iron of 30 watts, controlled at 350°C approximately max 5 seconds while applying solder.
- △**REFLOW SOLDERING**: When applying reflow soldering, the peak temperature or the reflow oven should be set at 260°C max.
- △**WAVE SOLDERING**: Recommended solder temperature at 500°F (260°C) max. 5 seconds for through hole type. subject to P.C.B 1.6mm thickness.
- △**Reflow Temperature Profile**:



PACKING

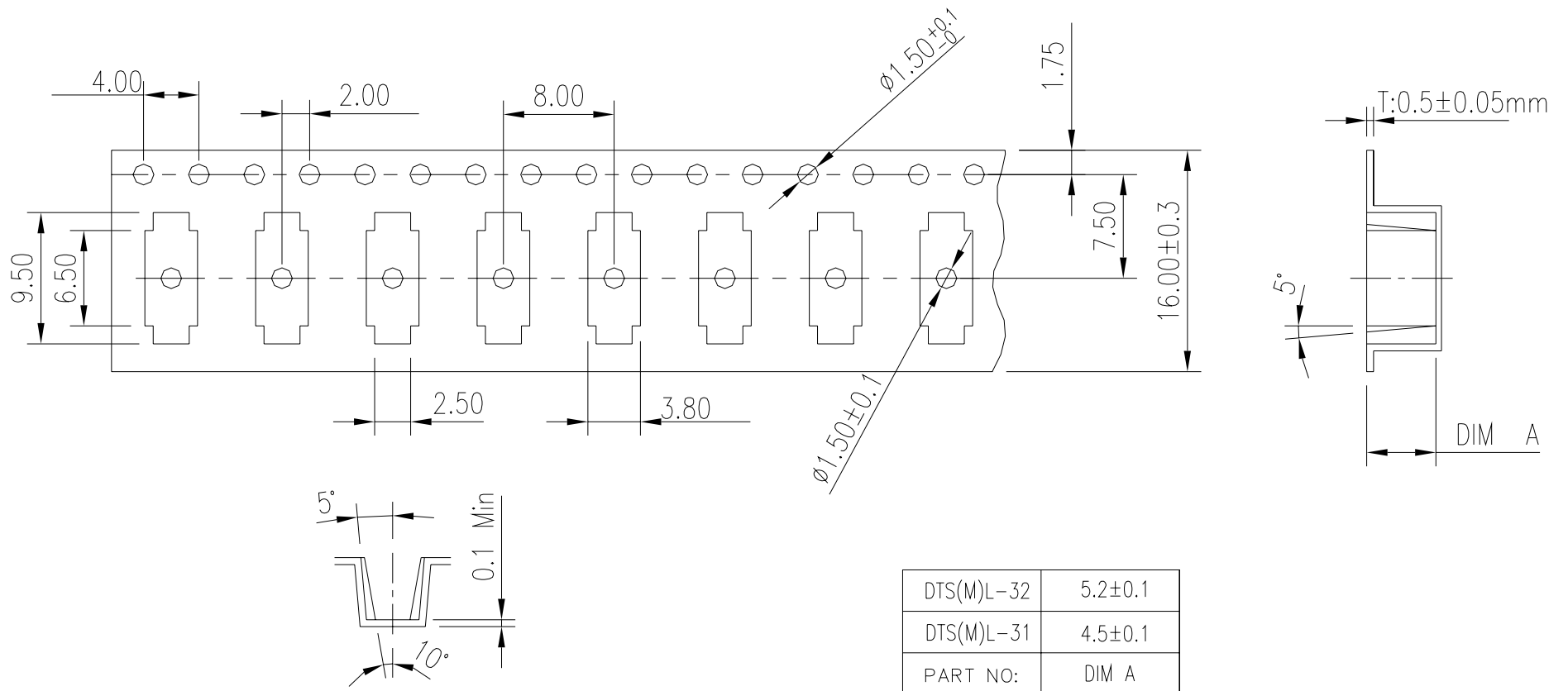
Part Number	Number Per Tube	Number Per Reel
DTS-3	135	-
DTS(M)L-31	135	1800
DTS(M)L-32	135	1600
DTSMF-31		1800
DTSMF-32		1600

TUBE



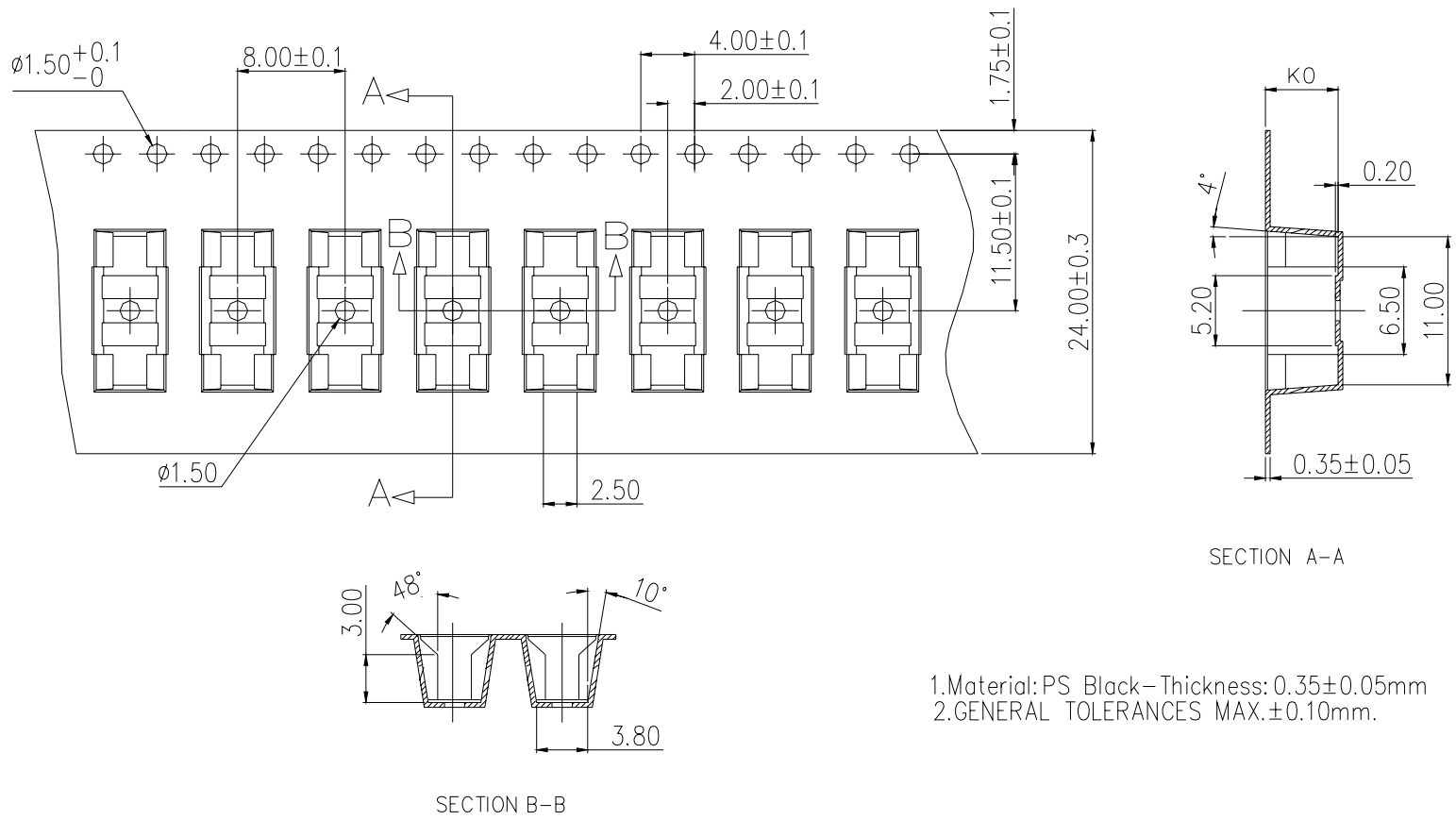
General Tolerance : ±0.2mm

REEL



General Tolerance : ±0.1mm

DTSMF-3



General Tolerance : ±0.1mm