

REV.	DESCRIPTION	DRAWN	CHECKED	APPROVED
A	NEW RELEASE	LJC 08/17/07'	~	

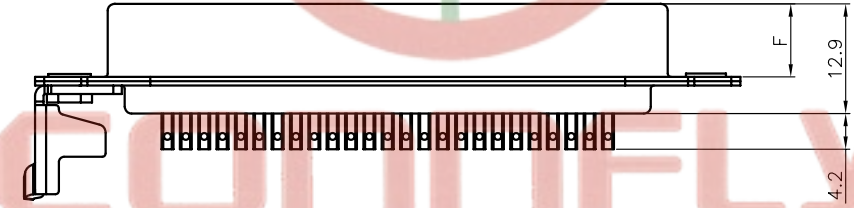
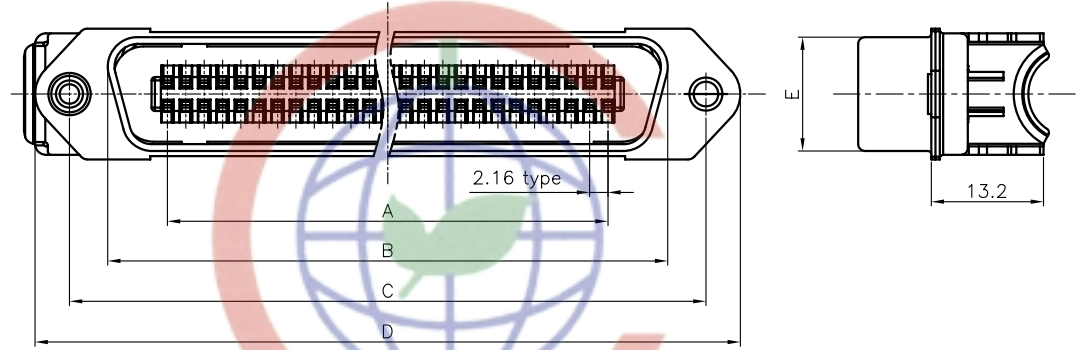
NOTES:

- MATERIALS:
 - . Housing: PBT+30% Glass Filber(UL 94 V-0).
 - . Hood: ABS.
 - . Washer: ABS.
 - . Shell: Steel.
 - . Contact: Copper alloy.
 - . Screw: Steel.
- SPECIFICATION:
 - . Current Rating: 3A
 - . Dielectric withstanding voltage: 500V For 1 minute
 - . Insulator Resistance: 1000MΩ min
 - . Temperature Range: -20°C ~ +105°C

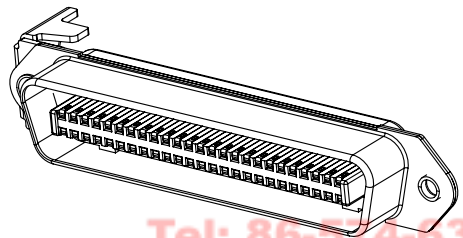
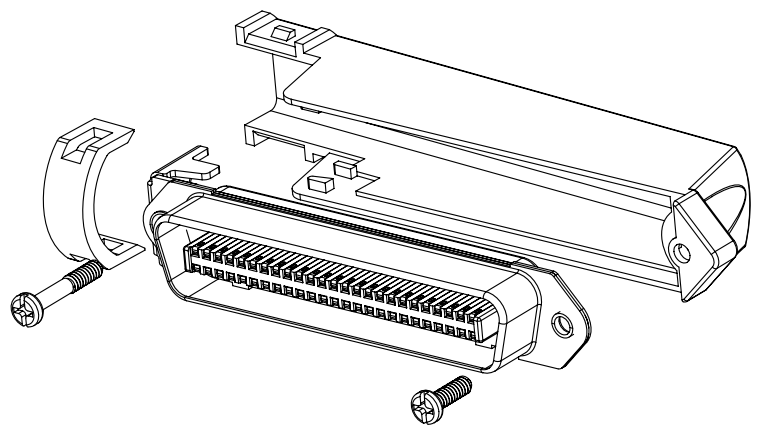
3. PRODUCT NUMBER CODE:

DS1078-01 - X X X X X

- X: Hood support
- X: W/O Hood,SR & SCREWS
- S: W/ Hood,SR & SCREWS
- Color of housing
- L:Blue
- B:Black
- CONTACT PLATED
- O: Selective gold flash
- Connector type
- M: Male
- F: Female
- No. of contacts
- 36: 36pin
- 50: 50pin



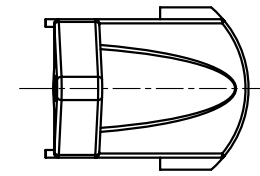
Positions	A	B		C	D	E		F	
		Male	Female			Male	Female	Male	Female
36pin	36.72	50.3	49.0	59.7	67.7	13.3	11.7	8.6	8.3
50pin	51.84	65.9	64.0	74.9	82.8	13.3	11.7	8.6	8.3



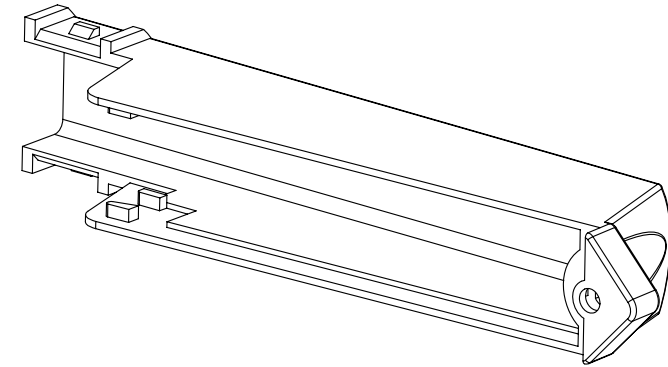
Tel: 86-574-63508787
Fax: 86-574-63510817

GENERAL TOLERANCE	ANGLE TOLERANCE	PROJECTION	UNIT	TITLE	CENTRONIC CONNECTORS SOLDER WITH HOOD & SCREWS TYPE
X. ±0.60	X. ±5°	mm	A4	SERIES DS1078-01	
.X ±0.38	.X ±3°				
.XX ±0.25	.XX ±2°				
DRAWING TYPE	CUSTOMER				
SCALE	1:1	SHEET	1 OF 2		
DRAWING NO.	C-DS1078-01-XXXXX				

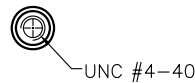
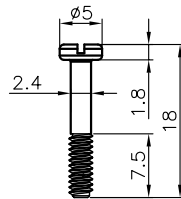
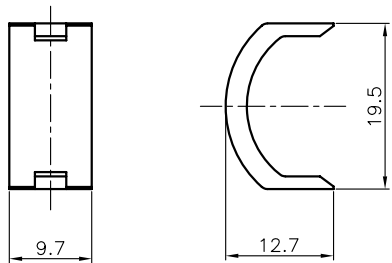
晨翔电子有限公司
CONNFLY CONNFLY ELECTRONIC CO. LTD



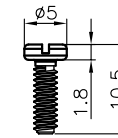
Positions	G
36pin	89.7
50pin	103.5



Hood




Long screw



Short screw

SR

GENERAL TOLERANCE		ANGLE TOLERANCE		PROJECTION	TITLE
X.	±0.60	X.	±5°	mm	HOOD SR & SCREWS OF DS1078-01
.X	±0.38	.X	±3°	A4	SERIES DS1078-01
.XX	±0.25	.XX	±2°		
DRAWING TYPE	CUSTOMER	 晨翔电子有限公司 CONNFLY CONNFLY ELECTRONIC CO. LTD			
SCALE	1:1	SHEET	2 OF 2		
DRAWING NO.	C-DS1078-01-XXXXX				

Tel: 86-574-63508787

Fax: 86-574-63510817

E-mail: connfly@connfly.com
<http://www.connfly.com>

Address: West Caom Town Cixi Ningbo China

P.C.: 315321