

Inlet for PCB mounting, fuse 1-/2-pole, line switch 2-pole

Standard or Medical Fuse drawer



new



C14



70° C

**Description**

- Panel Mount:
- Screw-on mounting on PCB from rear-side
- 3 Functions:
 - Inlet Protection class I, Line switch 2-pole, Fuseholder for fuse-links 5 x 20 mm 1- or 2-pole
- PCB solder terminals
- Alternative: version with line filter [DD22](#)
- With cover on rear-side

Characteristics

- Ultra-compact design. Ideal for low profile designs
- All single elements are already wired
- For added safety "Extra-Safe" fuse drawers are available
 - Fuse drawer meets requirements of medical standard IEC/EN 60601-1
 - The fuse drawer can only be opened with the aid of a tool
 - The fuseholder is accessible from the equipment front
- Ideal for application with high transient loads
- Qualified for use in equipment according IEC/EN 60950

Other versions on request

- Fuse drawer 1-pole, plus spare fuse case
- Fuse drawer 2-pole, with shorting bar
- Other rocker marking
- Line switch 1-pole
- Protection class II, 70°C

Weblinks

Approvals: www.schurter.com/approvals
 RoHS: <http://www.schurter.com/rohs>
 CHINA-RoHS: www.schurter.com/china-rohs
 Webstore: www.schurterinc.com/estore/search.ihtml

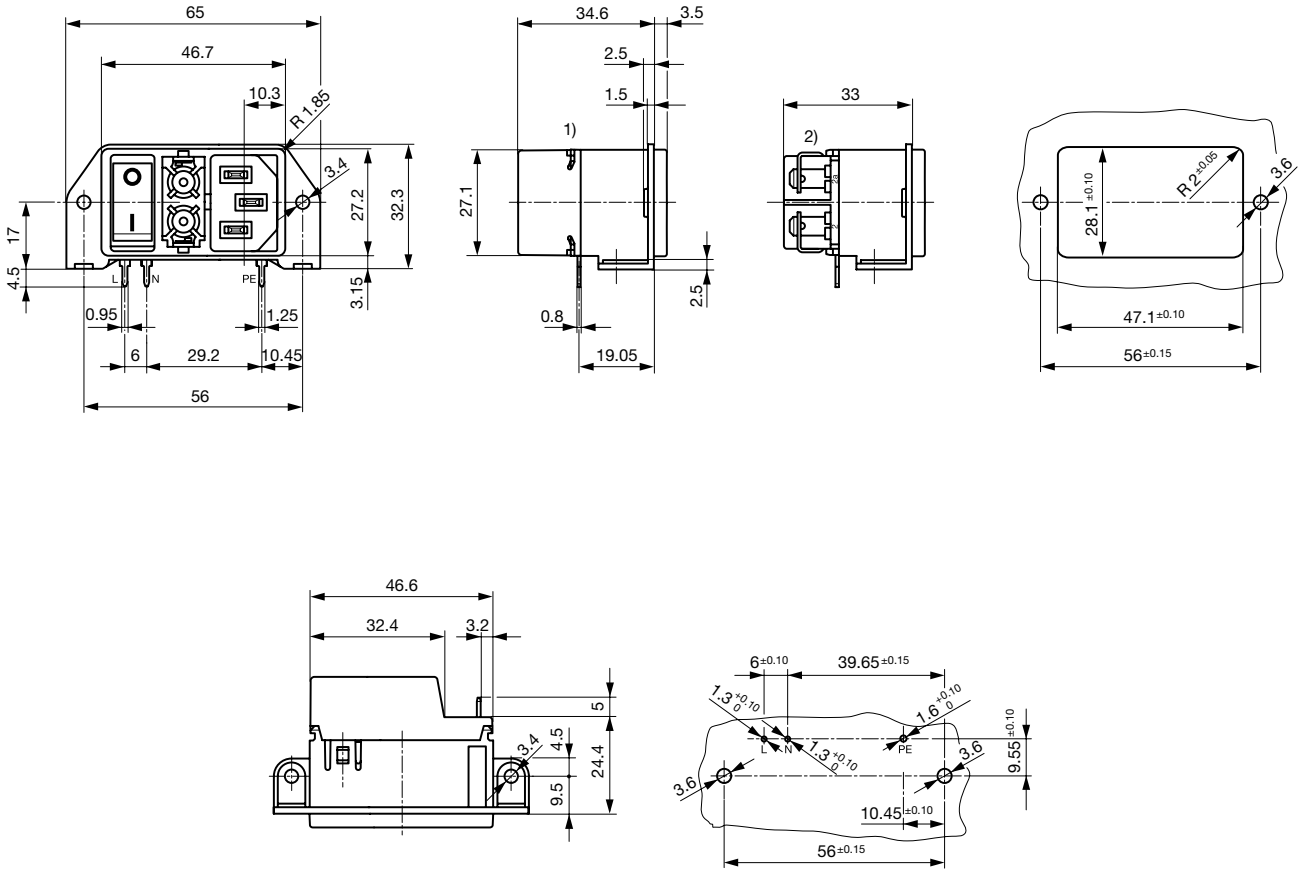
Technical Data

Ratings IEC	10A / 250VAC; Hz 50
Ratings UL/CSA	8A / 125VAC; 60Hz
Dielectric Strength	> 2.5 kVAC between L-N > 3 kVAC between L/N-PE (1 min/50Hz)
Allowable Operation Temp.	-25 °C to 85 °C
Degree of Protection	from front side IP 40 acc. to IEC 60529
Protection Class	Suitable for appliances with protection class I or II acc. to IEC 61140
Terminal	For PCB mounting 3 mm, Ground terminal, additional quick connect 4.8 x 0.8 mm
Panel Thickness s	Screw-on: max 3 mm Mounting screw torque max 0.5 Nm
Material: Housing	Thermoplastic, black, UL 94V-0

Appliance-Inlet /-Outlet	C14 acc. to IEC/EN 60320-1 UL 498, CSA C22.2 no. 42 (for cold condition) pin-temperature 70 °C, 10A, Protection class I
Fuseholder	1 or 2 pole, Shocksafe category PC2 acc. to IEC 60127-6, for fuse-links 5 x 20 mm
Rated Power Acceptance @ Ta 23 °C	5 x 20: 2 W (1 pole)/ 1.6 W (2-pole) per pole
Power Acceptance @ Ta > 23°C	Admissible power acceptance at higher ambient temperature see derating curves
Line Switch	Rocker switch 2-pole, non-illuminated or illuminated, acc. to IEC 61058-1 Technical details

Dimensions
Screw version

Length |-----| 65 mm

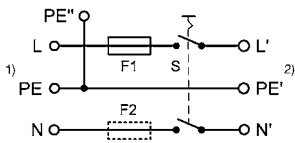


- 1) with cover
- 2) without cover

For grounding additional quick connect terminal 4.8 x 0.8 mm

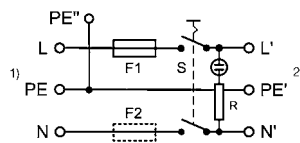
Diagrams

non illuminated



- 1) Line
- 2) Load

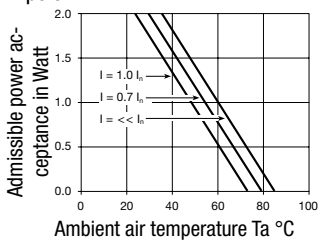
illuminated



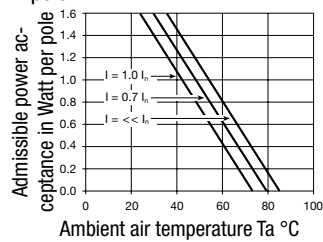
- 1) Line
- 2) Load

Derating Curves for Fuseholders

1-pole



2-pole



Variants[Webstore](#)

Fuse drawer must be ordered separately (see accessories).
Fingerrip and Extra Safe. The same drawer as used by type KEA.

Fuseholder	Line Switch	Illumination	Color	Order Number
1 pole	2-pole	non-illuminated	-	DD21.0111.1111
1 pole	2-pole	illuminated	red	DD21.0113.1111
1 pole	2-pole	illuminated	green	DD21.0114.1111
2-pole	2-pole	non-illuminated	-	DD21.0121.1111
2-pole	2-pole	illuminated	red	DD21.0123.1111
2-pole	2-pole	illuminated	green	DD21.0124.1111

Packaging unit 40 Pcs

Required Accessory**Description**

Fusedrawer 2
Fusedrawer with and without voltage selector insert