



**FEATURES:**

- Super wide Input range
- Extremely High Input range up to 1500VDC
- Operating temperature of -40 to +70°C
- Over current and Over Voltage protection
- No minimum load required
- High efficiency of up to 80%
- I/O Isolation of 4000VAC
- Reversed connection protection



**Models**  
**Single output**

Model	Input Voltage (V)	Output Voltage (V)	Output Current max (A)	Isolation (VAC)	Max Capacitive Load(μF)	Efficiency (200VDC) (%)
AM10W-60005S-NZ**	100-1000	5	2	4000	6000	72
AM10W-60009S-NZ**	100-1000	9	1.11	4000	4000	76
AM10W-60024S-NZ**	100-1000	24	0.42	4000	470	80
AM10W-80005S-NZ	200-1500	5	2	4000	6000	64*

\*Measured at 800VDC nominal input.

\*\* Add suffix “-ST” for optional screw terminal bottom plate or “-STD” for optional DIN Rail screw terminal bottom plate.

NOTE: All specifications in this datasheet are measured at an ambient temperature of 25°C, humidity<75%, nominal input voltage and at rated output load unless otherwise specified.

**Input Specifications**

Parameters	Nominal	Typical	Maximum	Units
Voltage range	600VDC		100-1000	VDC
	800VDC		200-1500	
Input Current	600VDC input models - 200VDC		75	mA
	600VDC input models 600VDC		25	
	600VDC input models 1000VDC		16	
	800VDC input models - 200VDC		120	
	800VDC input models 800VDC		30	
	800VDC input models 1500VDC		16	
Inrush current <2ms	600VDC input models - 200VDC	7		A
	600VDC input models 600VDC	20		
	600VDC input models 1000VDC	30		
	800VDC input models - 200VDC	30		
	800VDC input models 800VDC	80		
	800VDC input models 1500VDC	150		
External fuse	600VDC input models, Slow blow	1		A
	800VDC input models, Slow blow		15A/1500VDC	
Startup time	200-1000VDC		1	s
	200-1500VDC		2	
Input under voltage protection	800VDC input models only, ON		170-185	VDC
	800VDC input models only, OFF		180-195	

**Isolation Specifications**

Parameters	Conditions	Typical	Maximum	Units
Tested I/O voltage	1 min	4000		VAC

**Output Specifications**

Parameters	Conditions	Typical	Maximum	Units
Voltage accuracy		±2		%
Line voltage regulation	LL-HL, full load	±1		% of Vin
Load voltage regulation	0-100% load	±1		%
Over voltage protection	Zener diode clamp			
Over current protection	600VDC input models		110	% of Iout

	800VDC input models	120-320	
Short Circuit protection	Continuous		
Short circuit restart	Auto recovery		
Temperature coefficient		±0.02	%/°C
Ripple & Noise	20MHz Bandwidth, 600VDC input models	100	200
	20MHz Bandwidth, 800VDC input models	150	300

## General Specifications

Parameters	Conditions	Typical	Maximum	Units
Switching frequency	600VDC input models, 100% load		75	KHz
	800VDC input models, 100% load	65		
Operating temperature	With derating	-40 to 70		°C
Storage temperature		-40 to 95		°C
Maximum case temperature			95	°C
Cooling	Natural convection			
Humidity			95	% RH
Case material	Heat resistant, black plastic (UL94-V0)			
Weight	600VDC input models	95 With optional -ST mounting plate: 150 With optional -STD mounting plate: 190		g
	800VDC input models	300		
Dimensions (L x W x H)	600VDC input models	2.76 x 1.89 x 0.93 inches	70.00 x 48.00 x 23.50 mm	
	With optional -ST mounting plate:	3.78 x 2.13 x 1.26 inches	96.10 x 54.00 x 32.00 mm	
	With optional -STD mounting plate:	3.78 x 2.13 x 1.26 inches	96.10 x 54.00 x 36.60 mm	
	800VDC input models	4.92 x 2.95 x 1.58 inches	125.00 x 75.00 x 40.00 mm	
MTBF	>300,000 hrs (MIL-HDBK -217F, Ground Benign, t=+25°C)			
Maximum soldering temperature	600VDC input models, 1.5mm from case for 5-10 sec		260	°C
	800VDC input models, 1.5mm from case for 3-5 sec		360	

## Safety Specifications

Parameters		
Standards	EMI - Conducted and radiated emission	EN55022, class A (with the recommended EMC circuit) EN55024: 2010
	Electrostatic Discharge Immunity	IEC 61000-4-2: Contact ±6KV/Air ±8KV, Criteria B
	RF, Electromagnetic Field Immunity	IEC 61000-4-3: 10V/m, Criteria A
	Electrical Fast Transient/Burst Immunity (600VDC Vin)	IEC 61000-4-4: ±4KV, Criteria B
	Electrical Fast Transient/Burst Immunity (800VDC Vin)	IEC 61000-4-4: ±2KV, Criteria B (with the recommended EMC circuit)
	Surge Immunity (600VDC Vin)	IEC 61000-4-5: ±2KV, Criteria B
	Surge Immunity (800VDC Vin)	IEC 61000-4-5: ±1KV, Criteria B (with the recommended EMC circuit)
	RF, Conducted Disturbance Immunity	IEC 61000-4-6: 10Vrms, Criteria A
	Power frequency Magnetic Field Immunity	IEC 61000-4-8: 10A/m, Criteria A
Voltage dips, Short Interruptions Immunity	IEC 61000-4-11: 0-70%, Criteria B	

## Pin Out Specifications

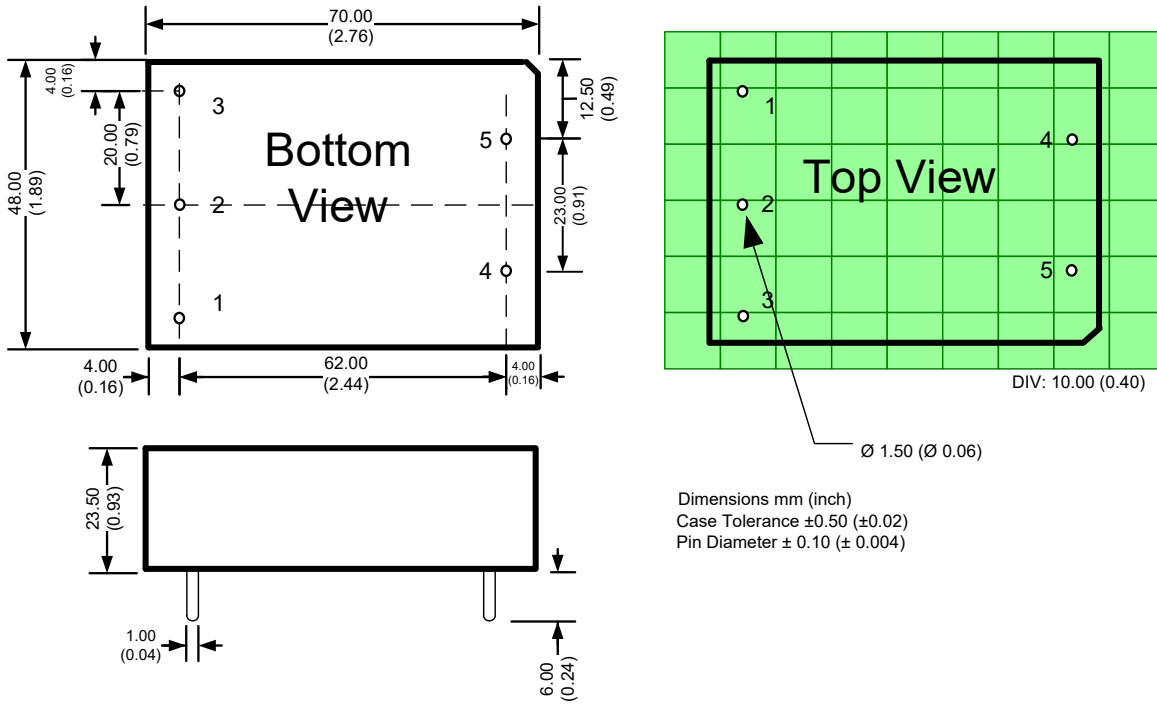
Pin	600VDC Input
1	N.C.
2	-Vin
3	+Vin
4	-Vout
5	+Vout

Pin	800VDC Input
1	+Vin
2	-Vin
3	+Vout
4	-Vout
5	N.C.

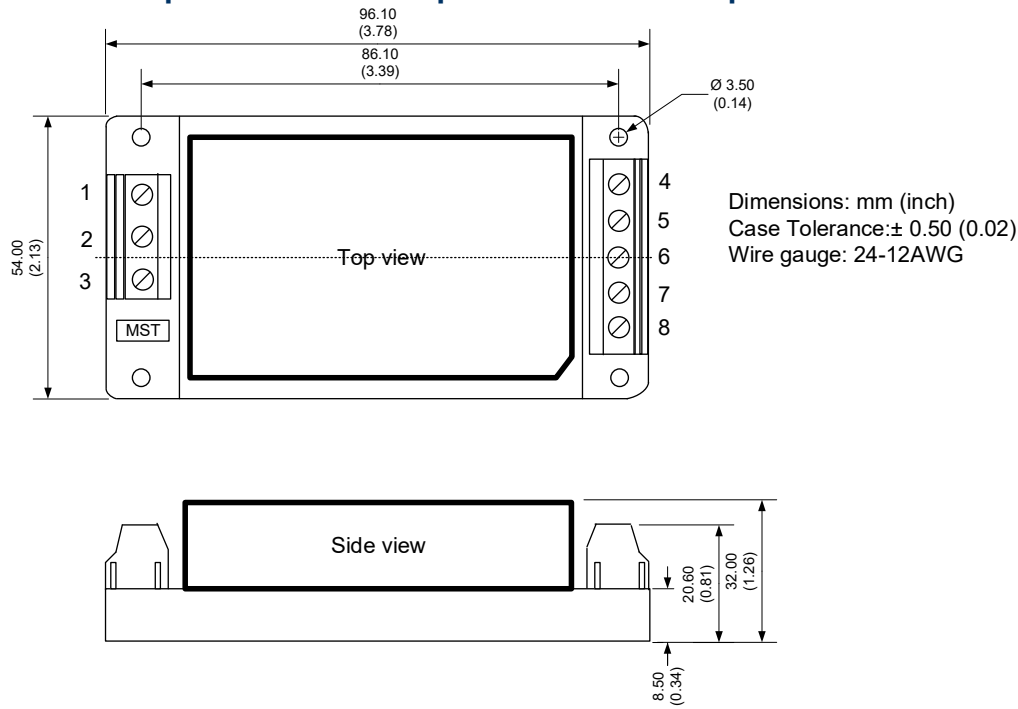
N.C. Not connected

**Dimensions**

**600VDC input models**



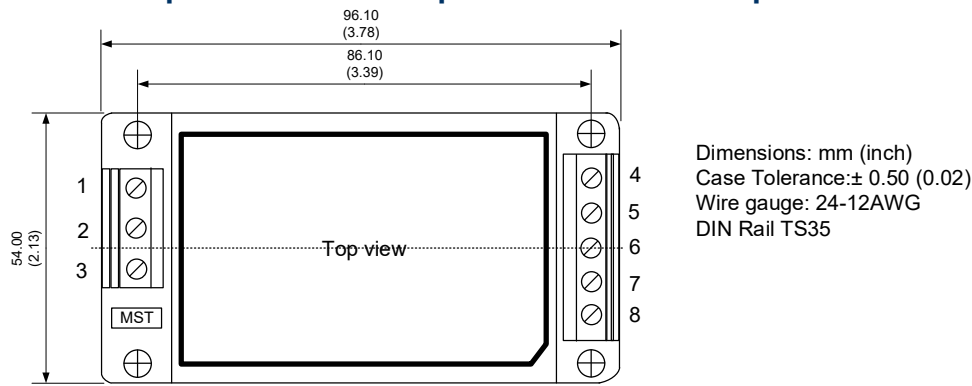
**600VDC input models with optional -ST bottom plate**



**Pin Out Specifications**

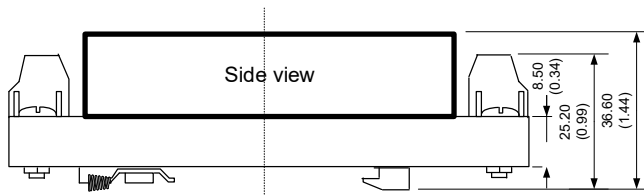
Pin	Single
1	-Vin
2	N.C.
3	+Vin
4	-Vout
5	N.C.
6	N.C.
7	N.C.
8	+Vout

**600VDC input models with optional -STD bottom plate**

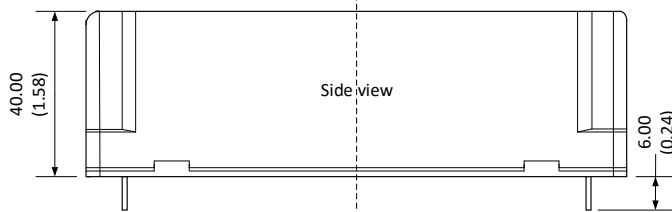
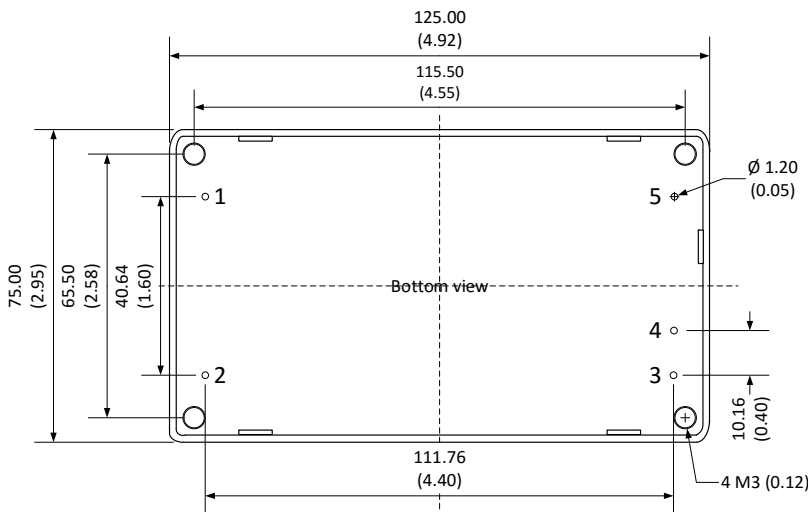


**Pin Out Specifications**

Pin	Single
1	-Vin
2	N.C.
3	+Vin
4	-Vout
5	N.C.
6	N.C.
7	N.C.
8	+Vout



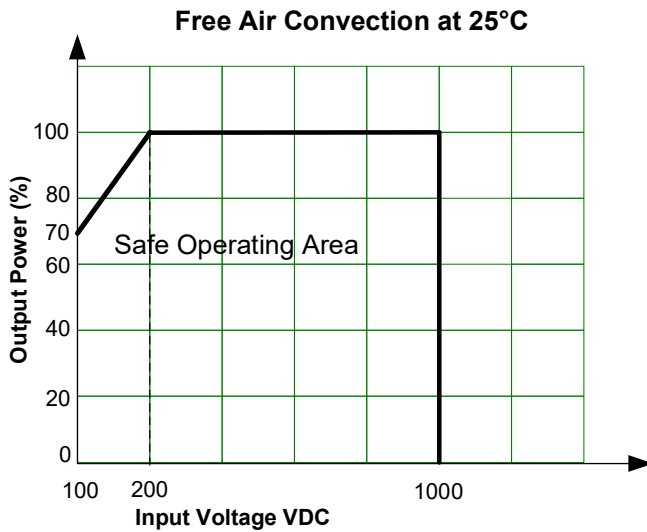
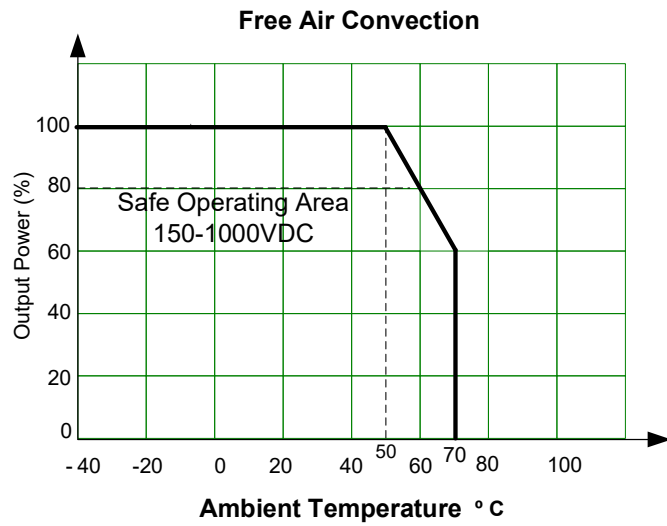
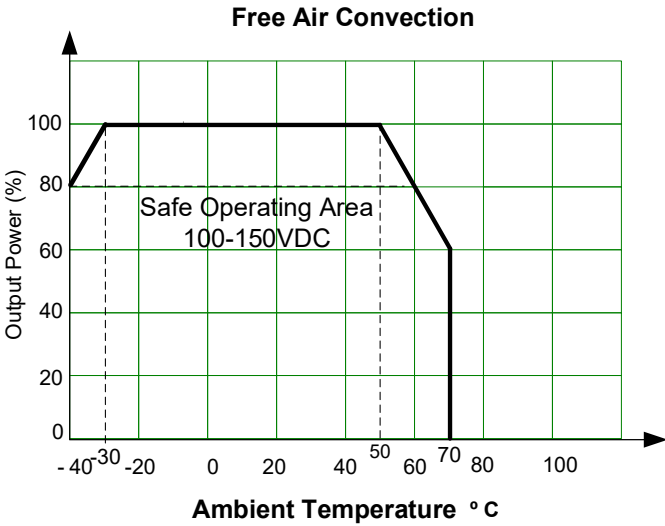
**800VDC input models**



Dimensions mm (inch)  
Case Tolerance ± 0.50 (± 0.02)  
Pin Diameter Tolerance ± 0.10 (± 0.004)  
Pin Length Tolerance ± 1.50 (± 0.06)

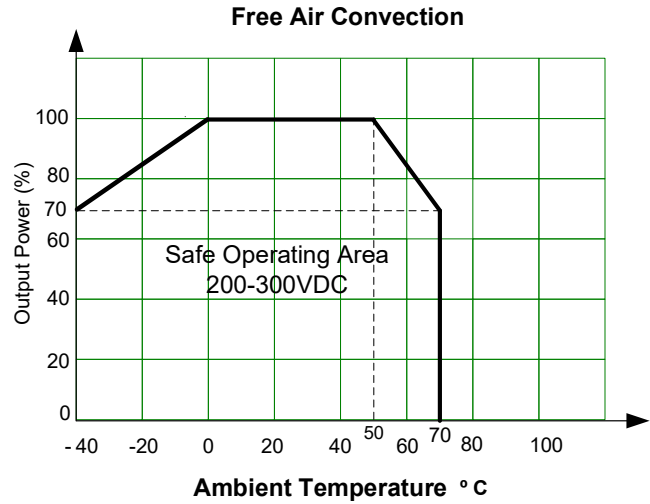
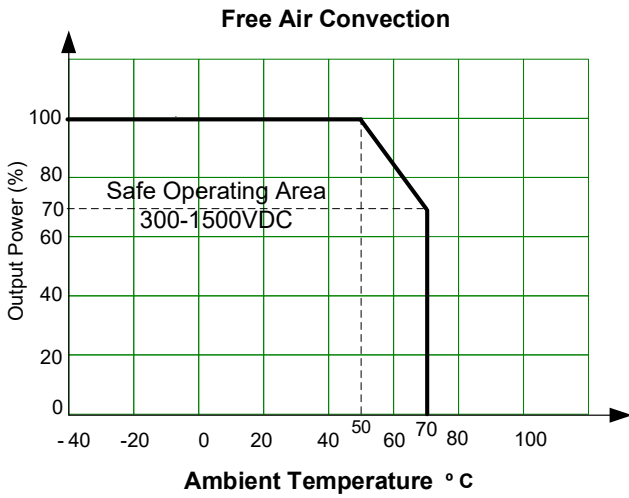
**Derating**

**600VDC input models**

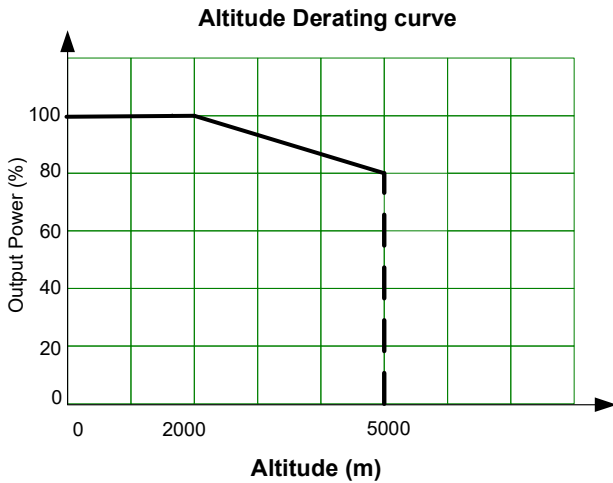


NOTE: 1. Derated Pout = Pout \* temp. derating \* Vin derating.  
2. Sufficient air space for natural air flow around must be considered.

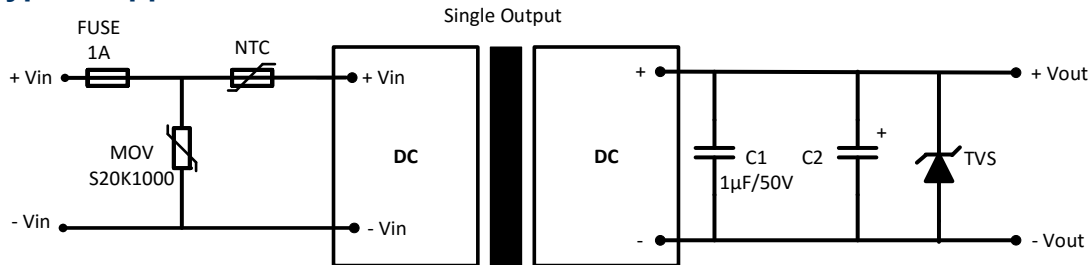
**800VDC input models\***



\*NOTE: Derating is indicated at natural convection. Sufficient air space around is needed.



**Typical Application circuit \***

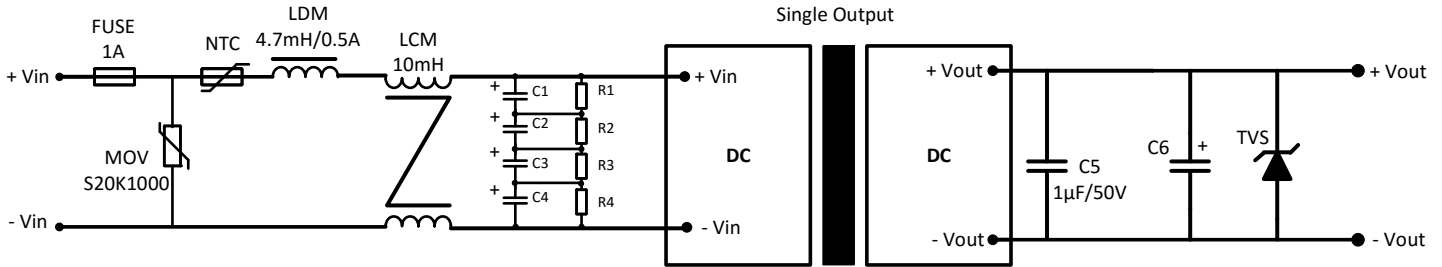


Model	C2	TVS
5 Vout	220 µF / 35V	7V
9 Vout	120 µF / 35V	12V
24 Vout	68 µF / 35V	33V

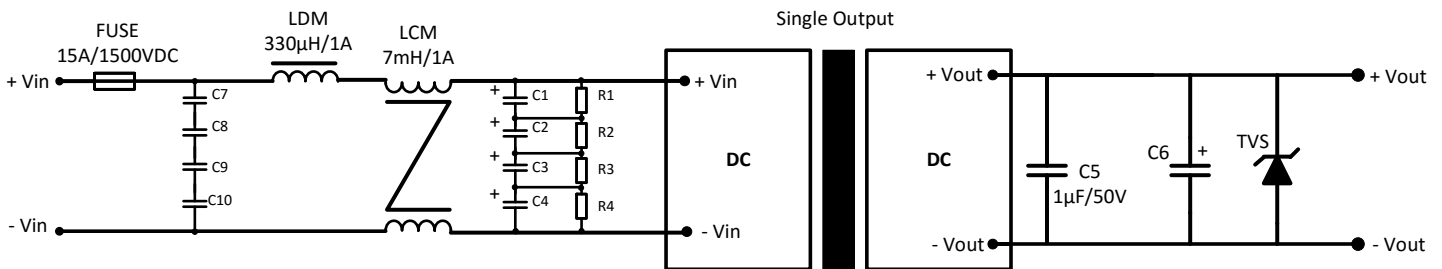
\*NOTE: For 800VDC Input models NTC and MOV are not needed.

## Recommended EMC Circuit

### 600VDC input models



### 800VDC input models



Model	C1, C2, C3 & C4	C7, C8, C9 & C10	R1, R2, R3 & R4	C6	TVS
5 Vout	47 µF/450V	100 nF/275V	1MΩ / 2W	220 µF / 35V	7V
9 Vout				120 µF / 35V	12V
24 Vout				68 µF / 35V	33V

**NOTE:** 1. Datasheets are updated as needed and as such, specifications are subject to change without notice. Once printed or downloaded, datasheets are no longer controlled by Aimtec; refer to [www.aimtec.com](http://www.aimtec.com) for the most current product specifications. 2. Product labels shown, including safety agency certifications on labels, may vary based on the date manufactured. 3. Mechanical drawings and specifications are for reference only. 4. All specifications are measured at an ambient temperature of 25°C, humidity<75%, nominal input voltage and at rated output load unless otherwise specified. 5. Aimtec may not have conducted destructive testing or chemical analysis on all internal components and chemicals at the time of publishing this document. CAS numbers and other limited information are considered proprietary and may not be available for release. 6. This product is not designed for use in critical life support systems, equipment used in hazardous environments, nuclear control systems or other such applications which necessitate specific safety and regulatory standards other than the ones listed in this datasheet. 7. Warranty is in accordance with Aimtec's standard Terms of Sale available at [www.aimtec.com](http://www.aimtec.com).