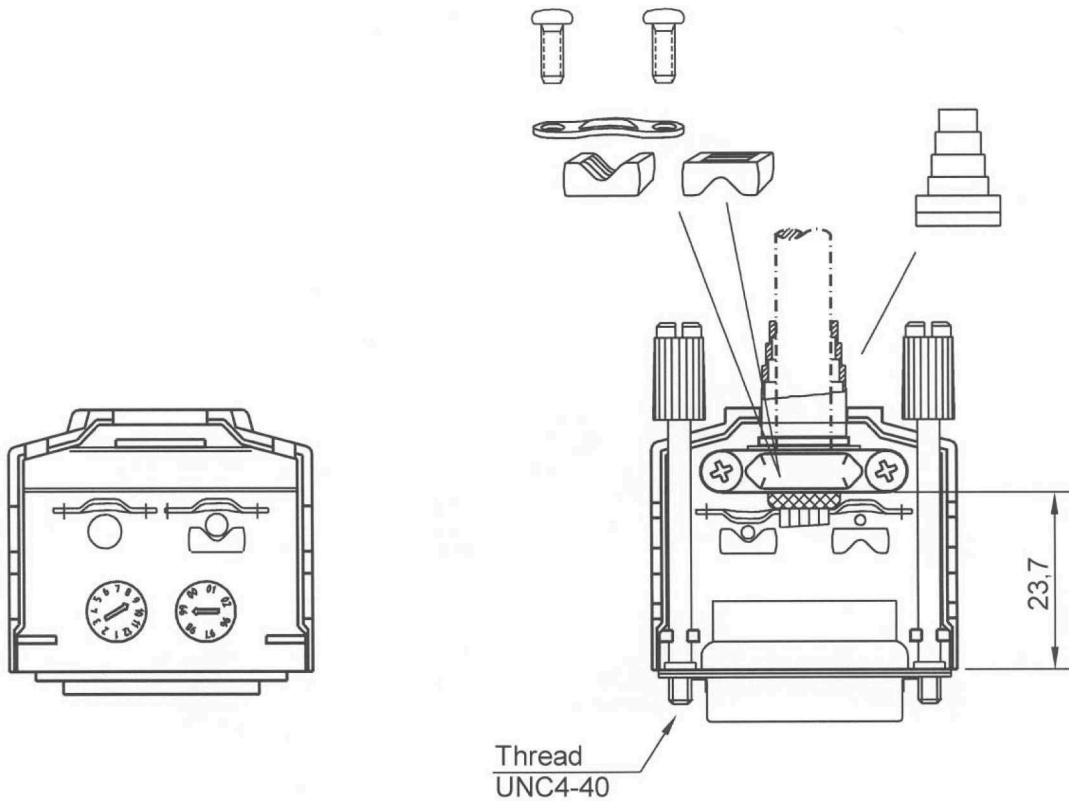
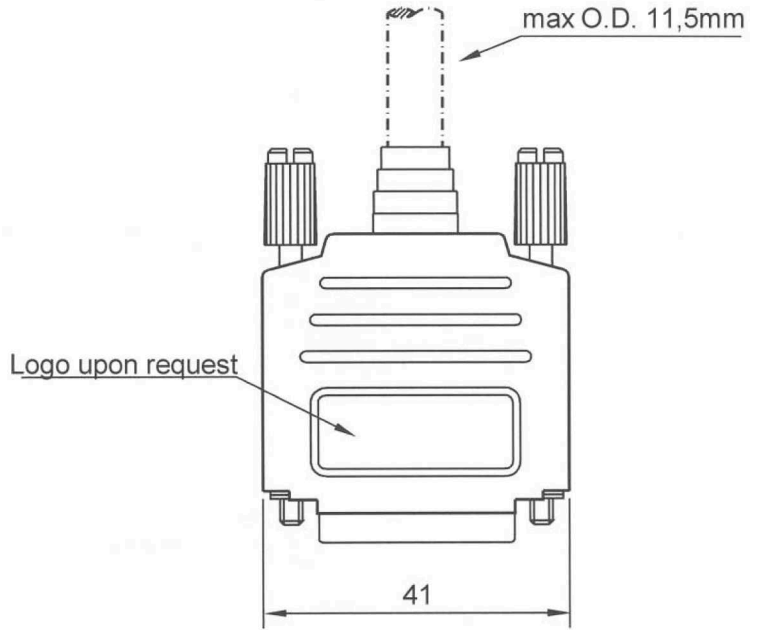
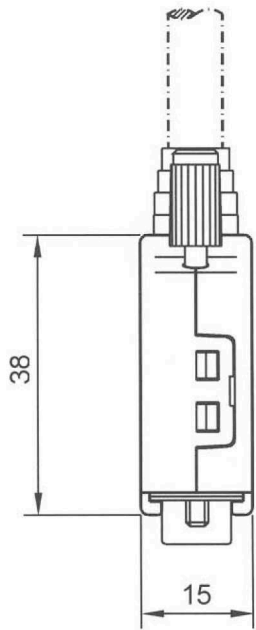


No.	Changes and/or Note No.	Date	Intr.	No.	Changes and/or Note No.	Date	Intr.



DATE 000218	DRAWN GMN	SCALE 1:1	MATERIAL TYPE		
6260-0105-02 - Kit 6261-0105-02 - Bulk	APPROVED		REPLACES		
			<b>DPPK-M-15</b>		
					DRAWING No 6688-9506