

MINIATURE CERAMIC SMD CRYSTAL



ABM3

5.0 X 3.2 X 1.3mm

ABM3

Pb in Glass, exemption 7C-I per RoHS II Directive 2011/65/EU Annex | **RoHS/RoHS II Compliant.**

Smaller package alternative for ABM7 series

Moisture Sensitivity Level (MSL) – This product is Hermetically Sealed and not Moisture Sensitive - MSL = N/A: Not Applicable

FEATURES:

- AT-cut fundamental or 3rd OT mode
- Suitable for RoHS reflow profile
- Tight Stability available ± 10
- Ceramic package hermetically glass sealed assures high precision and reliability.

APPLICATIONS:

- Cellular telephones, pagers
- Communication and test equipment
- PCMCIA and wireless applications

STANDARD SPECIFICATIONS:

| Parameters | Minimum | Typical | Maximum | Units | Notes |
|---|---|---------|---------|------------|---|
| Frequency Range | 8.000 | | 54.000 | MHz | Fundamental |
| | 54.100 | | 80.000 | | 3 rd Overtone |
| Operation Mode | Fundamental or 3 rd Overtone | | | | |
| Operating Temperature | -10 | | +60 | °C | See options |
| Storage Temperature | -40 | | +90 | °C | |
| Frequency Tolerance @+25°C | -50 | | +50 | ppm | See options |
| Frequency Stability over the Operating Temperature (ref. to +25°C) | -50 | | +50 | ppm | See options |
| Equivalent series resistance (R1) | | | 140 | Ω | $8.000 \leq F < 9.000$ (Fund) |
| | | | 120 | | $9.000 \leq F < 10.000$ (Fund) |
| | | | 60 | | $10.000 \leq F < 16.000$ (Fund) |
| | | | 40 | | $16.000 \leq F < 20.000$ (Fund) |
| | | | 30 | | $20.000 \leq F < 30.000$ (Fund) |
| | | | 25 | | $30.000 \leq F \leq 54.000$ (Fund) |
| | | | 60 | | $54.000 < F \leq 80.000$ (3 rd OT) |
| Shunt capacitance (C0) | | | 7 | pF | |
| Load capacitance (CL) | | 18 | | pF | Standard (See options if other than STD) |
| Drive Level | | 10 | 100 | μ W | |
| Aging | -5 | | +5 | ppm | @25°C \pm 3°C First year |
| Insulation Resistance | 500 | | | M Ω | @ 100Vdc \pm 15V |

MINIATURE CERAMIC SMD CRYSTAL



ABM3

5.0 X 3.2 X 1.3mm

ABM3

Pb in Glass, exemption 7C-I per RoHS II Directive | **RoHS/RoHS II Compliant.**
2011/65/EU Annex

OPTIONS AND PART IDENTIFICATION: (Left blank if standard)

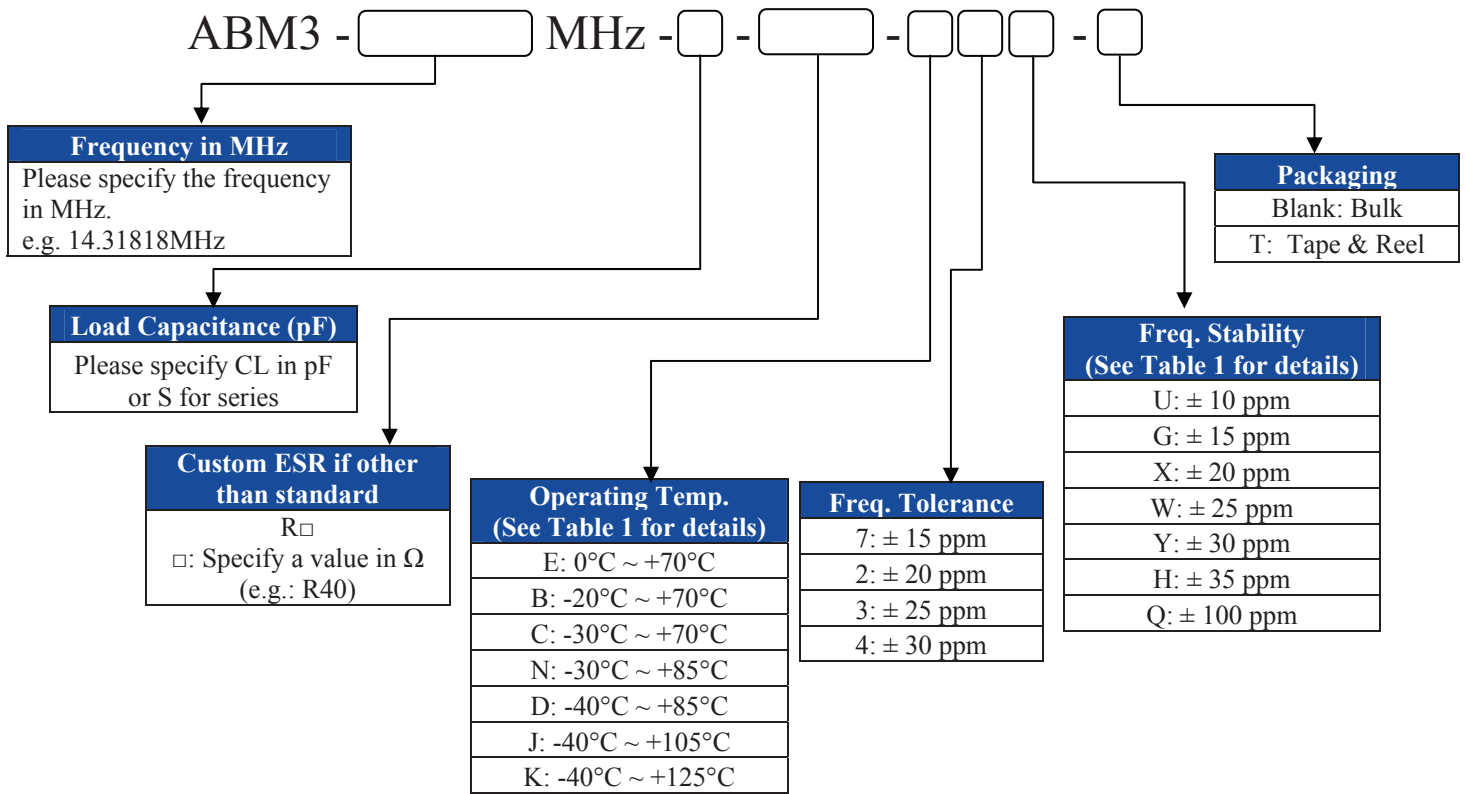


Table 1 Available Combinations of Operating Temp. and Freq. Stability

| Operating Temp. | Freq. Stability | | | | | | | |
|--------------------|-----------------|----------|----------|----------|----------|----------|------------|-----------|
| | U:±10ppm | G:±15ppm | X:±20ppm | W:±25ppm | Y:±30ppm | H:±35ppm | Std:±50ppm | Q:±100ppm |
| Std: -10°C ~ +60°C | √ | √ | √ | √ | √ | √ | √ | √ |
| E: 0°C ~ +70°C | √ | √ | √ | √ | √ | √ | √ | √ |
| B: -20°C ~ +70°C | √ | √ | √ | √ | √ | √ | √ | √ |
| C: -30°C ~ +70°C | | √ | √ | √ | √ | √ | √ | √ |
| N: -30°C ~ +85°C | | √ | √ | √ | √ | √ | √ | √ |
| D: -40°C ~ +85°C | | | √ | √ | √ | √ | √ | √ |
| J: -40°C ~ +105°C | | | | | | | √ | √ |
| K: -40°C ~ +125°C | | | | | | | √ | √ |

