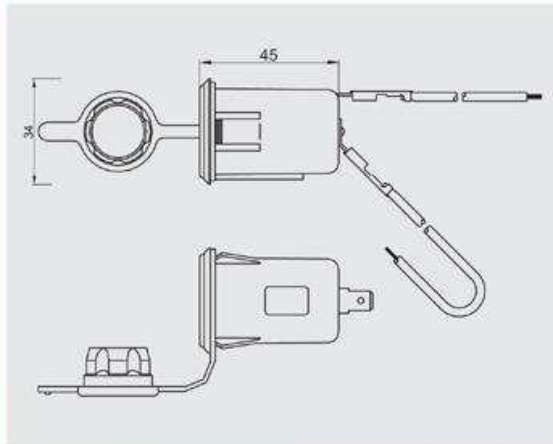


A13-65A LIGHTER SOCKET



FEATURES

RATING : 10A 12V DC

* MATERIAL OF SOCKET

Housing : nylon (UL flame: 94V-2).

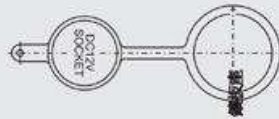
Inner contact : nickel plated brass.

Contact : nickel plated bars.

* Snap-in lighter socket with dust-proof cover.

* With 18 AWG wire.

* This socket fit with $\varnothing 21$ plugs.



Mounted hole

