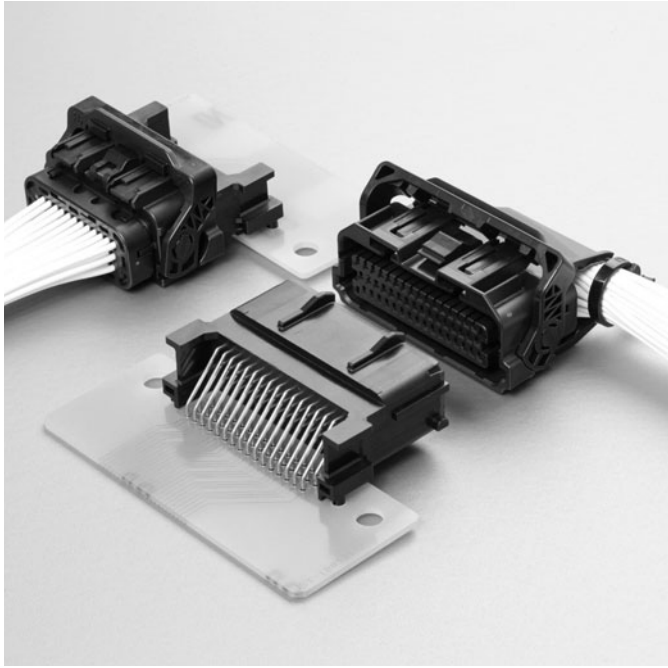


ZRO CONNECTOR

Board-to-wire



This connector is an interface connector, 48 and 36 circuits sealed and lever type.

Features

●Improvement of Operability

The lever is adopted to decrease the connector mating force. The fixing part to PC board is snap fit configuration in consideration of the workability when assembling.

●Sealed

Mat seal is adopted for improving the workability of wire seal part.

●Durability

Heat resistant specification corresponding to 120°C.

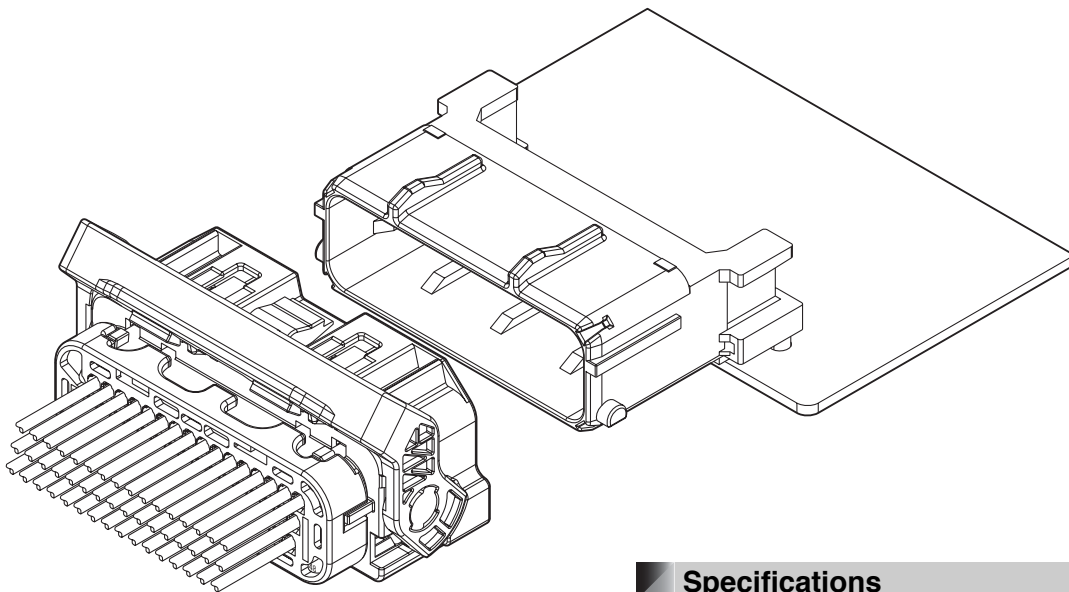
●Reduced waste structure

Low cost and low resources are realized by abolishing use of the wire rod pin and the alignment board.

●Variations

This connector is available in two kinds of keying codes. If the harness cover of an option is used, the harness can be taken out from the side.

Circuits: Lineup of 48 and 36 circuits.



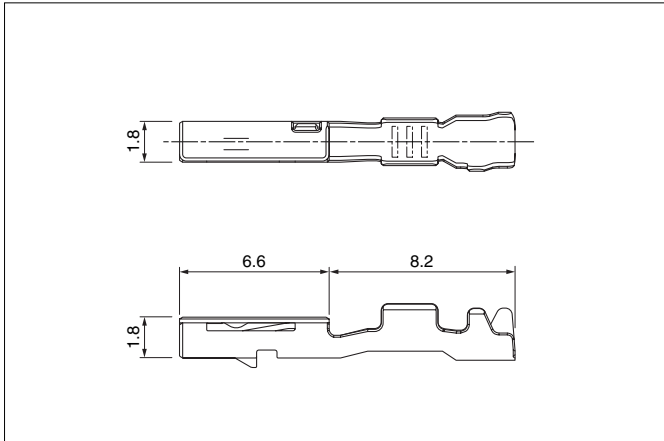
Specifications

- Current rating: Power/ 7A DC
Signal/ 5A DC
- Voltage rating: 50V DC
- Temperature range: -40°C to +120°C
(including temperature rise in applying electrical current)
- Contact resistance: Initial value/8mΩ max.
After environmental testing/16mΩ max.
- Insulation resistance: 100MΩ min.
- Withstanding voltage: 1,000V AC/minute
- Applicable wire: AVSS 0.5mm² to 0.85mm²
AESSX-f 0.5mm² to 0.75mm²

* Compliant with ELV/RoHS.

* Contact JST for details.

Female terminal



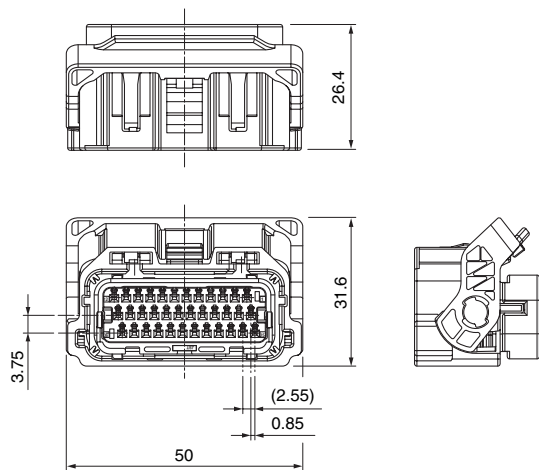
Model No.	Applicable wire range		Q'ty/reel
	Conductor (mm ²)	Insulation O.D. (mm)	
SZRO-A021T-M0.64	0.3 to 0.5	1.6 to 1.7	7,500
SZRO-A031T-M0.64	0.75 to 0.85	1.8 to 1.9	7,000

Material and Finish

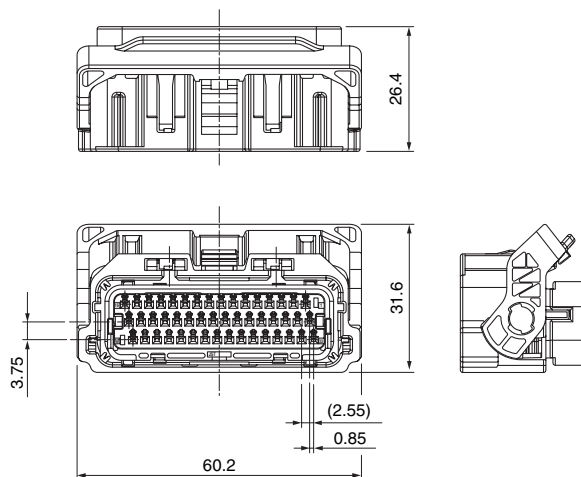
Copper alloy, tin-plated (reflow treatment)

Female connector

• 36 circuits



• 48 circuits



Circuits	Model No.	Key Code	Q'ty/box	Housing Color
36	36ZRO-B-1A	A	512	Black
	36ZRO-B-1B	B	512	Gray
48	48ZRO-B-1A	A	384	Black
	48ZRO-B-1B	B	384	Gray

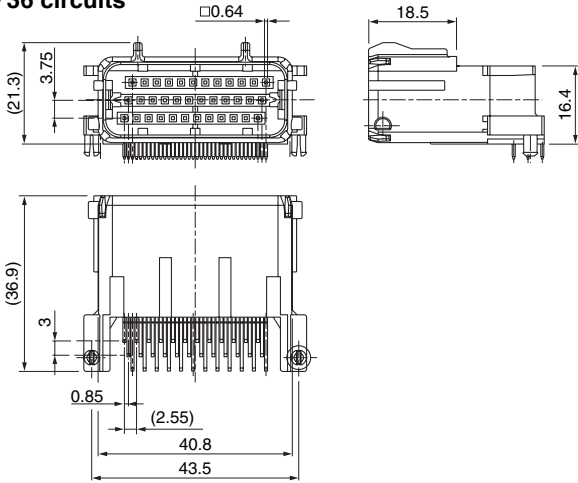
Material and Finish

Housing: Glass-filled PBT
Seal: Silicone
Lever: POM

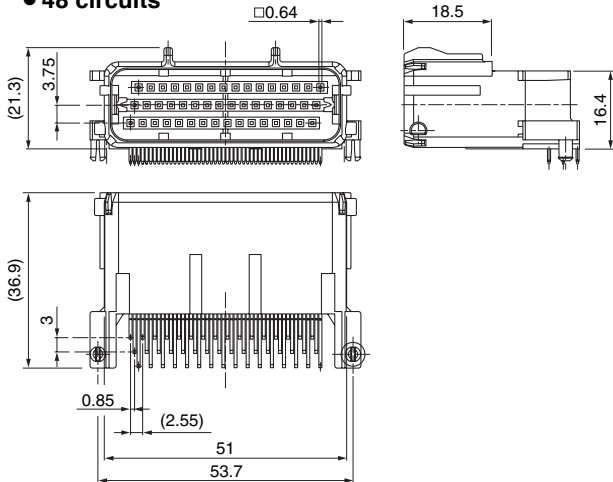
ZRO CONNECTOR

Male connector

● 36 circuits

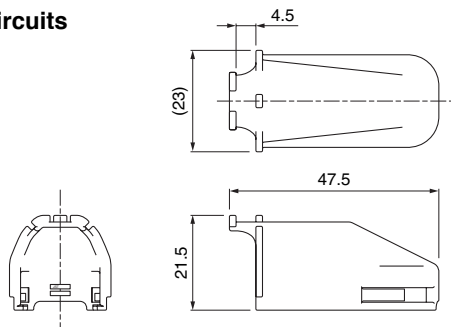


● 48 circuits

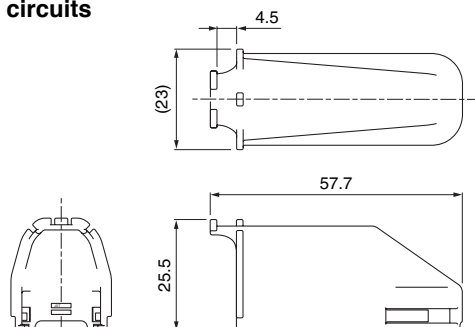


Harness cover

● 36 circuits



● 48 circuits



Type	Circuits	Model No.	Key Code	Q'ty/box	Housing Color
Normal	36	S36B-ZROK-2A-R	A	240	Black
		S36B-ZROH-2B-R	B		Gray
	48	S48B-ZROK-2A-R	A	192	Black
		S48B-ZROH-2B-R	B		Gray
Case lock	36	S36B-ZROK-3A-R	A	240	Black
		S36B-ZROH-3B-R	B		Gray
	48	S48B-ZROK-3A-R	A	192	Black
		S48B-ZROH-3B-R	B		Gray

Material and Finish

Housing: Glass-filled PBT

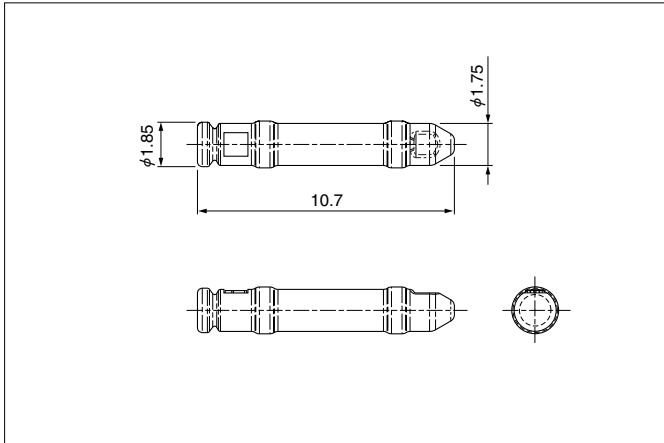
Pin: Brass, tin-plated (reflow treatment)

Circuits	Model No.	Q'ty/box	Housing Color
36	ZROHC-36H-K	900	Black
48	ZROHC-48H-K	600	Black

Material

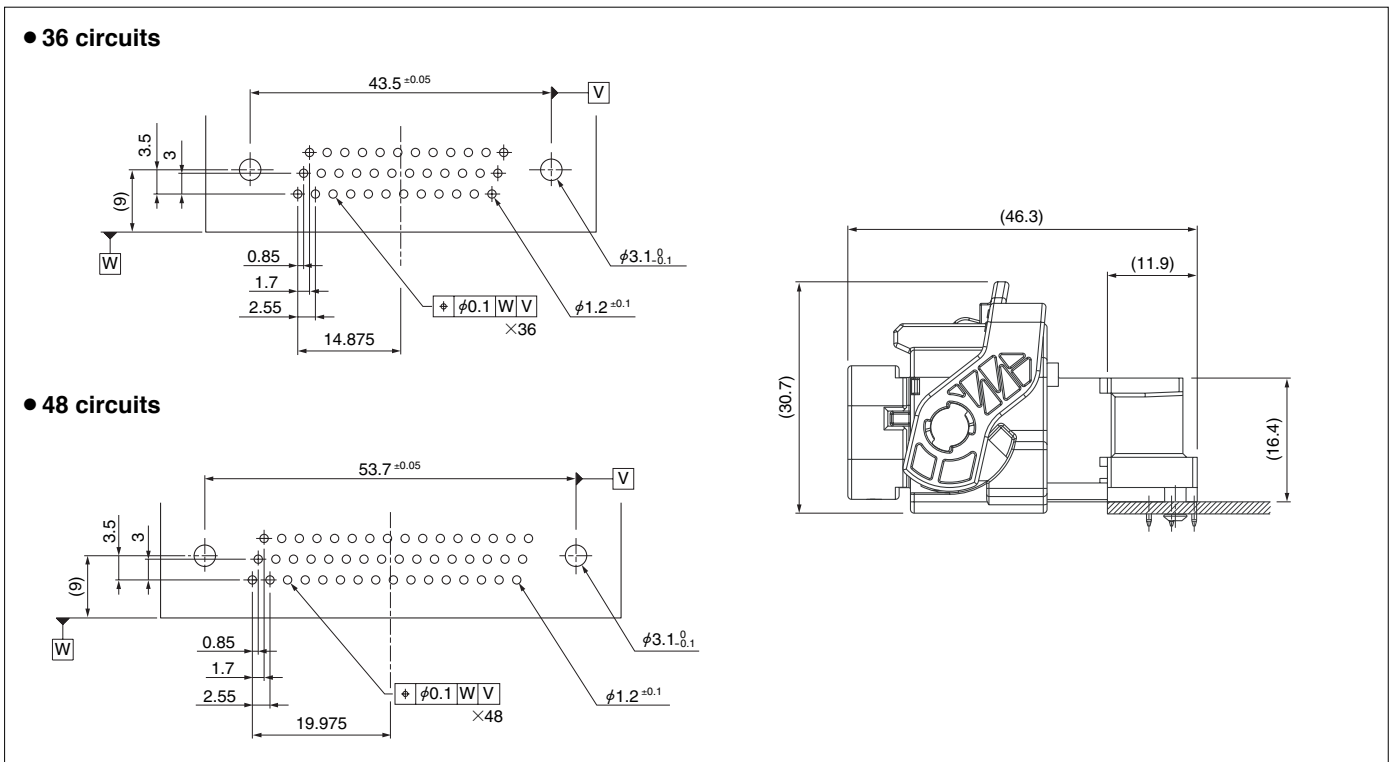
Glass-filled PBT

Dummy plug



Model No.	Q'ty/box
WPHDP-H-1A-H	7,000
Material	
PBT, gray	

PC board layout, Assembly layout



Crimping machine, Applicator

Strip terminal	Crimping machine	Crimp applicator MKS-L	
		Dies	Crimp applicator with dies
SZRO-A021T-M0.64	AP-K2N	MK/SWPH-A021-064	APLMK SWPH-A021-064
SZRO-A031T-M0.64		MK/SZRO-A031-064	APLMK SZRO-A031-064

Note: When crimping operation is conducted using an applicator and die set other than the above, JST cannot guarantee the performance of the terminal.