

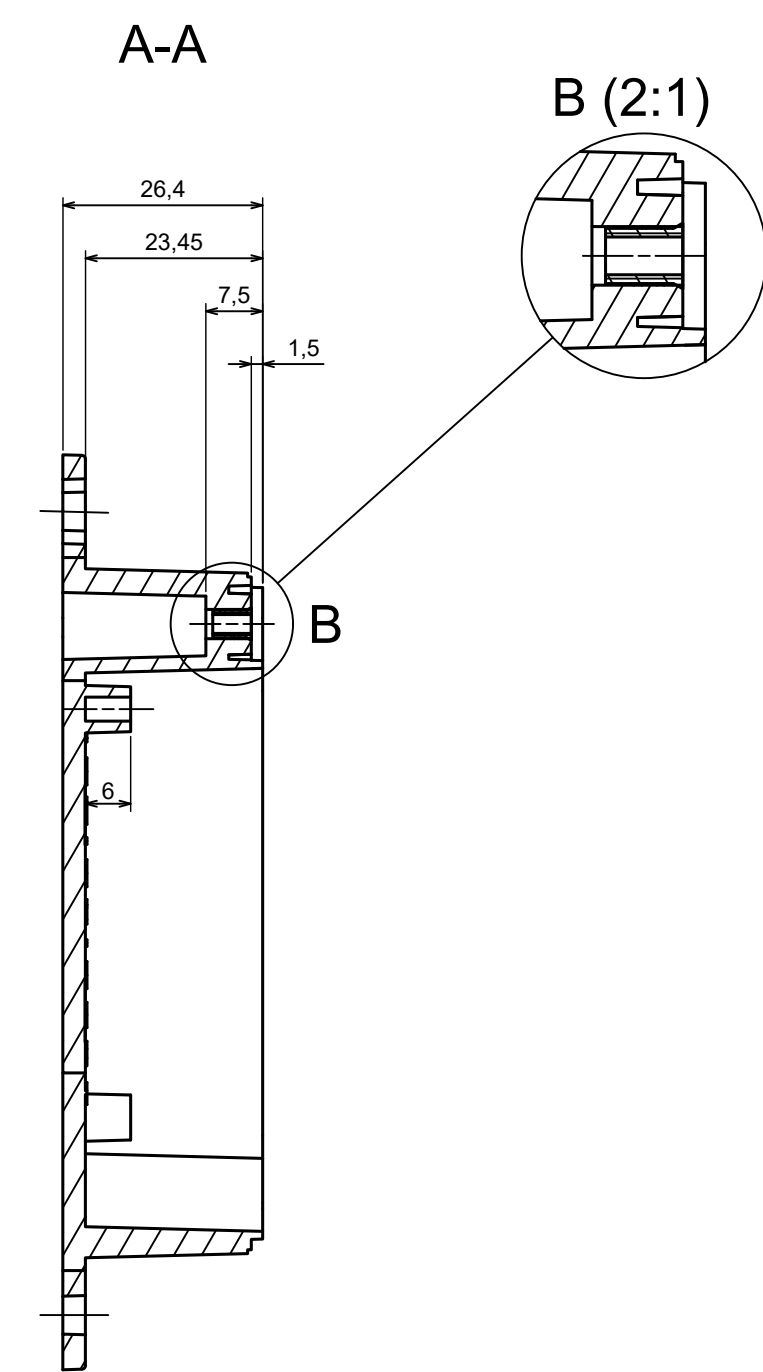
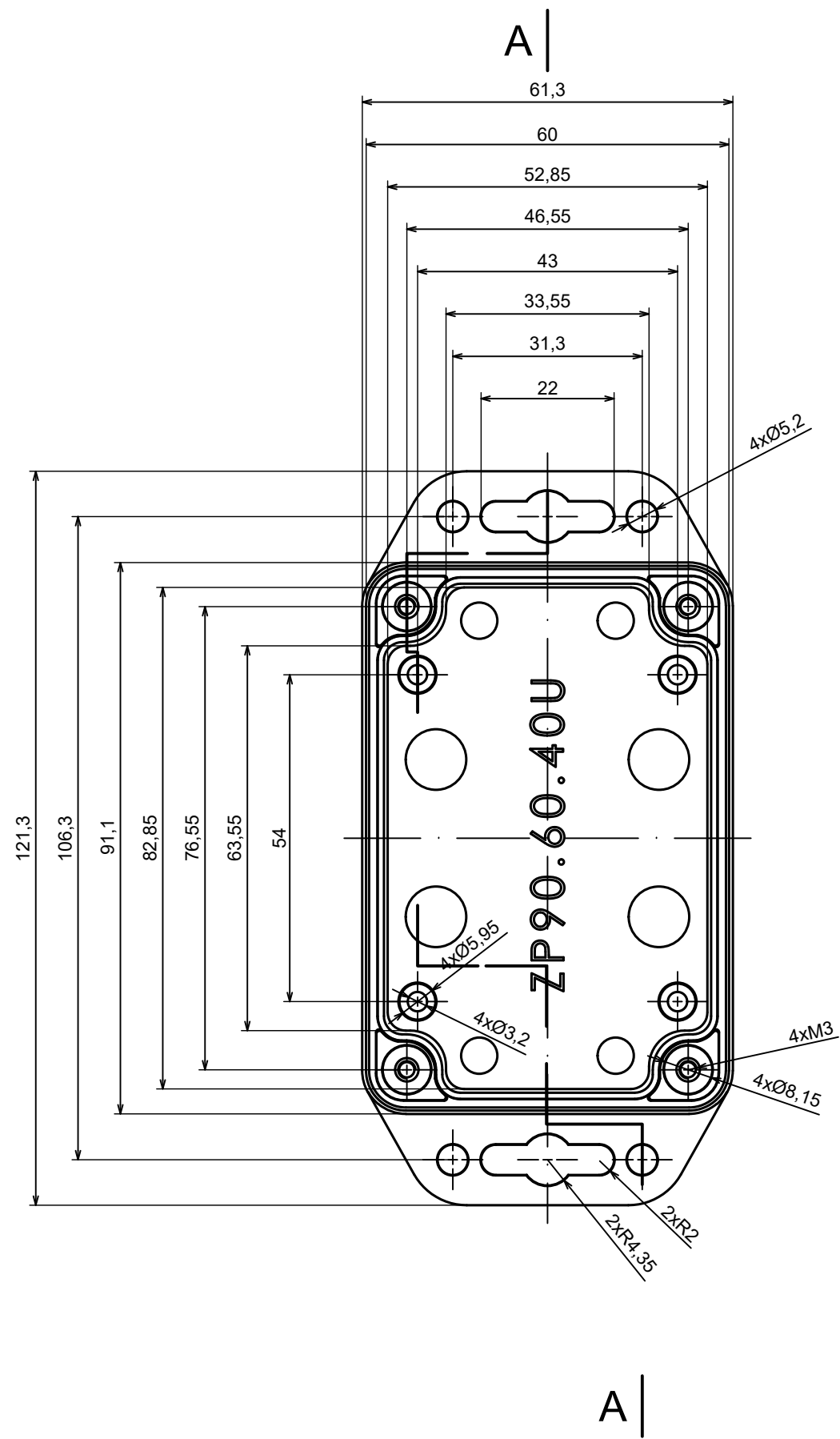
All rights reserved, Copyright Kradox 2023


Product model Enclosure ZP90.60.40Sub TM - Assembly

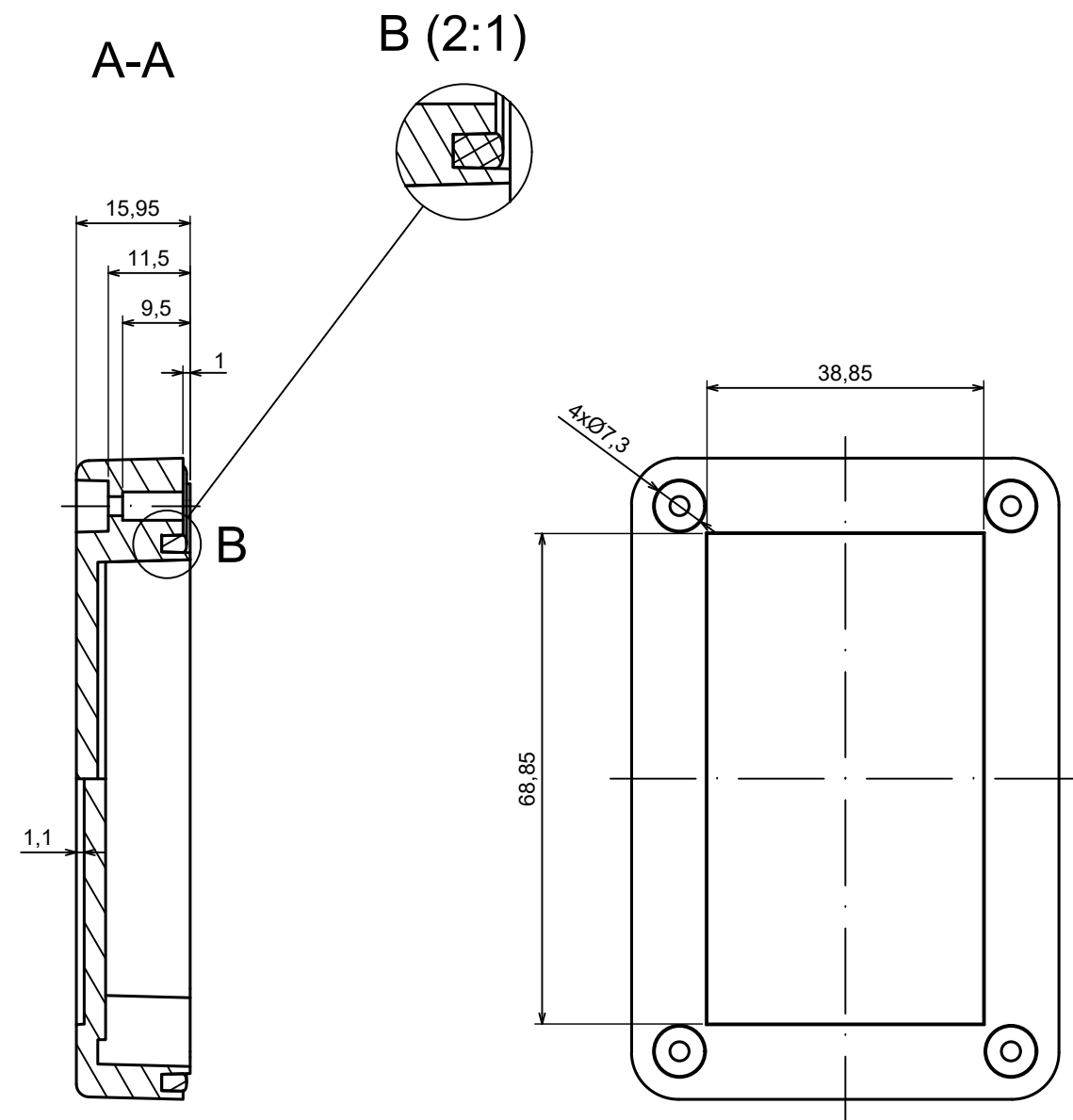
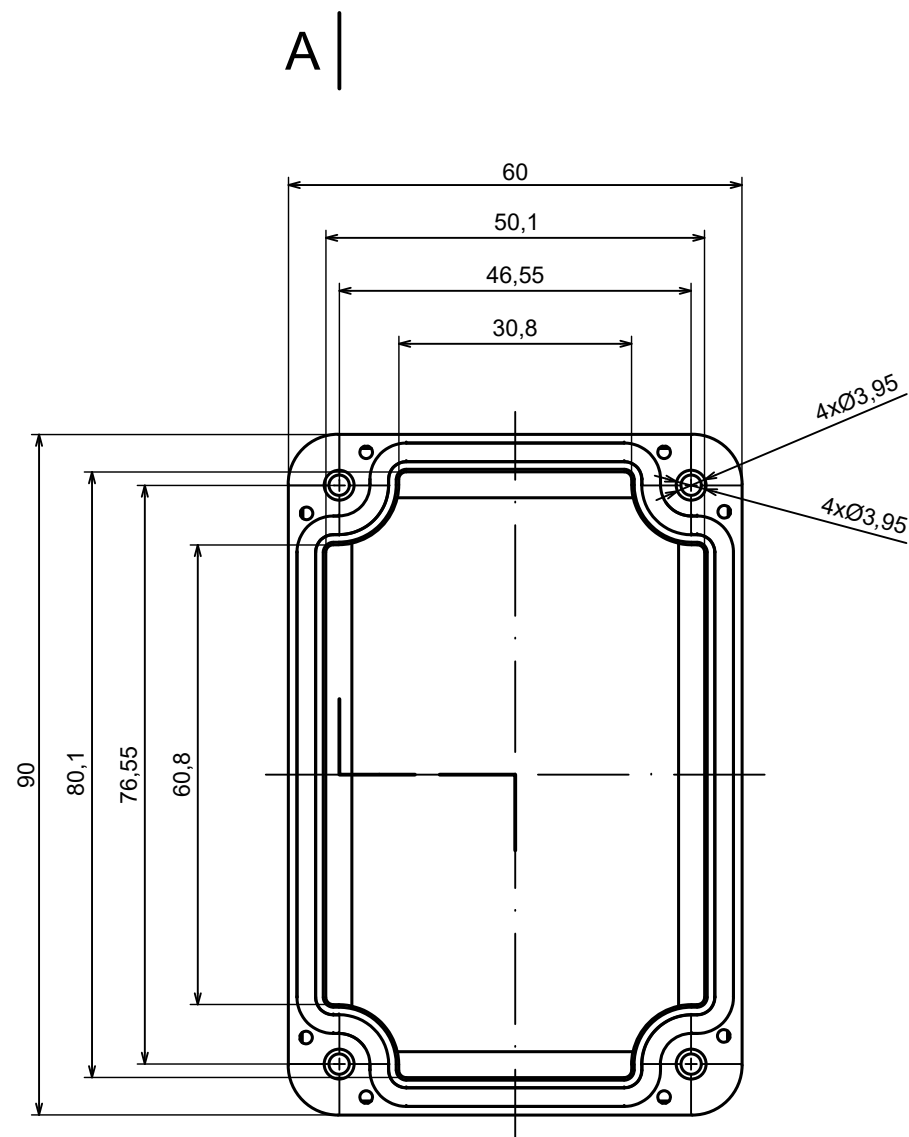
Format: A3 Material: ASA


Scale 1:1 Tolerance: +/- 0.5





| | | |
|--|--|---|
| All rights reserved, Copyright Kradex 2023 | | |
| Product model | Enclosure ZP90.60.40Sub TM - Base ZP90.60.25Sub TM | |
| Format: A3 | Material: ASA |  |
| Scale 1:1 | Tolerance: +/- 0.5 | |



| | | |
|--|---|---|
| All rights reserved, Copyright Kradox 2023 | | |
| Product model | Enclosure ZP90.60.40Sub TM - Cover ZP90.60.15Sb | |
| Format: A3 | Material: ASA |  |
| Scale 1:1 | Tolerance: +/- 0.5 | |