
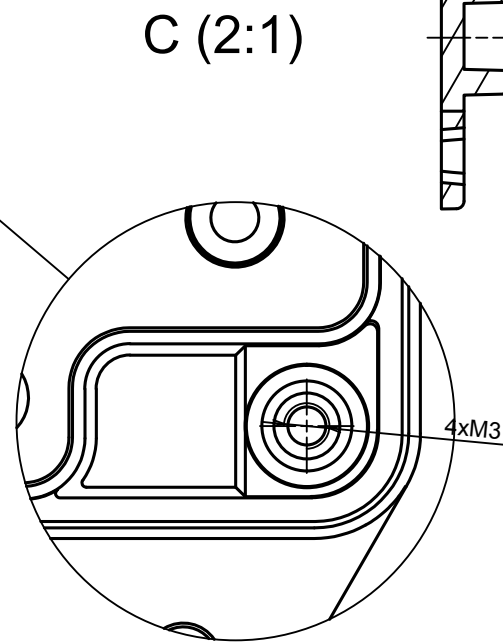
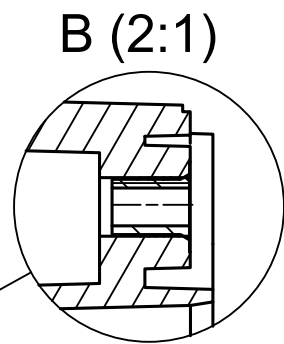
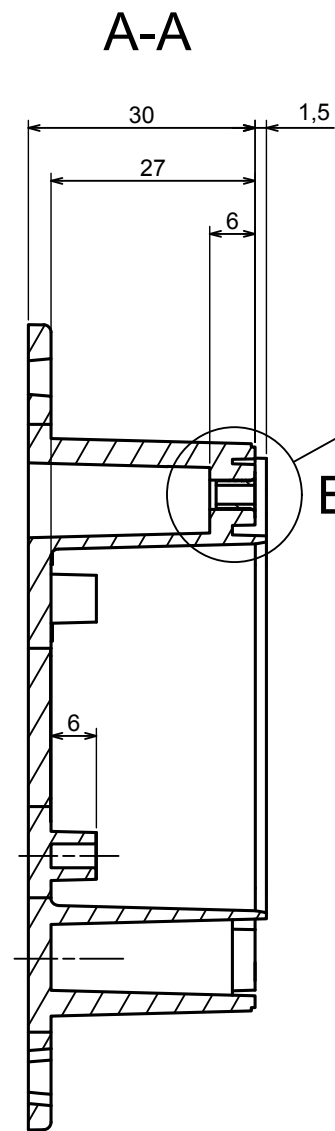
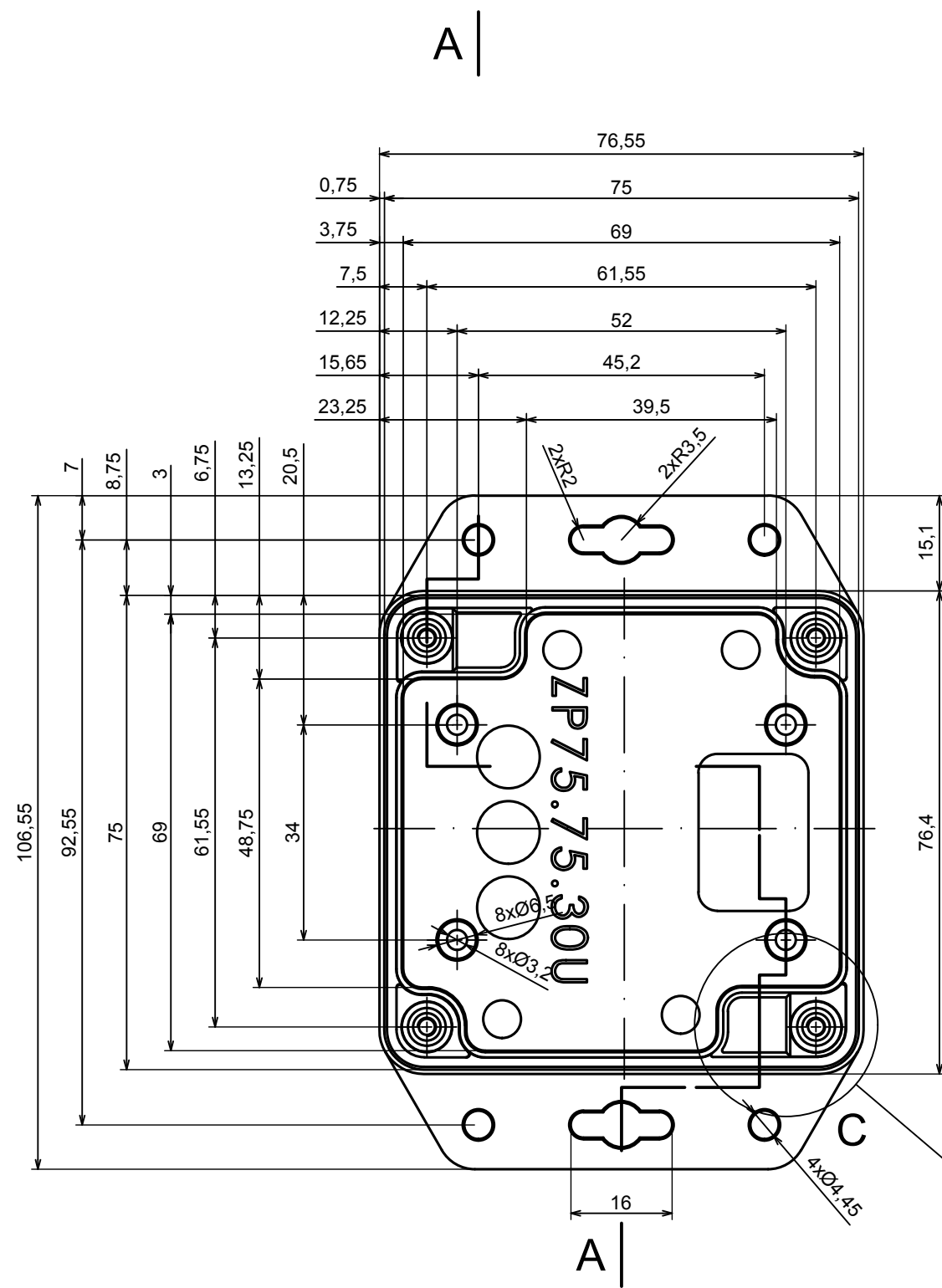
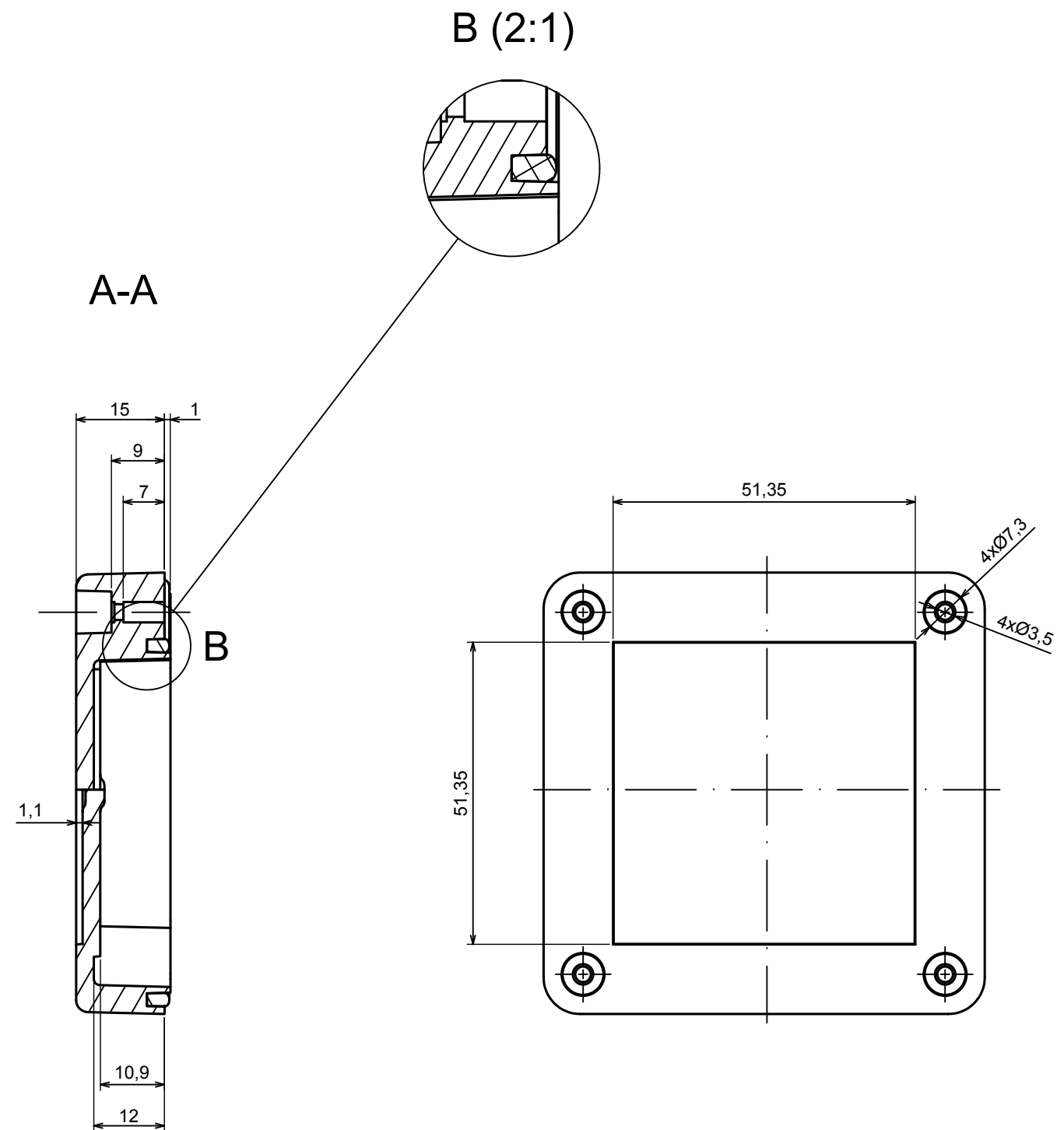
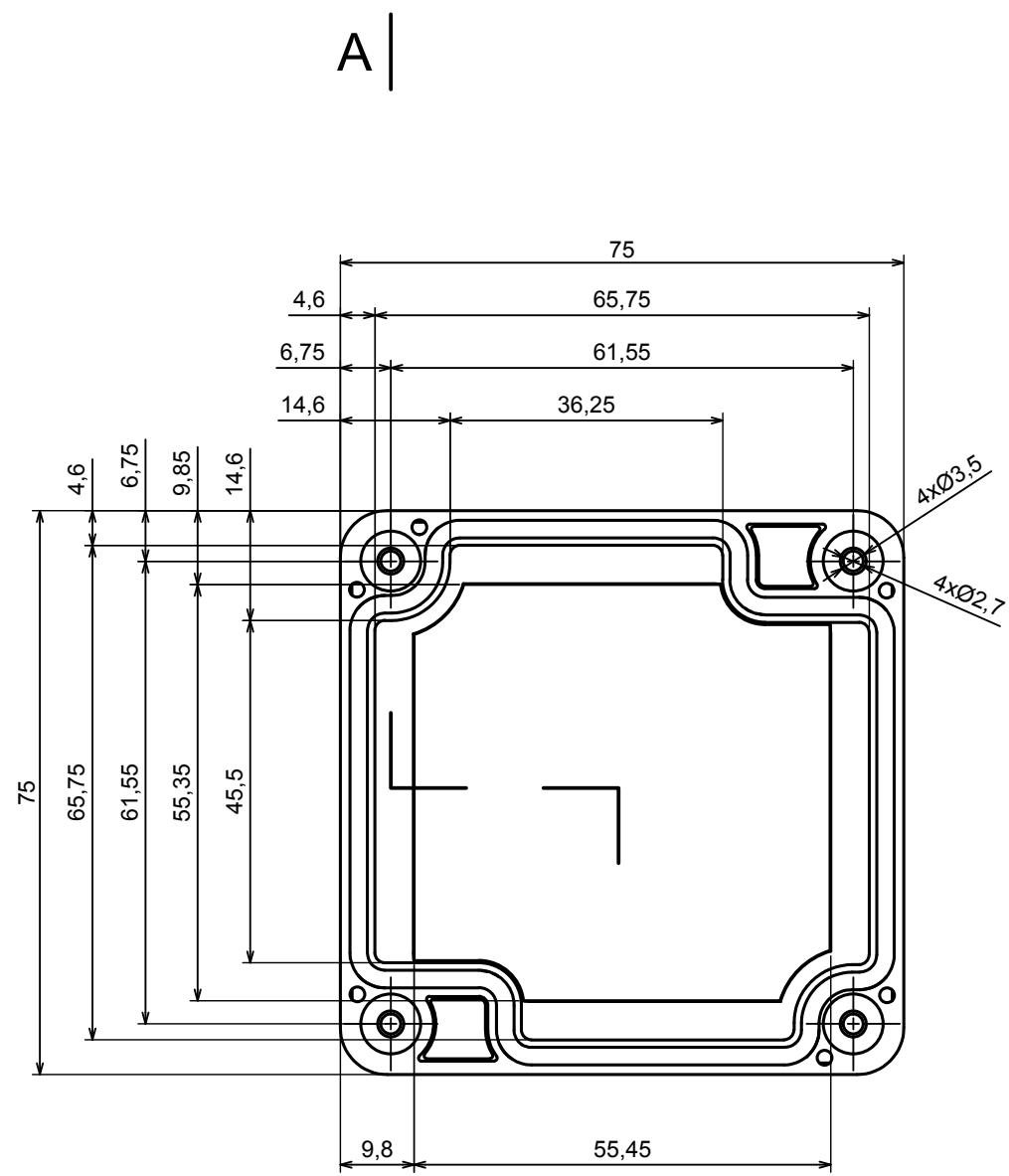


All rights reserved, Copyright Kradox 2022		
Product model	Enclosure ZP75.75.45SU TM - Assembly	
Format: A3	Material: PC, ABS	
Scale 1:1	Tolerance: +/- 0.5	



All rights reserved, Copyright Kradox 2022	
Product model	Enclosure ZP75.75.45SU TM - Base ZP75.75.30U TM
Format: A3	Material: PC, ABS
Scale 1:1	Tolerance: +/- 0.5





A

All rights reserved, Copyright Kradox 2022	
Product model	Enclosure ZP75.75.45SU TM - Cover PZ75.75.15S
Format: A3	Material: PC, ABS
Scale 1:1	Tolerance: +/- 0.5

