
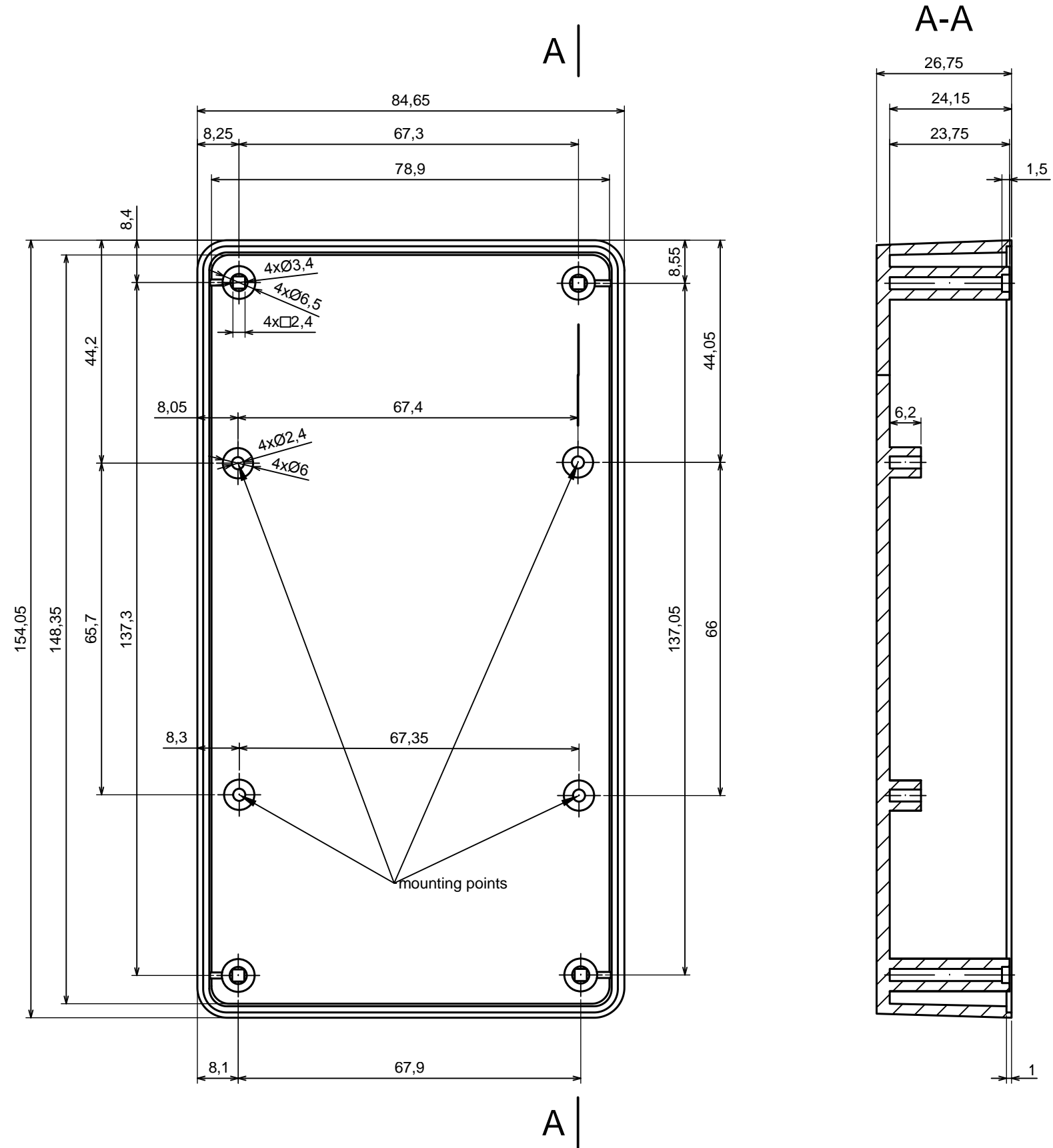


All rights reserved, Copyright Kradex 2016		
Product model	Enclosure Z78 - assembly	
Format: A3	Material: PS, ABS	
Scale 1:1	Tolerance: +/- 0.5	



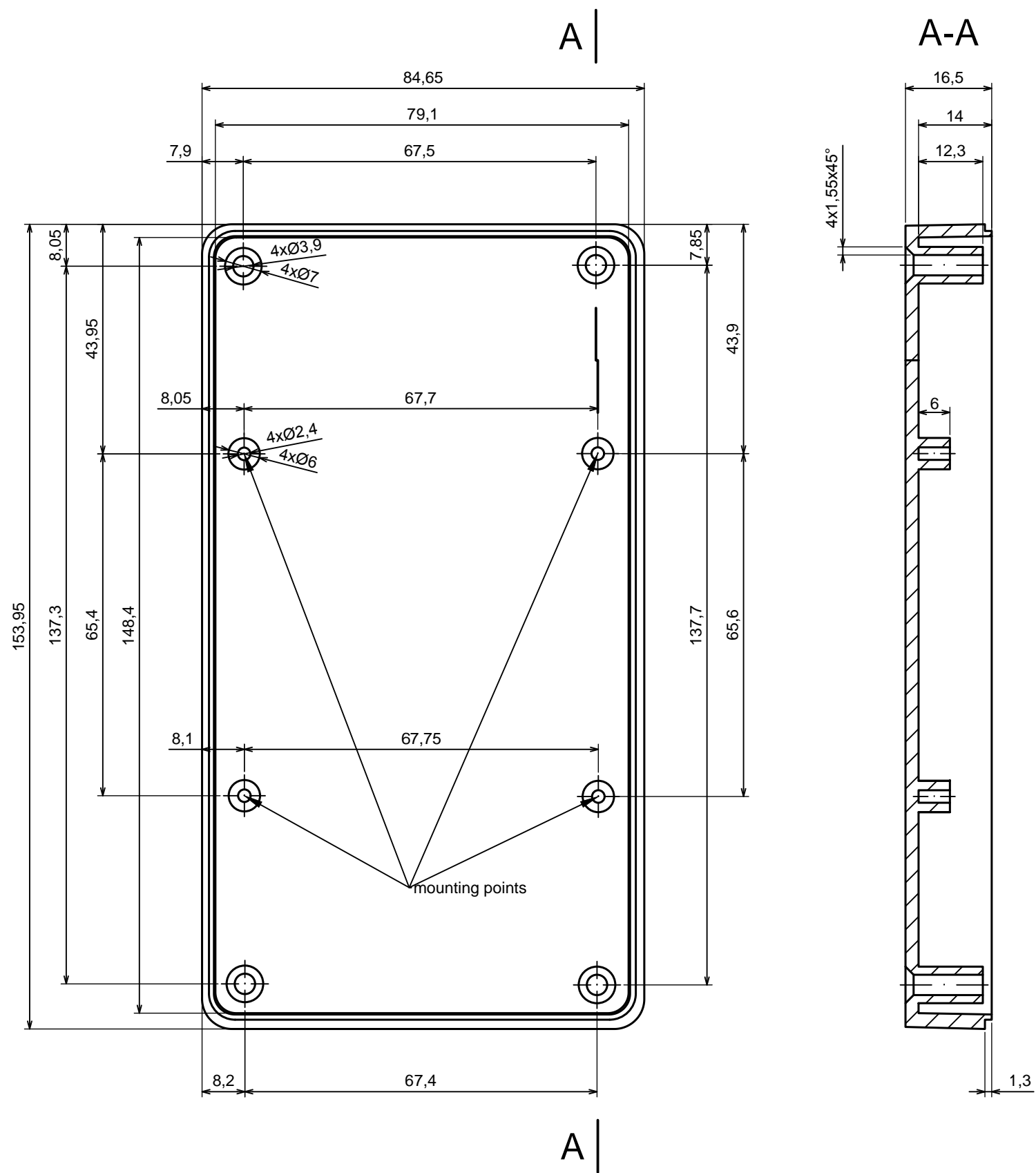
All rights reserved, Copyright Kradox 2016

Product model: Enclosure Z78 - base

Format: A3      Material: PS, ABS

Scale 1:1      Tolerance: +/- 0.5





All rights reserved, Copyright Kradox 2016	
Product model	Enclosure Z78- cover
Format: A3	Material: PS, ABS
Scale 1:1	Tolerance: +/- 0.5

