

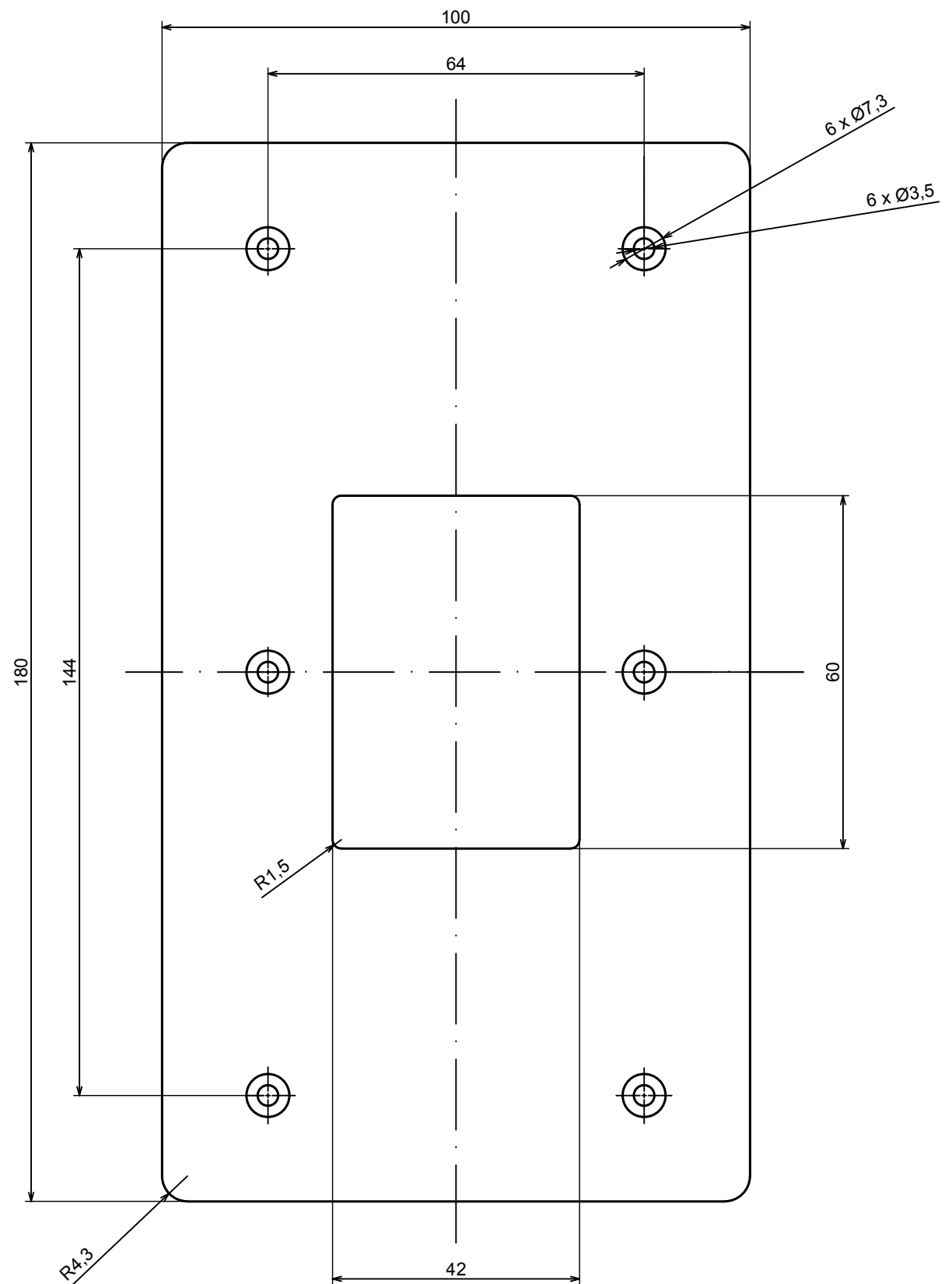
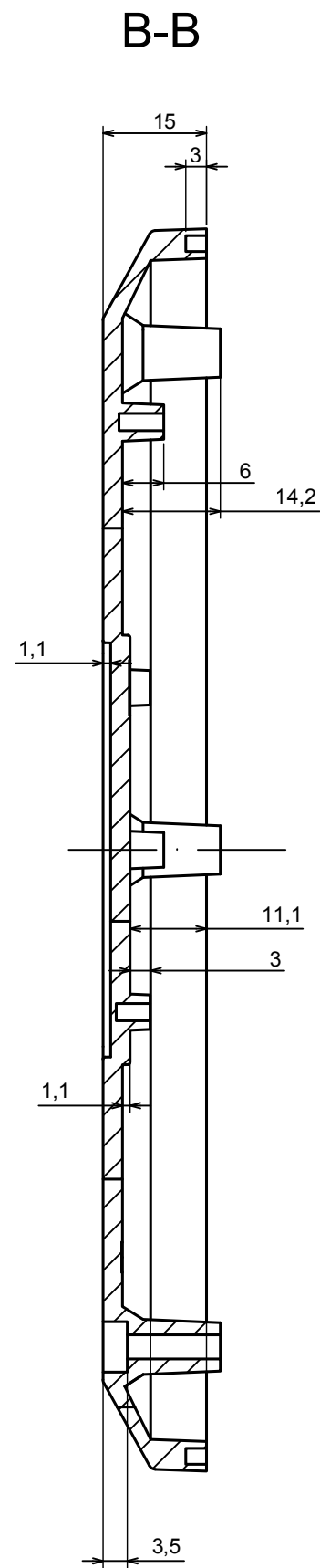
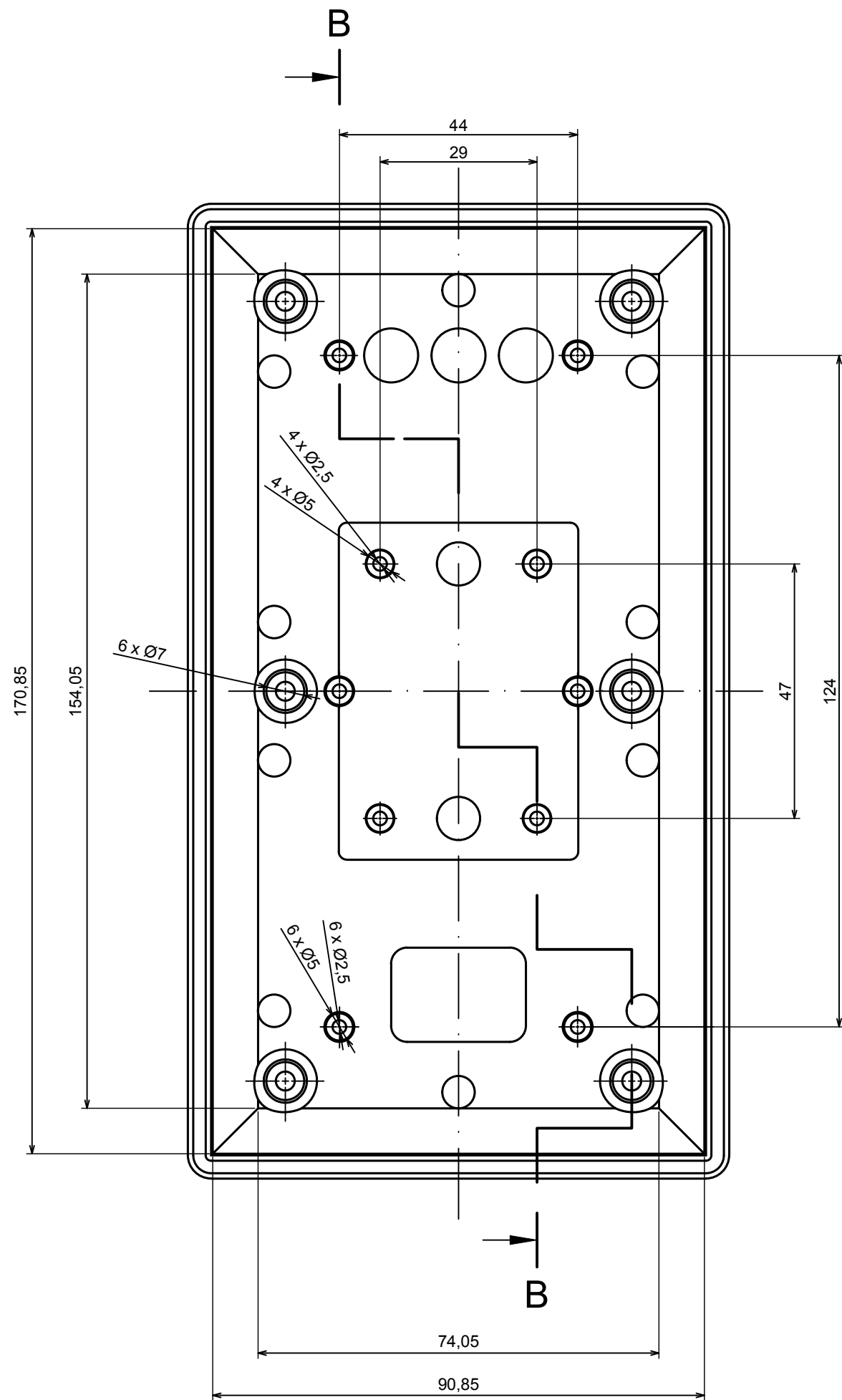
All rights reserved. Copyright Kradox 2022


Product model Z133 - Assembly

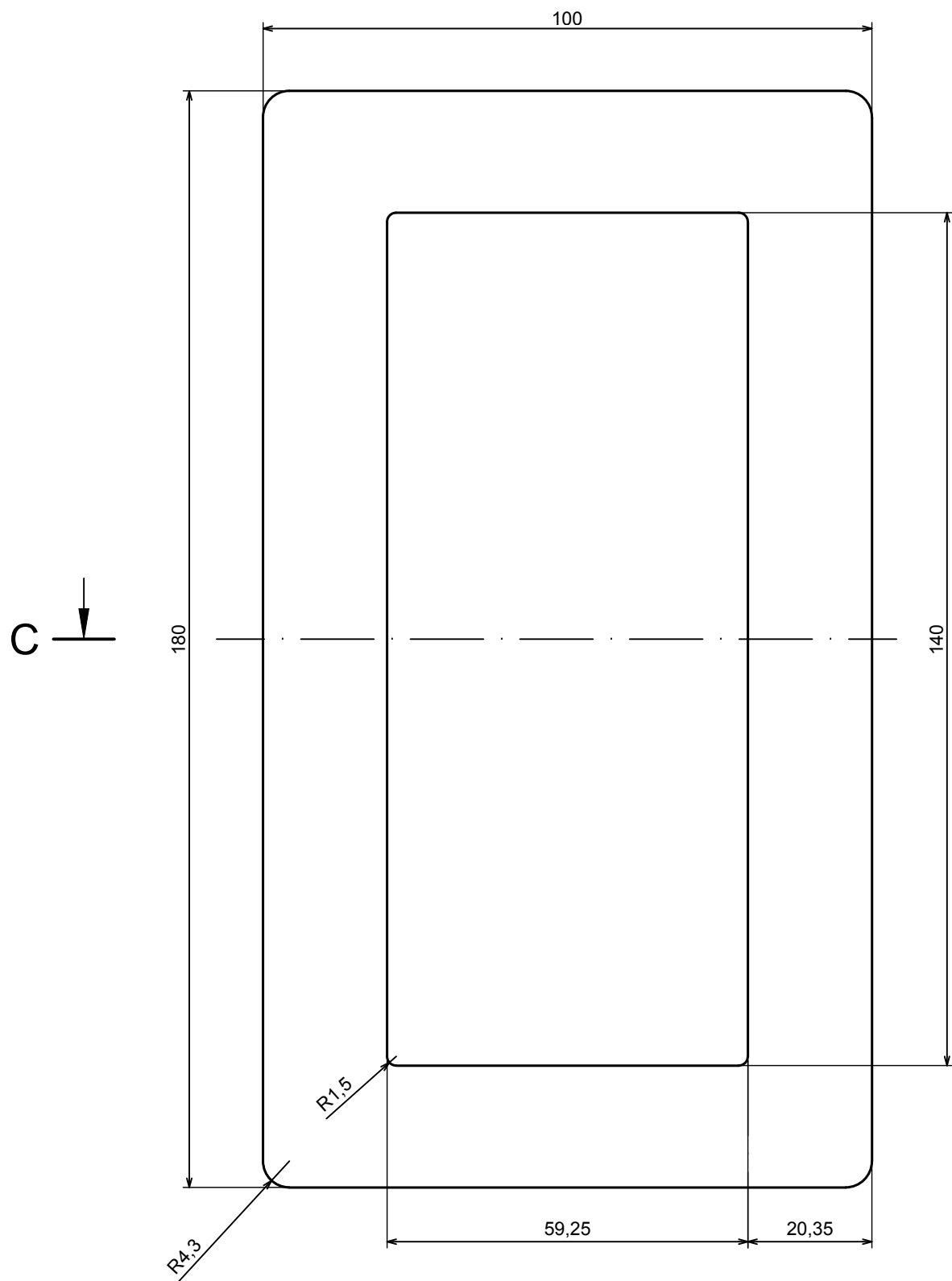
Format: A3 Material: ABS

Scale 1:1 Tolerance: +/- 0,3

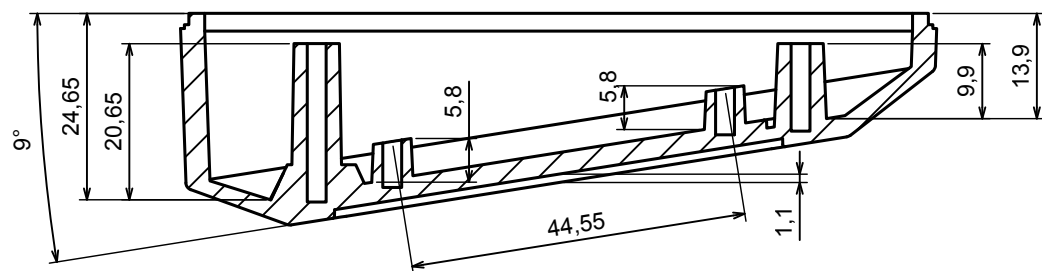
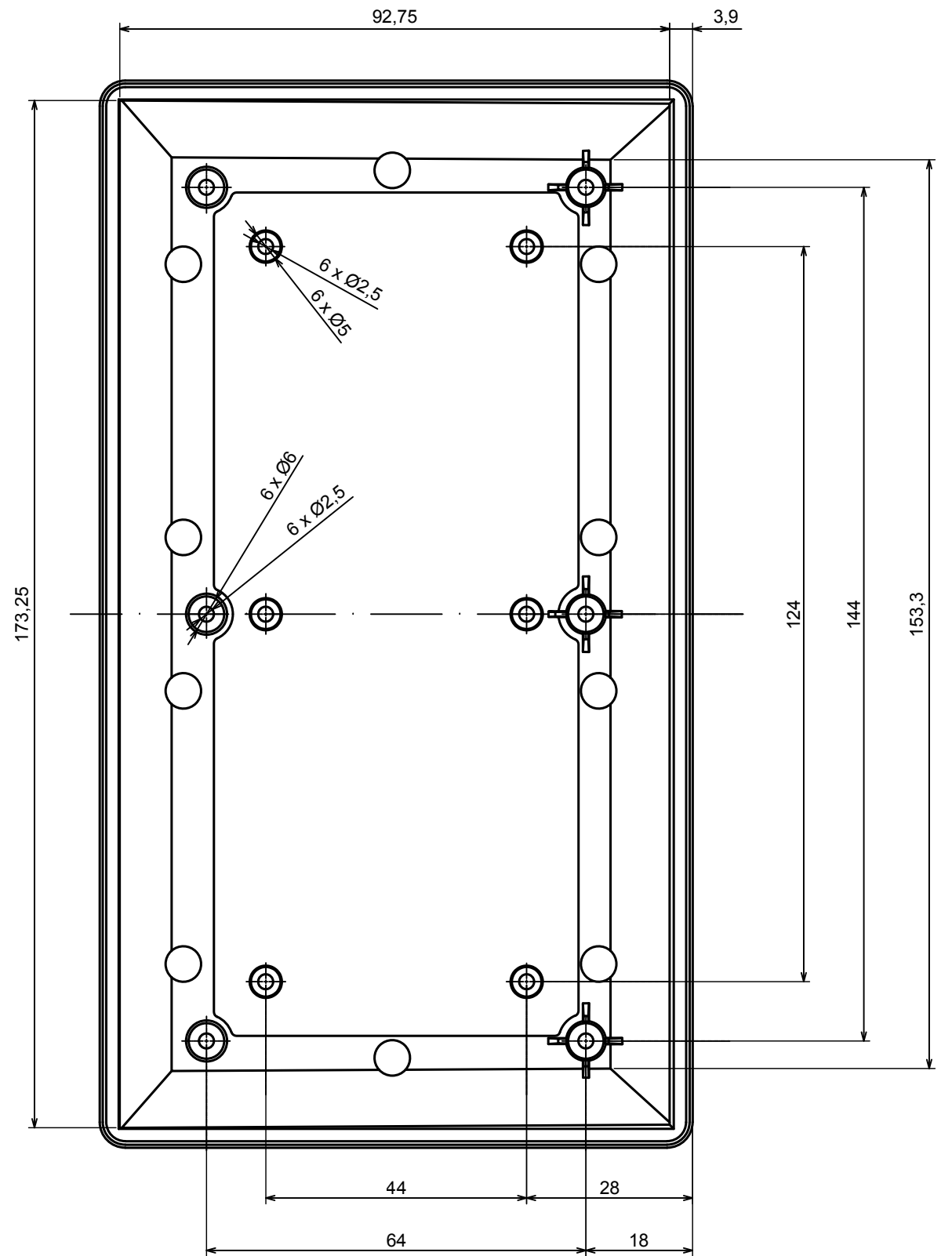
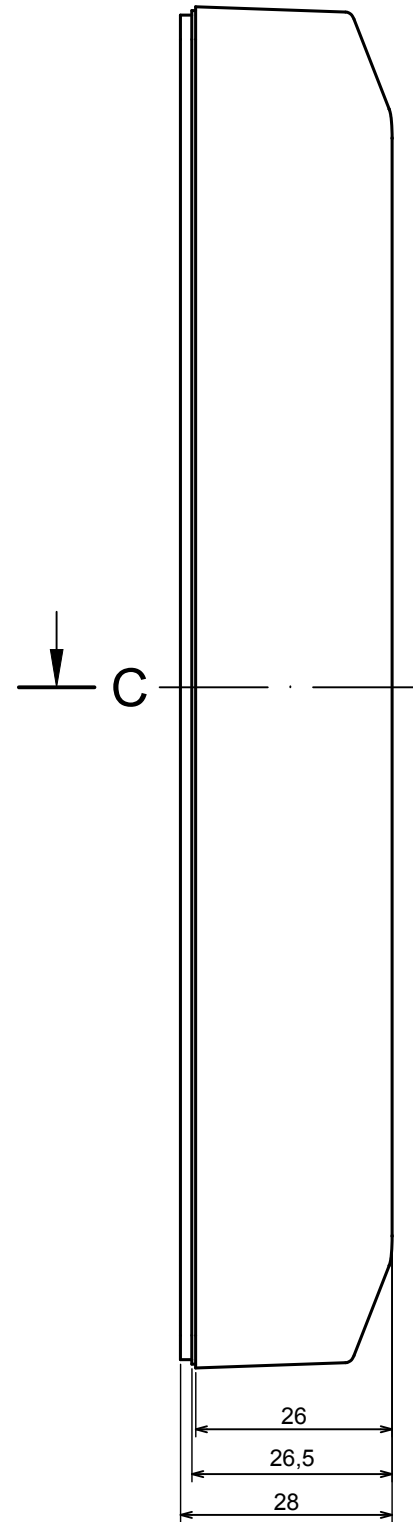





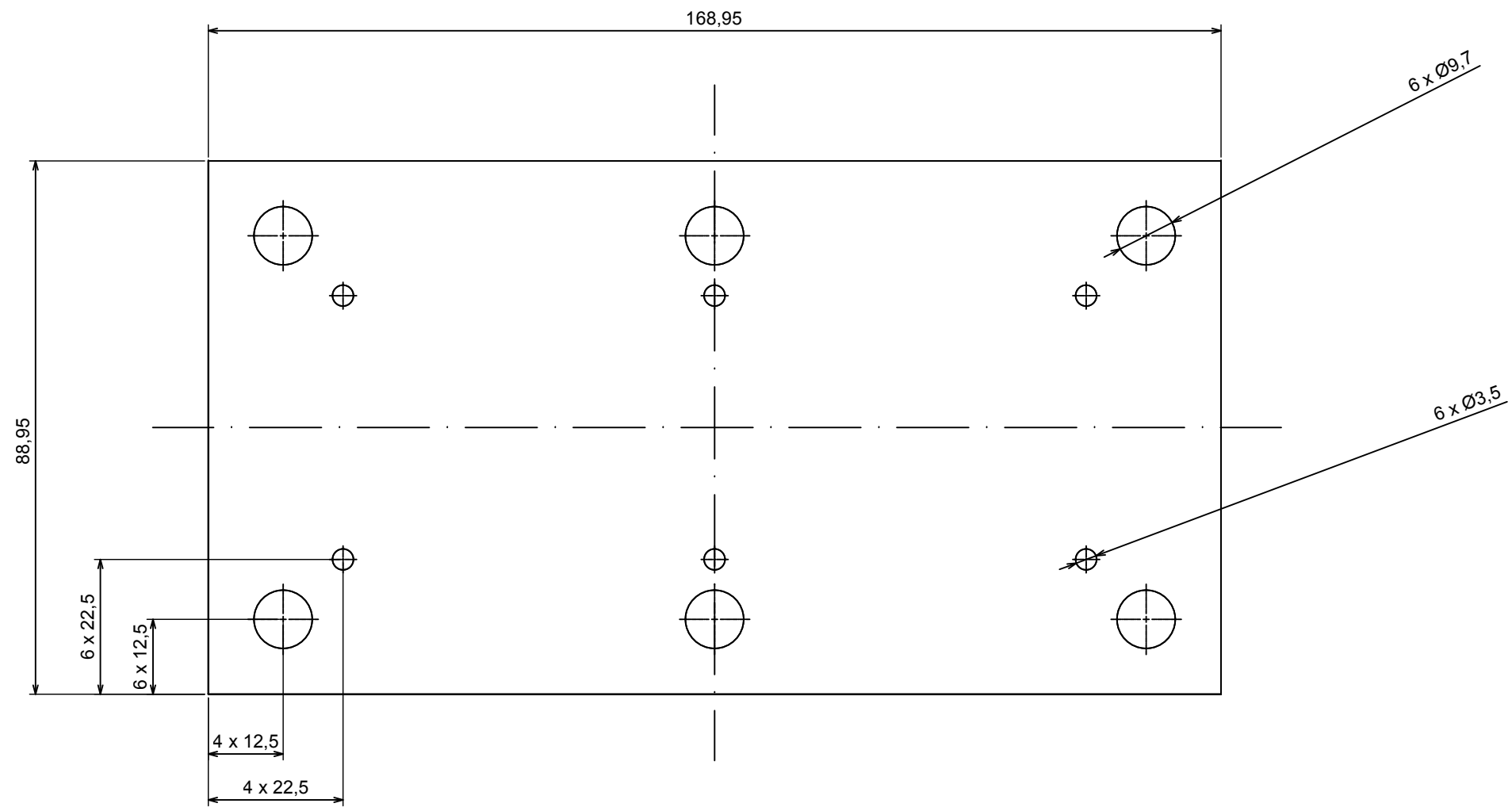
All rights reserved. Copyright Kradox 2022		
Product model	Z133 - Base	
Format: A3	Material: ABS	
Scale 1:1	Tolerance: +/- 0,3	




C-C

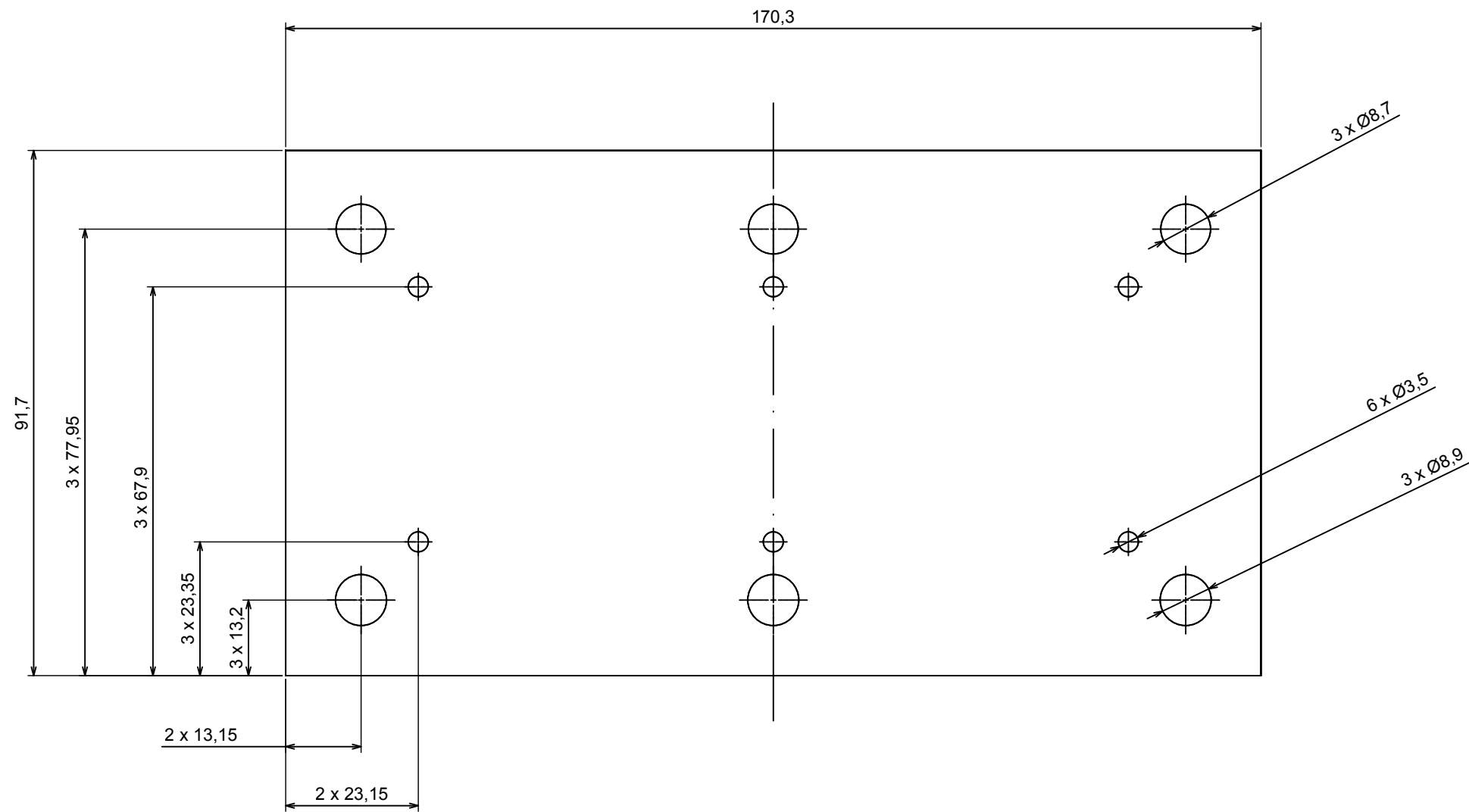


All rights reserved. Copyright Kradex 2022		
Product model	Z133 - Cover	
Format: A3	Material: ABS	
Scale 1:1	Tolerance: +/- 0,3	




Sample PCB maximum dimensions (not included)

All rights reserved. Copyright Kradox 2022		
Product model	Z133 - Base PCB	
Format: A3	Material: laminate	
Scale 1:1	Tolerance: +/- 1	



Sample PCB maximum dimensions (not included)

All rights reserved. Copyright Kradox 2022		
Product model	Z133 - Cover PCB	
Format: A3	Material: laminate	
Scale 1:1	Tolerance: +/- 1	