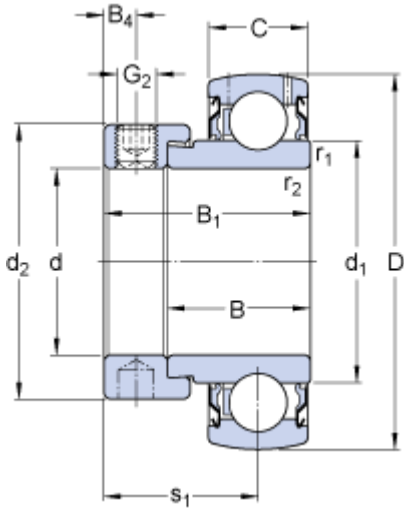


YET 207

Dimensions



d	35	mm
D	72	mm
B_1	38.9	mm
B	25.4	mm
C	19	mm
d_1	≈ 46.1	mm
d_2	51.1	mm
B_4	6.75	mm
$r_{1,2}$	min. 1	mm
s_1	29.4	mm

Calculation data

Basic dynamic load rating	C	25.5	kN
Basic static load rating	C_0	15.3	kN
Fatigue load limit	P_u	0.655	kN
Limiting speed ¹⁾		5300	r/min
Calculation factor	f_0	14	

Mass

Mass complete bearing		0.46	kg
-----------------------	--	-------------	----

Mounting information

Thread grub screw	G_2	M 10 x 1	
Hexagonal key size for grub screw	N	5	mm
Recommended tightening torque for grub screw		16.5	N·m

Associated products

Rubber seating ring

RIS 207 A
