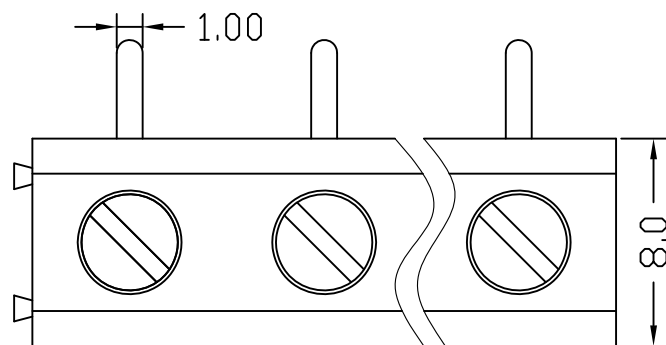
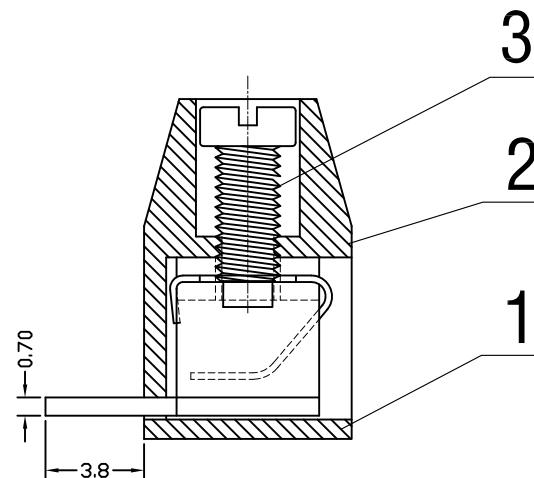
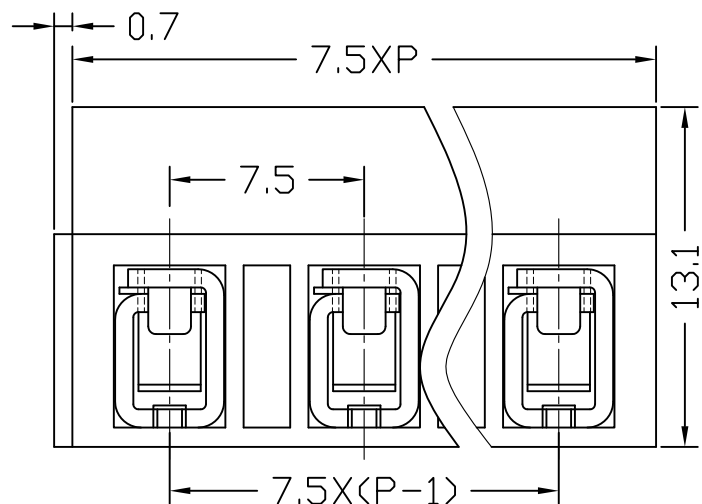


序号/RevNo.	名称/Title	文件编号/File No.
1	XY705R 塑件	QJ/XYT-2131201
2	XY705R 端子	QJ/XYT-2131202
3	XY705 螺丝 (与XY305螺丝共用)	QJ/XYT-2126103



300V 15A 22-14AWG 2.5mm²
Poles: 2P&3P-24P
Pitch: 7.5mm(.295")

Materials
Housing: PBT(UL 94V-0)
Wire Protector: Stainless steel
Solder Pin: Brass, Tin Plated
Screw: M2.5, Steel(A3), Zinc Plated
Torque: 0.4N.m

设计/Designed by	绘图/Drawing by	审核/Checked by	批准/Approved by	未注公差 General Tolerance	
		图名/Title	文件编号/File No.	x. ±0.2	x." ±2°
		XY705R 产品图	QJ/XYT-2231200	.x ±0.1	.x" ±1°
		页序/Sheet		.xx ±0.05	.xx" ±0.5°
备注/Remark				.xxx ±0.01	
				单位/Units: mm	