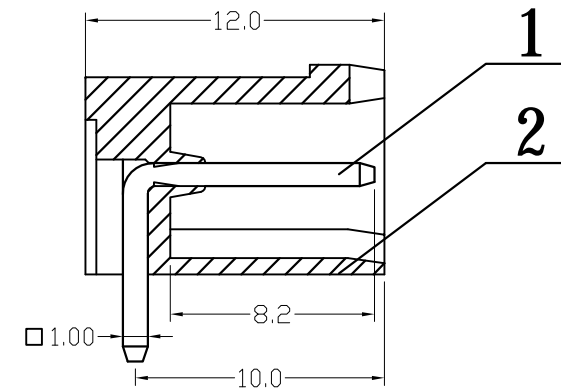
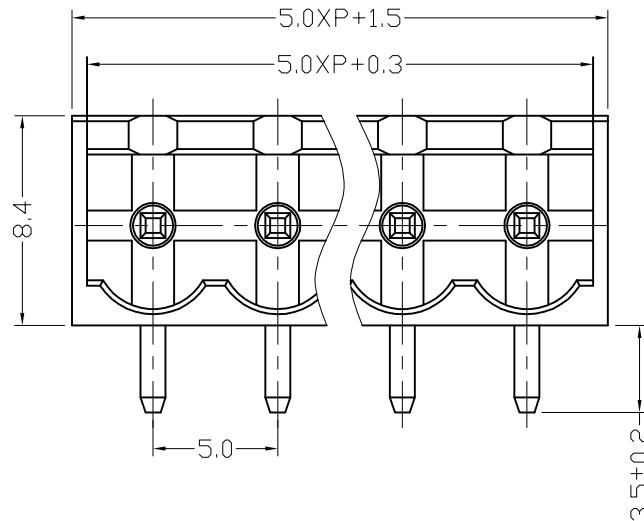


序号/RevNo.	名称/Title	文件编号/File No.
1	XY2500R 端子	QJ/XYT-2180301
2	XY2500 B塑件	QJ/XYT-2181101



300V 15A

Poles: 2P-22P

Pitch: 5.0 mm

Pin Dimension: 1.0X1.0mm

Materials

Housing: PA66(UL 94V-0)

Solder Pin: Brass, Tin Plated.

设计/Designed by	绘图/Drawng by	审核/Checked by	批准/Approved by	未注公差 General Tolerance	
		图名/Title	文件编号/File No.	x. ±0.2	x.' ±2'
		XY2500R-B	QJ/XYT-2281300	.x ±0.1	.x' ±1'
备注/Remark		页序/Sheet		.xx ±0.05	.xx' ±0.5'
				.xxx ±0.01	
				单位/Units: mm	

序号/RevNo.	更改记录/Revision note	签名/Signature	日期/Date
-----------	--------------------	--------------	---------