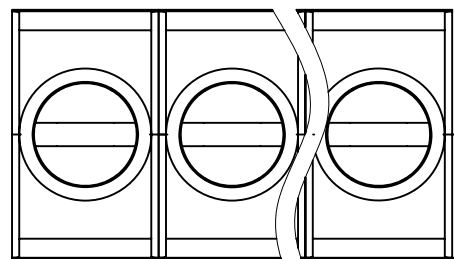
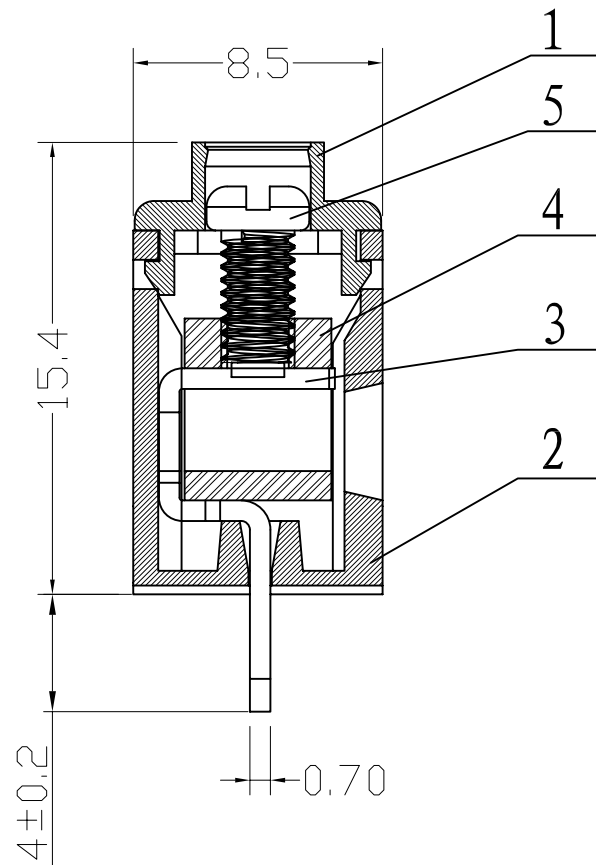
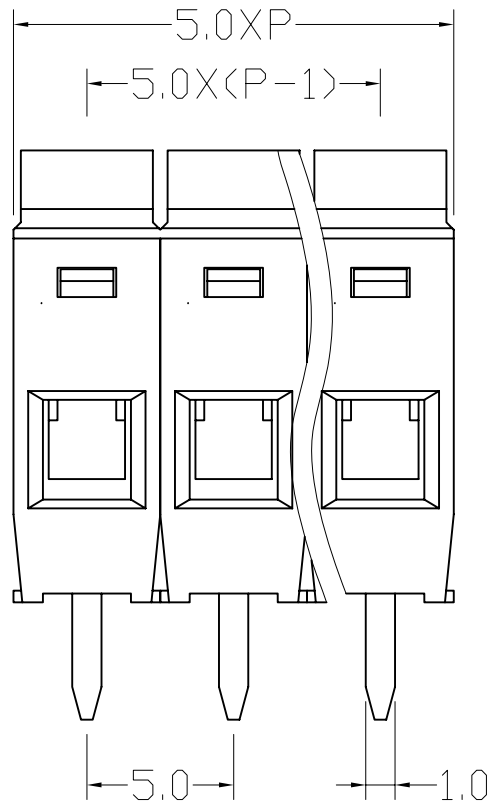


序号/RevNo.	名称/Title	文件编号/File No.
1	XY169 上盖	QJ/XYT-2195101
2	XY169 塑壳	QJ/XYT-2195102
3	XY169 铜方块	QJ/XYT-2140102
4	XY169 端子	QJ/XYT-2195103
5	XY169 螺丝	QJ/XYT-2195104



Electrical

UL 300V 15A 22-14AWG 2.5mm²

Materials

Poles: (1P-24P)

Pitch: 5.0mm(.300")

Housing: PA66(UL 94V-0)

Wire Cage: Brass, Nickel Plated

Solder Pin: Brass, Tin Plated

Screw: M2.5, Steel(A3), Zinc Plated

Torque: 0.4N.m

Undimensioned tolerances:

Pitch range in mm		Nominal dimension range in mm							-	∩	∇
0	Over 6	Over 10	Over 24	Over 30	Over 60	Over 100	Over 150	0.1/10			
TO	TO	TO	TO	TO	TO	TO	TO	∠			
6	10	24	30	60	100	150					
±0.10	±0.15	±0.20	±0.25	±0.40	±0.50	±0.70	±1.0	±2°			

设计/Designed by	绘图/Drawing by	审核/Checked by	批准/Approved by
		图名/Title	文件编号/File No.
		XY169	QJ/XYT-2195100
		版本/Version	A0
		备注/Remark	单位/Units: mm

序号/RevNo.	更改记录/Revision note	签名/Signature	日期/Date