

Product data sheet

Specifications



Inductive proximity sensors XS, Rotation monitoring, M30, Sn10mm, 120...3000c/mn, 12...48 VDC, cable 2 m

XSAV12373

Main

| | |
|------------------------------------|--|
| Range of product | Telemecanique Inductive proximity sensors XS |
| Series name | Application |
| Product or component type | Sensor |
| Sensor type | Inductive proximity sensor |
| Device application | Rotation monitoring |
| Sensor name | XSA |
| Sensor design | Cylindrical M30 |
| Size | 81 mm |
| Body type | Fixed |
| Detector flush mounting acceptance | Flush mountable |
| Material | Metal |
| Enclosure material | Nickel plated brass |
| Type of output signal | Discrete |
| Wiring technique | 3-wire |
| [Sn] nominal sensing distance | 10 mm |
| Discrete output function | 1 NC |
| Output circuit type | DC |
| Discrete output type | PNP |
| Electrical connection | Cable |
| Cable length | 2 m |
| [Us] rated supply voltage | 12...48 V DC with reverse polarity protection |
| Switching capacity in mA | <= 200 mA with overload and short-circuit protection |
| IP degree of protection | IP67 conforming to IEC 60529 |

Complementary

| | |
|----------------|-----------|
| Thread type | M30 x 1.5 |
| Detection face | Frontal |
| Front material | PPS |

| | |
|----------------------------|---------------------------|
| Sensing range | > 8...15 mm |
| Adjustable frequency range | 120...3000 cyc/mn |
| Operating zone | 0...8 mm |
| Differential travel | 3...15% of Fr |
| Repeat accuracy | 3% of Sr |
| Cable composition | 3 x 0.34 mm ² |
| Wire insulation material | PVC |
| Status LED | Output state: 1 LED (red) |
| Supply voltage limits | 10...58 V DC |
| Switching frequency | <= 800 Hz |
| Maximum voltage drop | <1.8 V (closed) |
| Current consumption | 0...15 mA no-load |
| Run-up delay at power-up | 9 s standard |
| Marking | CE |
| Threaded length | 67 mm |
| Length | 81 mm |
| Net weight | 0.3 kg |

Environment

| | |
|---------------------------------------|------------------|
| Product certifications | CCC CSA UL |
| Ambient air temperature for operation | -25...70 °C |
| Ambient air temperature for storage | -40...85 °C |

Packing Units

| | |
|------------------------------|-----------|
| Unit Type of Package 1 | PCE |
| Number of Units in Package 1 | 1 |
| Package 1 Height | 4.100 cm |
| Package 1 Width | 9.500 cm |
| Package 1 Length | 13.200 cm |
| Package 1 Weight | 232.000 g |
| Unit Type of Package 2 | S02 |
| Number of Units in Package 2 | 22 |
| Package 2 Height | 15.000 cm |
| Package 2 Width | 30.000 cm |
| Package 2 Length | 40.000 cm |
| Package 2 Weight | 5.387 kg |

Offer Sustainability

| | |
|--------------------------|---|
| Sustainable offer status | Green Premium product |
| REACH Regulation | REACH Declaration |
| EU RoHS Directive | Pro-active compliance (Product out of EU RoHS legal scope) EU RoHS Declaration |

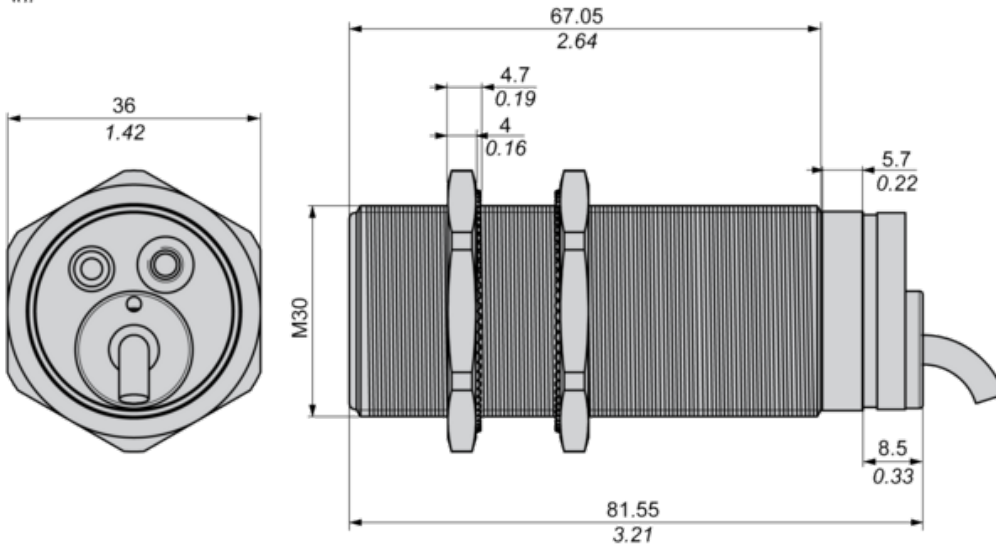
| | |
|-----------------------------------|---|
| Mercury free | Yes |
| RoHS exemption information | Yes |
| Environmental Disclosure | Product Environmental Profile |
| Circularity Profile | End of Life Information |
| California proposition 65 | WARNING: This product can expose you to chemicals including: Diisononyl phthalate (DINP), which is known to the State of California to cause cancer, and Di-isodecyl phthalate (DIDP), which is known to the State of California to cause birth defects or other reproductive harm. For more information go to www.P65Warnings.ca.gov |

Contractual warranty

| | |
|-----------------|-----------|
| Warranty | 18 months |
|-----------------|-----------|

Dimensions

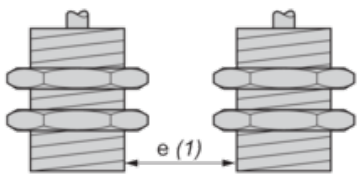
mm
in.



(1) LED

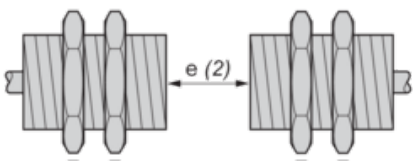
Minimum Mounting Distances

Side by side



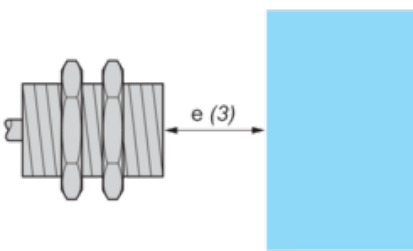
$e (1) \geq 20 \text{ mm}/0.79 \text{ in}$

Face to face



$e (2) \geq 120 \text{ mm}/4.72 \text{ in}$

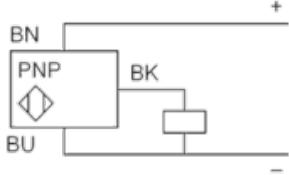
Facing a metal object



$e (3) \geq 30 \text{ mm}/1.18 \text{ in.}$

Wiring Schemes

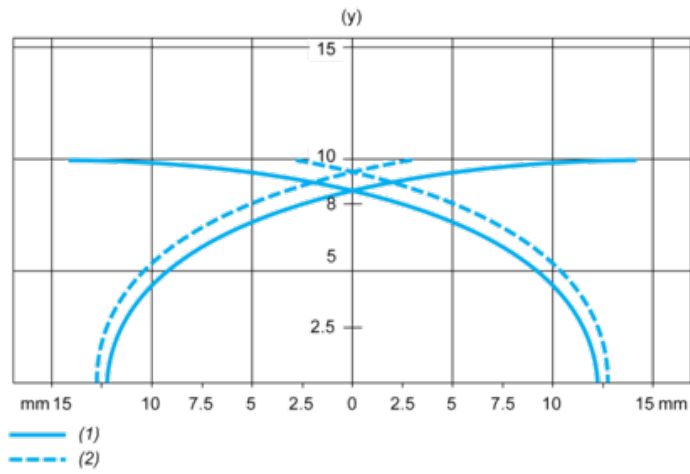
3-wire DC



- BU** : Blue
- BN** : Brown
- BK** : Black

Performance Curves

Standard Steel Target : 30x30x1 mm



- (1) Pick-up points
- (2) Drop-out points (object approaching from the side)
- (y) Sensing distance in mm

Recommended replacement(s)