

# Product data sheet

Specifications



## Inductive proximity sensors XS, inductive sensor XS4 M18, L60mm, PPS, Sn8mm, 12...24 VDC, cable 2 m

XS4P18KP340

### Main

Range of product	Telemecanique Inductive proximity sensors XS
Series name	General purpose
Sensor type	Inductive proximity sensor
Sensor name	XS4
Sensor design	Cylindrical M18
Size	60 mm
Body type	Fixed
Detector flush mounting acceptance	Non flush mountable
Material	Plastic
Type of output signal	Discrete
Wiring technique	4-wire
[Sn] nominal sensing distance	8 mm
Discrete output function	1 NO or 1 NC programmable
Output circuit type	DC
Discrete output type	PNP and NPN
Electrical connection	Cable
Cable length	2 m
[Us] rated supply voltage	12...24 V DC with reverse polarity protection
Switching capacity in mA	<= 200 mA with overload and short-circuit protection
IP degree of protection	IP68 double insulation conforming to IEC 60529

### Complementary

Thread type	M18 x 1
Detection face	Frontal
Front material	PPS
Enclosure material	PPS
Operating zone	0...6.4 mm
Differential travel	1...15% of Sr

<b>Cable composition</b>	4 x 0.34 mm <sup>2</sup>
<b>Wire insulation material</b>	PvR
<b>Status LED</b>	Output state: 1 LED (yellow)
<b>Supply voltage limits</b>	10...36 V DC
<b>Switching frequency</b>	<= 2000 Hz
<b>Maximum voltage drop</b>	<2.6 V (closed)
<b>Current consumption</b>	0...10 mA no-load
<b>Maximum delay first up</b>	5 ms
<b>Maximum delay response</b>	0.15 ms
<b>Maximum delay recovery</b>	0.35 ms
<b>Marking</b>	CE
<b>Threaded length</b>	51 mm
<b>Height</b>	18 mm
<b>Length</b>	60 mm
<b>Net weight</b>	0.1 kg

## Environment

<b>Product certifications</b>	UL CSA
<b>Ambient air temperature for operation</b>	-25...70 °C
<b>Ambient air temperature for storage</b>	-40...85 °C
<b>Vibration resistance</b>	25 gn amplitude = +/- 2 mm (f = 10...55 Hz) conforming to IEC 60068-2-6
<b>Shock resistance</b>	50 gn for 11 ms conforming to IEC 60068-2-27

## Packing Units

<b>Unit Type of Package 1</b>	Db
<b>Number of Units in Package 1</b>	1
<b>Package 1 Height</b>	4.100 cm
<b>Package 1 Width</b>	9.500 cm
<b>Package 1 Length</b>	13.000 cm
<b>Package 1 Weight</b>	89.000 g
<b>Unit Type of Package 2</b>	Doboz
<b>Number of Units in Package 2</b>	44
<b>Package 2 Height</b>	30.000 cm
<b>Package 2 Width</b>	30.000 cm
<b>Package 2 Length</b>	40.000 cm
<b>Package 2 Weight</b>	4.365 kg

## Offer Sustainability

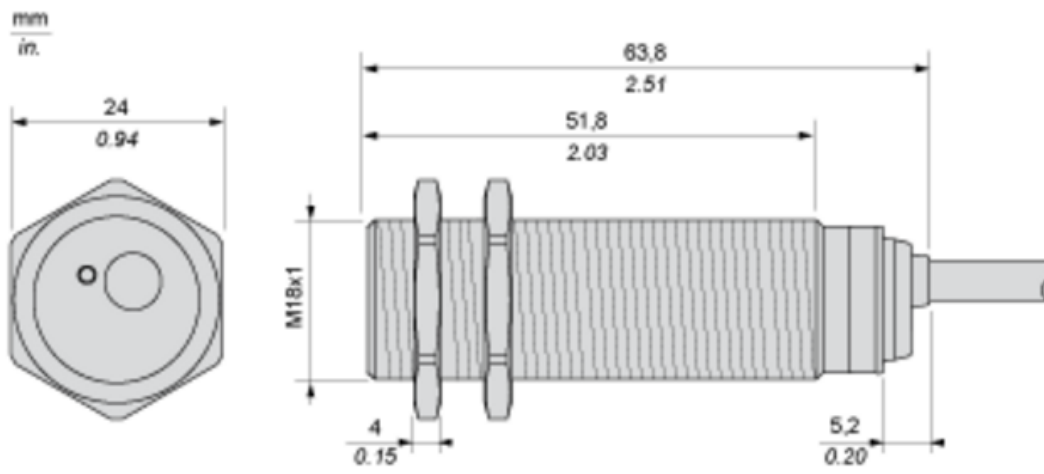
<b>Sustainable offer status</b>	Green Premium product
<b>REACH Regulation</b>	<a href="#">REACH Declaration</a>
<b>EU RoHS Directive</b>	Pro-active compliance (Product out of EU RoHS legal scope) <a href="#">EU RoHS Declaration</a>

<b>Mercury free</b>	Yes
<b>RoHS exemption information</b>	<a href="#">Yes</a>
<b>Environmental Disclosure</b>	<a href="#">Product Environmental Profile</a>
<b>Circularity Profile</b>	<a href="#">End of Life Information</a>
<b>California proposition 65</b>	WARNING: This product can expose you to chemicals including: Diisononyl phthalate (DINP), which is known to the State of California to cause cancer, and Di-isodecyl phthalate (DIDP), which is known to the State of California to cause birth defects or other reproductive harm. For more information go to <a href="http://www.P65Warnings.ca.gov">www.P65Warnings.ca.gov</a>

## Contractual warranty

<b>Warranty</b>	18 months
-----------------	-----------

Dimensions



**Minimum Mounting Distances**

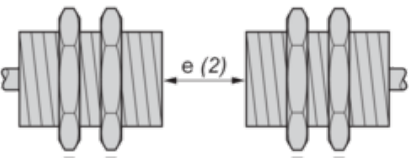
---

Side by side



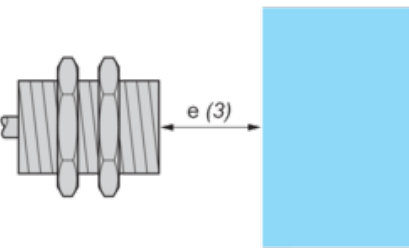
**e (1) ≥ 32 mm/1.26 in.**

Face to face



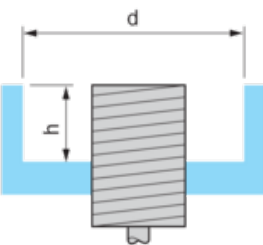
**e (2) ≥ 96 mm/3.78 in.**

Facing a metal object



**e (3) ≥ 24 mm/0.94 in.**

Mounted in a metal support



**d ≥ 56 mm/2.20 in.**

**h ≥ 16 mm/0.63 in.**

**Mounting**

---

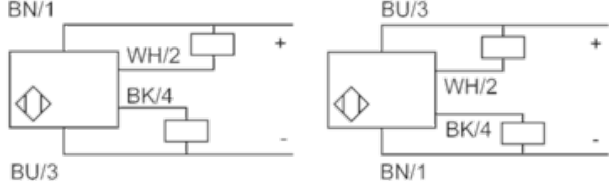


(1) Bending cable: 4 x external cable diameter

**Wiring Schemes**

---

4-Wire DC, PNP/NPN, NO or NC Output

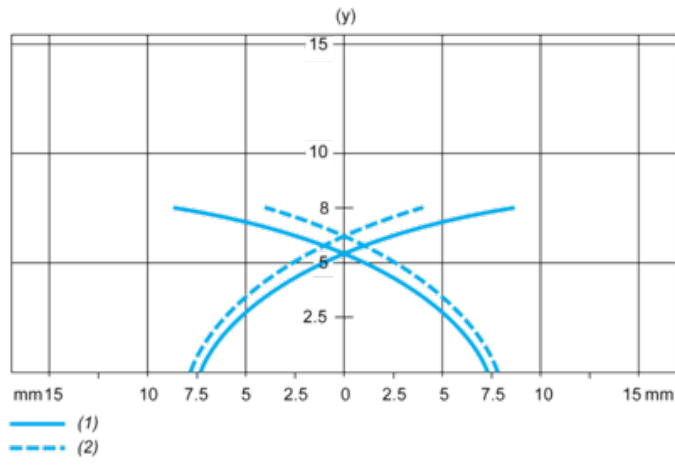


- BU** : Blue
- BN** : Brown
- BK** : Black
- WH** : White

**Performance Curves**

---

**Standard Steel Target : 24x24x1 mm**



- (1) Pick-up points
- (2) Drop-out points (object approaching from the side)
- (y) Sensing distance in mm

**Recommended replacement(s)**