



Main

| | |
|------------------------------|---|
| Range of product | Harmony XALG |
| Product or component type | Empty control station |
| Device short name | XALG |
| Product destination | For XB5 Ø 22 mm control and signalling units |
| Environmental characteristic | Severe ambiance |
| Colour of base of enclosure | Black RAL 9005 |
| Colour of cover | Black RAL 9005 |
| Material | Mineral reinforced polyamide |
| Cable entry | 2 knock-outs for ISO M20 cable entry |
| IP degree of protection | IP69 IP66 conforming to IEC 60529 IP67 conforming to IEC 60529 IP69K |

Complementary

| | |
|------------------------------------|---------------------------------|
| Assembly style | For customer assembly |
| Number of cut-out | 1 cut-out |
| CAD overall width | 90 mm |
| CAD overall height | 72 mm |
| CAD overall depth | 65 mm |
| Product weight | 0.226 kg |
| Resistance to high pressure washer | 10 mPa at 80 °C,distance: 0.2 m |

Environment

| | |
|---------------------------------------|-------------|
| Protective treatment | TC TH |
| Ambient air temperature for storage | -40...70 °C |
| Ambient air temperature for operation | -25...70 °C |

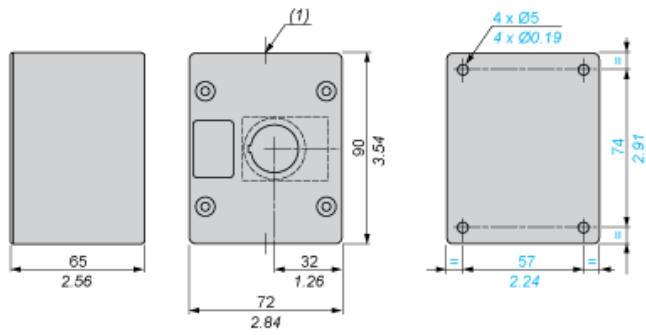
| | |
|-----------------------------------|--|
| Electrical shock protection class | Class II conforming to EN/IEC 61140 |
| IK degree of protection | IK05 conforming to EN 50102 |
| Resistance to chemical agents | <p>Good resistance to lactic acid at 10 °C</p> <p>Good resistant to detergent at 60 °C</p> <p>Not resistant to formic acid (10 %) at 50 °C</p> <p>Not resistant to lactic acid at 90 °C</p> <p>Good resistance to ammonia</p> <p>Good resistance to benzene</p> <p>Good resistance to butter</p> <p>Good resistance to citric acid (10 %)</p> <p>Good resistance to cutting compounds</p> <p>Good resistance to ethane</p> <p>Good resistance to ethanol</p> <p>Good resistance to ethylene</p> <p>Good resistance to fatty acids</p> <p>Good resistance to fatty alcohols</p> <p>Good resistance to milk</p> <p>Good resistance to motor oils and greases</p> <p>Good resistance to oils (vegetable, mineral)</p> <p>Good resistance to petroleum</p> <p>Good resistant to acetone</p> <p>Good resistant to uric acid (20 %)</p> <p>Limited resistance to acetic acid (10 %)</p> <p>Limited resistance to boric acid</p> <p>Not resistant to hydrogen peroxide (30 %)</p> <p>Not resistant to nitric acid (2 %)</p> |
| Standards | <p>EN/IEC 60947-5-1</p> <p>EN/IEC 60947-1</p> |

Contractual warranty

| | |
|-----------------|-----------|
| Warranty period | 18 months |
|-----------------|-----------|

Dimensions

mm
in.



(1) 2 ISO 20 cable entries.