

1. PVC FLEXIBLE CORD

1.1 SCOPE

This specification shall be in accordance with **EN 50525-2-11**

Polyvinyl chloride insulated cables of rated voltages up to and including 450/750 V

1.2 CONSTRUCTION

| | |
|------------|---|
| CONDUCTOR | ANNEALED COPPER WIRE |
| INSULATION | PVC(BLUE,BROWN,GREEN/YELLOW) MEAN VALUE OF THICKNESS : MIN.0.6mm |
| SHEATH | PVC MEAN VALUE OF THICKNESS : MIN.0.8mm |

| ITEM | UNIT | SPEC.VALUE | |
|------------------------------------|--------------|-----------------|--------------------|
| RATED VOLTAGE (U ₀ /U) | V/V | 300/500 | |
| NO. OF CORE | NO. | 3 | |
| CONDUCTOR | NOMINAL AREA | mm ² | 0.75 |
| | CONSTRUCTION | NO/mm | 32/0.18 or 24/0.20 |
| THICKNESS OF INSULATION | mm | 0.6 | |
| THICKNESS OF SHEATH | mm | 0.8 | |
| NOMINAL OVERALL DIAMETER | mm | 6.8±0.2 | |
| CONDUCTOR RESISTANCE(AT20°C) | ohm/km | 26.0(MAX) | |
| TEST VOLTAGE | V/min | 2000/15 | |

1.3 SOURCE FOR FLEXIBLE CORD

- RHYTHM
- I-SHENG
- LIAN DUNG

2. PLUG

2.1 SCOPE

The plug shall be in accordance with **I.E.C 320-2-2**

Appliance Couplers for Household and Similar General Purposes

2.2 CONSTRUCTION

The Plug construction shall be in accordance with our Catalogue

NO.LT-602 Rating.10A 250V~

2.3 CHARACTERISTICS

| NO | TEST ITEM | SPEC. VALUE | TEST RESULTS |
|----|----------------------------|---|----------------------------|
| 1. | Moisture resistance test | Samples are kept in a humidity cabinet containing air with a relative humidity between 91 to 95% and a temperature of 20~30°C for a duration of 48 hours. | No damage |
| 2. | Electric strength test | A voltage of A.C.2000V is applied for 2-3 sec. after the moisture resistance test. | No flashover and breakdown |
| 3. | Insulation resistance test | This test is measured with a D.C.500V after the moisture resistance test. | Min 5 M Ohm |
| 4. | Normal operation test | The plug is inserted into and withdraw from the socket-outlets 5000 times at rated current. And they shall withstand an electric strength. | Withstand 1500v/1min |
| 5. | Temperature rise test | An alternating current of 4A is passed through poles for 1 hours. | Max.45°C any points |
| 6. | Bending test | The samples shall be loaded with a weight of 10N(1.02kg) and the oscillating number shall be moved backward and forward through an angle of 90°(45°on either side of the vertical) the number of flexing being 10,000.The rated current of plug is passed through the conductors. After the test, the voltage drop shall not exceed 10mv. | No damage |

| NO | TEST ITEM | SPEC. VALUE | TEST RESULTS |
|-----|---|--|--------------|
| 7. | Tumbling test | The samples are dropped from a height of 50cm onto a steel plate (3mm thick) for a total of 1000 times. | No damage |
| 8. | Cold impact test | The samples are kept in a refrigerator at a temperature of $-15\pm 2^{\circ}\text{C}$, for at least 16 hours The samples are then allowed to fall by the hammer from a height of 10cm. | No damage |
| 9. | Abrasion test | The pin of sample slopes downwards at angles of 10°C to the horizontal. The sample is loaded with a force of 4N(0.41kg) on the pin. The number of movement is 2000, and the length of pin subjected to abrasion is approximately 7mm over the insulating collar. | No damage |
| 10. | Heat deformation test | The samples are kept for 1 hour in a heating cabinet at temperature of $100\pm 5^{\circ}\text{C}$. | No damage |
| 11. | Heat pressure test | The samples are applied 20N(2.04kg) at a temperature of $80\pm 2^{\circ}\text{C}$ for 1 hr. | No damage |
| 12. | Aging test | The samples are kept for 168 hours in a heating cabinet at temperature of $80\pm 2^{\circ}\text{C}$. | No damage |
| 13. | Deformation resistance at higher temperature test | The test temperature is 70°C for 6 hours .The test weight is 1N(0.11kg). The diameter of the ball impression shall not be greater than 3mm. | No damage |
| 14. | Pressure test | The samples are applied 300N(30.6kg) at a temperature of $20\pm 2^{\circ}\text{C}$ for 1min. | No damage |

3. CONNECTOR

3.1 SCOPE

The connector shall be in accordance with IEC 320 Stand Sheet C 13 (Appliance coupler).

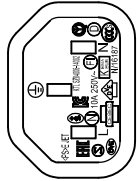
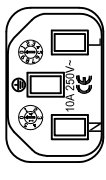
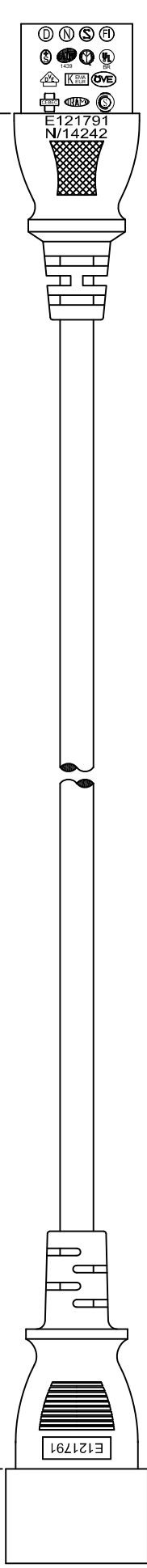
3.2 CONSTRUCTION

The connector construction shall be in accordance with our Catalogue NO.LT-501. 10A 250V~

3.3 CHARACTERISTICS

| NO | TEST ITEM | SPEC. VALUE | TEST RESULTS |
|----|----------------------------|---|----------------------------|
| 1. | Moisture resistance test | Samples are kept in a humidity cabinet containing air with a relative humidity between 91 to 95% and a temperature of 20~30°C for a duration of 48 hours. | No damage |
| 2. | Electric strength test | A voltage of A.C.2000V is applied for 1 min. after the moisture resistance test. | No flashover and breakdown |
| 3. | Insulation resistance test | This test is measured with a D.C.500V after the moisture resistance test. | Min.5 M Ohm. |
| 4. | Flexing test | The sample shall be loaded with a weight of 10N(1.02kg) and the oscillating number shall be moved backward and forward through an angle of 90°(45°on either side of the vertical) the number of flexing being 20,000. The sample is turned through 90°after 5000 flexing. | No damage |
| 5. | Tumbling test | The samples are drop from a height of 50cm onto a plywood base(10mm thick) for a total of 1000 times | No damage |
| 6. | Cold test | The samples are kept in a refrigerator at a temperature of -15±2°C, for 1 hour. | No damage |
| 7. | Heat Deformation test | The samples are kept for 1 hour in a heating cabinet at temperature of 70±2°C. | No damage |

1800±50

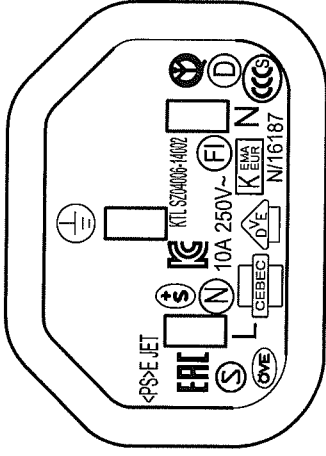
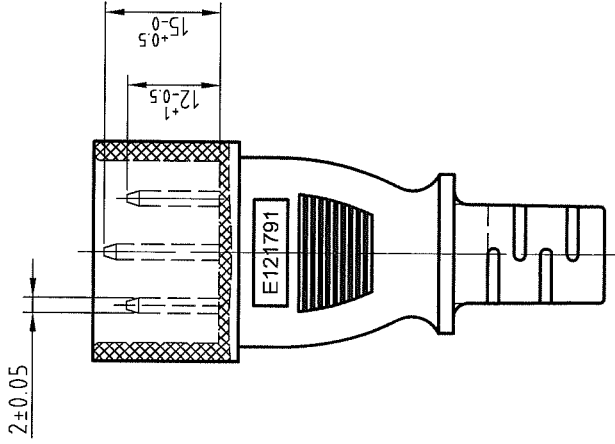
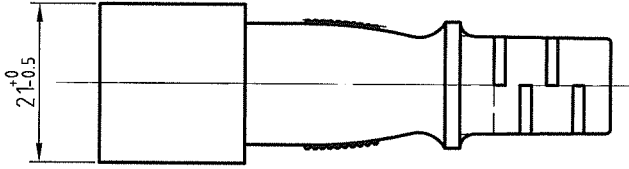
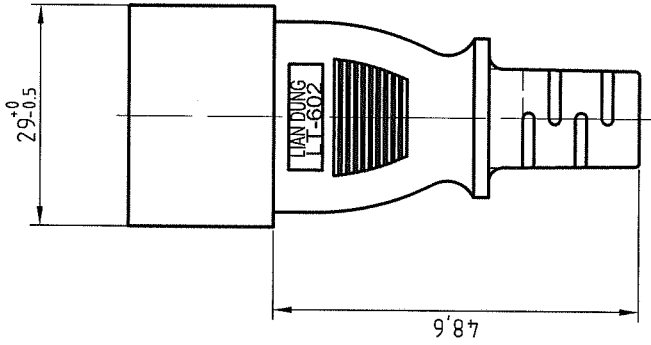
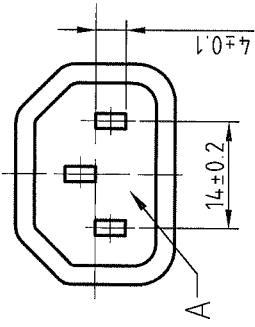


NOTE :

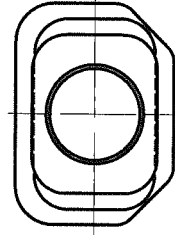
1. PLUG : LT-602
2. CONNECTOR : LT-501 IEC-320 C13
3. CORD : H05VV-F 3G0.75mm² BLK 1.8m
4. APPROVALS : VDE
5. CUSTOMER : TME
6. Supplier for flexible cord : RHYTHM、I-SHENG、LIAN DUNG
7. P/N : WN111-3/07/1.8B

| | | | | | | | |
|------|-------------|--------|----------------------|----------|-------|------------|--------|
| 3. | DRAWER | Qummin | DATE | 18/03/15 | TITLE | LT-602+501 | |
| | | | APPROVE | | REV. | 2 | Dr.No. |
| 1. | | | 比例 | | | TOL. | ±5mm |
| PART | DESCRIPTION | DATE | ALL DIMENSIONS IN mm | | | | |

LIAN DUNG
ELECTRIC WIRE MATERIAL CO.,LTD.
聯東電線材料股份有限公司

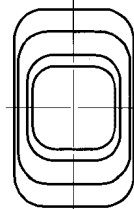
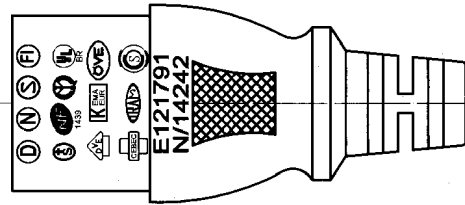
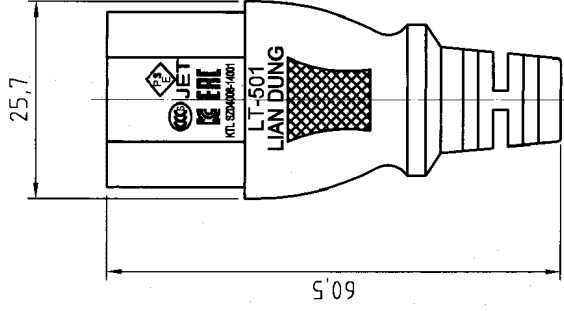
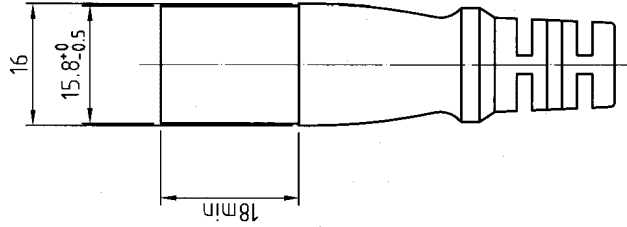
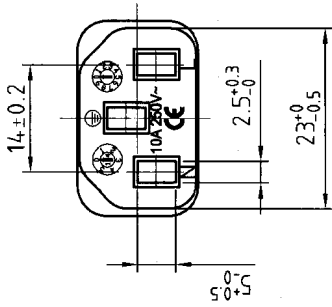


A 字版 2:1



| PART | DESCRIPTION | DATE | DRAWER | 葉惠菁 | DATE | TITLE | LT-602-環球 |
|------|-------------|------|---------|-----|----------|----------------------|-----------|
| 1. | | | APPROVE | | 15/06/22 | Dr.No. | C602005 |
| 2. | | | | | 比例 1:1 | TOL. | ±0.8mm |
| 3. | | | | | | ALL DIMENSIONS IN mm | |

LIAN DUNG
ELECTRIC WIRE MATERIAL CO.,LTD.
聯東電線材料股份有限公司



| PART | DESCRIPTION | DATE | DRAWER | DATE | REV. | TITLE | ALL DIMENSIONS IN mm |
|------|-------------|------|---------|----------|------|-----------|----------------------|
| 1. | | | 葉惠菁 | 15/12/08 | 2 | LT-501-環球 | |
| 2. | | | APPROVE | | | Dr.No. | C501010 |
| 3. | | | | | | TOL. | $\pm 0.8 \text{ mm}$ |


LIAN DUNG
 ELECTRIC WIRE MATERIAL CO.,LTD.
 聯東電線材料股份有限公司