



## Wzmacniacze światłowodowe WLL180T, Fiber-optic photoelectric sensor

WLL180T-P434



**SICK**  
Sensor Intelligence.

Nazwa modelu > **WLL180T-P434**

Numer cz ci > **6039095**



#### At a glance

- Selectable response time up to 16  $\mu$ s
- Sensing range up to 20 m, sensing distance up to 1400 mm
- Bus-compatible with anti-interference
- 2 x 4-digit display
- Adjustable hysteresis
- Rotatable display screen
- High-resolution signal processing
- Programmable time delays

#### Your benefits

- Reliable, rapid process detection, even under the most difficult ambient conditions, such as dust, spray or mist
- Easy commissioning and product changeover due to external teach-in
- Cross-talk is eliminated when utilizing bus configuration option
- Quick, easy setup and adjustment due to an intuitive operating menu
- Flexible parameter adjustment due to high-resolution signal processing. Hysteresis and time delays can be adapted to suit the application, e.g., when detecting tiny or transparent objects
- Easy-to-read display, even under difficult installation conditions



#### Cechy

Typ urządzenia:	Stand-alone
Wymiary (Szer. x Wys. x Głęb.):	10,5 mm x 34,6 mm x 71,9 mm
Maks. strefa działania::	0 m ... 20 m, through-beam system <sup>1) 2)</sup>
Sensing range:::	0,5) 18) m, through-beam system, 0 mm ... 1.400 mm, proximity system <sup>3)</sup>
Nadajnik światła:	LED <sup>7)</sup>
Rodzaj światła:	Widzialne światło czerwone
Długość fali:	650 nm
Nastawienie czułości:	Teach-in button cable +/- increment button, manual
Adjustment of operating distance:	Cable, +/- increment button, manual, Teach-in button
Teach-in:	Menu-controlled
Typ czasu:	Without time delay time delay off switch on delay ON and OFF delay one shot

Czas opóźnienia:	Programmable: 0 ... 9.999 ms
Indication:	Display
Zasada działania czujnika/Sposób detekcji:	Fiber-optic photoelectric sensor
Kąt promieniowania:	Ca. 65 °
Housing design (light emission):	Prostopadłościenna
Display:	LED status display / 2x 4-character digital dual displays, Set value (green indicator) and actual value (red indicator) are displayed simultaneously, display of parameters

1) 5) Sensing range with 8 ms response time. Scanning range reduction with shorter response time (see tables LL3/WLL180T) 2) 6) LL3-TX01 3) Objects to be sensed with 90% reflectivity (based on DIN 5033 white standard). sensing distance with 8 ms response time. sensing distance reduction with shorter response time (see tables LL3/WLL180T) 4) LL3-DK06 7) Average service life 100,000 h at Ta = +25 °C

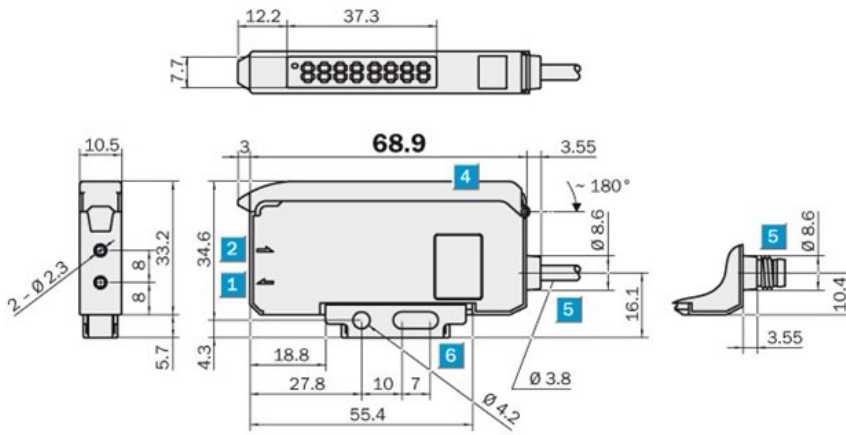
## Mechanika/elektronika

Enclosure rating:	IP 50 <sup>1)</sup>
Napięcie zasilania:	12 V DC ... 24 V DC <sup>2)</sup>
Tętnienia resztkowe:	≤ 10 % <sup>3)</sup>
Current consumption:	≤ 50 mA <sup>4)</sup>
Wyjście przełączające:	PNP, przełączanie jasno/ciemno, wybierane, manually selectable, open collector
Output current I <sub>max</sub> .:	≤ 100 mA
Czas reakcji:	≤ 2 ms ≤ 8 ms ≤ 16 μs ≤ 70 μs ≤ 250 μs <sup>5)</sup>
Switching frequency:	31,2 kHz 7,1 kHz 2 kHz 250 Hz 62,5 Hz
Sposób przyłączenia:	Connector M8, 4-pin
Klasa ochronności:	III
Układ zabezpieczenia:::::	A, B, C, D <sup>6) 7) 8) 9)</sup>
Special device:	0
Tworzywo, obudowa:	ABS/PC
Ambient operating temperature:	-25 °C ... 55 °C
Ambient storage temperature:	-40 °C ... 70 °C

See LL3 fiber-optic data;

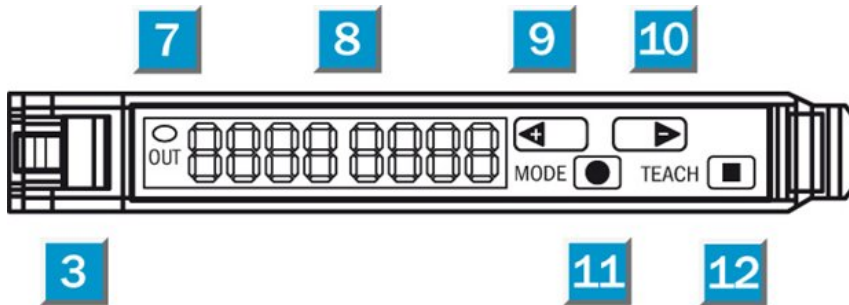
1) With correctly attached fibre-optic cable LL3 and closed protection hood <sup>2)</sup> +- 10% <sup>3)</sup> May not exceed or fall short of V <sup>4)</sup> Without load <sup>5)</sup> Selectable <sup>6)</sup> A = V <sub>S</sub>  
connections reverse-polarity protected <sup>7)</sup> B = inputs and output reverse-polarity protected <sup>8)</sup> C = interference suppression <sup>9)</sup> D = outputs overcurrent and short-circuit protected

## Dimensional drawing



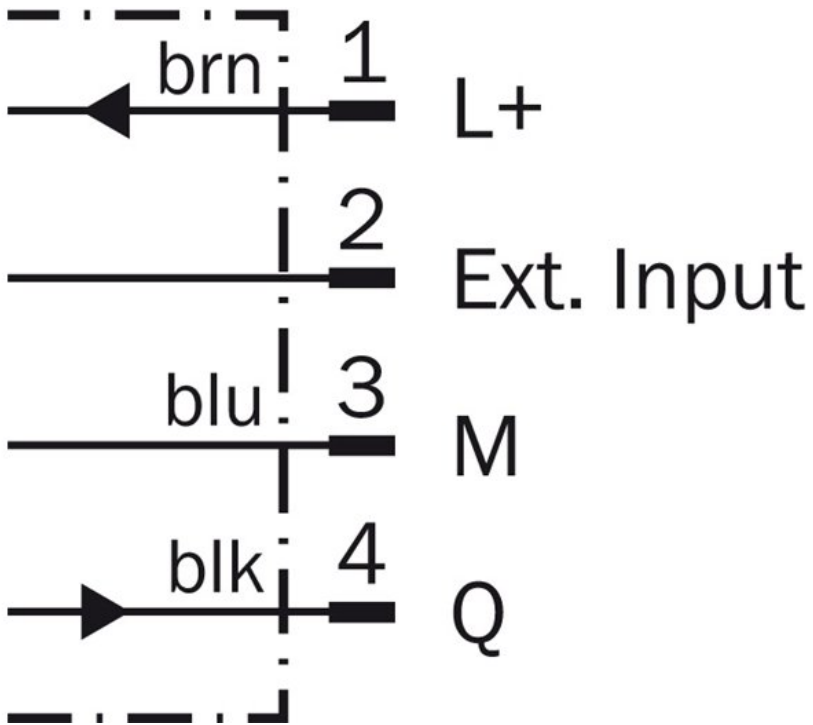
- [1] Sender LED, installation of LL3 fibre-optic cable (sender fibre)
- [2] Receiver, installation of LL3 fibre optic cable (receiver fibre)
- [3] Locking the fiber-optic cables
- [4] Protective hood, can be raised at both ends
- [5] Connection
- [6] Mounting bracket, included

## Adjustments possible

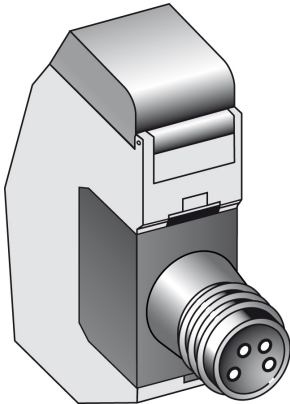


- [3] Locking the fiber-optic cables
- [7] LED indicator orange, lights up when switching output is active
- [8] Numeric display 2 x 4-digit; green: switching threshold, operating mode; red: actual value, Teach-in and function parameter
- [9] Step-button > (manual switching threshold: higher; or next function parameter)
- [10] Step-button < (manual switching threshold: lower; or previous function parameter)
- [11] Mode/Enter-button
- [12] "Teach-in" push button

Connection diagram



Connection type



**Australia**

Phone +61 3 9457 0600  
1800 334 802 – tollfree  
E-Mail sales@sick.com.au

**Belgium/Luxembourg**

Phone +32 (0)2 466 55 66  
E-Mail info@sick.be

**Brasil**

Phone +55 11 3215-4900  
E-Mail sac@sick.com.br

**Canada**

Phone +1 905 771 14 44  
E-Mail information@sick.com

**Ceská Republika**

Phone +420 2 57 91 18 50  
E-Mail sick@sick.cz

**China**

Phone +86 4000 121 000  
E-Mail info.china@sick.net.cn  
Phone +852-2153 6300  
E-Mail ghk@sick.com.hk

**Danmark**

Phone +45 45 82 64 00  
E-Mail sick@sick.dk

**Deutschland**

Phone +49 211 5301-301  
E-Mail kundenservice@sick.de

**España**

Phone +34 93 480 31 00  
E-Mail info@sick.es

**France**

Phone +33 1 64 62 35 00  
E-Mail info@sick.fr

**Great Britain**

Phone +44 (0)1727 831121  
E-Mail info@sick.co.uk

**India**

Phone +91-22-4033 8333  
E-Mail info@sick-india.com

**Israel**

Phone +972-4-6801000  
E-Mail info@sick-sensors.com

**Italia**

Phone +39 02 27 43 41  
E-Mail info@sick.it

**Japan**

Phone +81 (0)3 3358 1341  
E-Mail support@sick.jp

**Magyarország**

Phone +36 1 371 2680  
E-Mail office@sick.hu

**Nederlands**

Phone +31 (0)30 229 25 44  
E-Mail info@sick.nl

**Norge**

Phone +47 67 81 50 00  
E-Mail austefjord@sick.no

**Österreich**

Phone +43 (0)22 36 62 28 8-0  
E-Mail office@sick.at

**Polska**

Phone +48 22 837 40 50  
E-Mail info@sick.pl

**România**

Phone +40 356 171 120  
E-Mail office@sick.ro

**Russia**

Phone +7-495-775-05-30  
E-Mail info@sick.ru

**Schweiz**

Phone +41 41 619 29 39  
E-Mail contact@sick.ch

**Singapore**

Phone +65 6744 3732  
E-Mail admin@sicksgp.com.sg

**Slovenija**

Phone +386 (0)1-47 69 990  
E-Mail office@sick.si

**South Africa**

Phone +27 11 472 3733  
E-Mail info@sickautomation.co.za

**South Korea**

Phone +82 2 786 6321/4  
E-Mail info@sickkorea.net

**Suomi**

Phone +358-9-25 15 800  
E-Mail sick@sick.fi

**Sverige**

Phone +46 10 110 10 00  
E-Mail info@sick.se

**Taiwan**

Phone +886-2-2375-6288  
E-Mail sales@sick.com.tw

**Türkiye**

Phone +90 (216) 528 50 00  
E-Mail info@sick.com.tr

**United Arab Emirates**

Phone +971 (0) 4 8865 878  
E-Mail info@sick.ae

**USA/México**

Phone +1(952) 941-6780  
1 800-325-7425 – tollfree  
E-Mail info@sickusa.com

More representatives and agencies  
at [www.sick.com](http://www.sick.com)