



## Fotoprzełączniki V18, Fotoprzełącznik odbiciowy, energetyczny

VTE18-4P4240



Nazwa modelu > **VTE18-4P4240**

Numer cz ci > **6013263**



#### At a glance

- Cylindrical M18 housing
- Three sensing distances of 200 mm, 400 mm or 800 mm
- 3- or 4-wire
- Straight or right-angle housing
- Metal or plastic housing

#### Your benefits

- Simple, standardized design ensures easy mounting, alignment and replacement
- Compact, space-saving design easily fits in tight application spaces



#### Cechy

Zasada działania czujnika/Sposób detekcji:	Fotoprzekaźnik odbiciowy, energetyczny
Housing design (light emission):	Cylindrical, straight, straight
Długość obudowy:	78 mm
Thread diameter (housing):	M18 x 1
Oś optyczna:	Osiowa
Maks. strefa działania:	5 mm ... 400 mm <sup>1)</sup>
Sensing range:	5 mm ... 350 mm
Rodzaj światła:	Światło podczerwone
Nadajnik światła:	LED <sup>2)</sup>
Light spot (distance):	20 mm (400 mm)
Nastawienie czułości:	Potentiometer, 270°
Kąt promieniowania:	2,8 °

<sup>1)</sup> Obiekt odbijający 90% światła (standardowy biały zgodnie z normą DIN 5033) <sup>2)</sup> Average service life 100,000 h at Ta = +25 °C

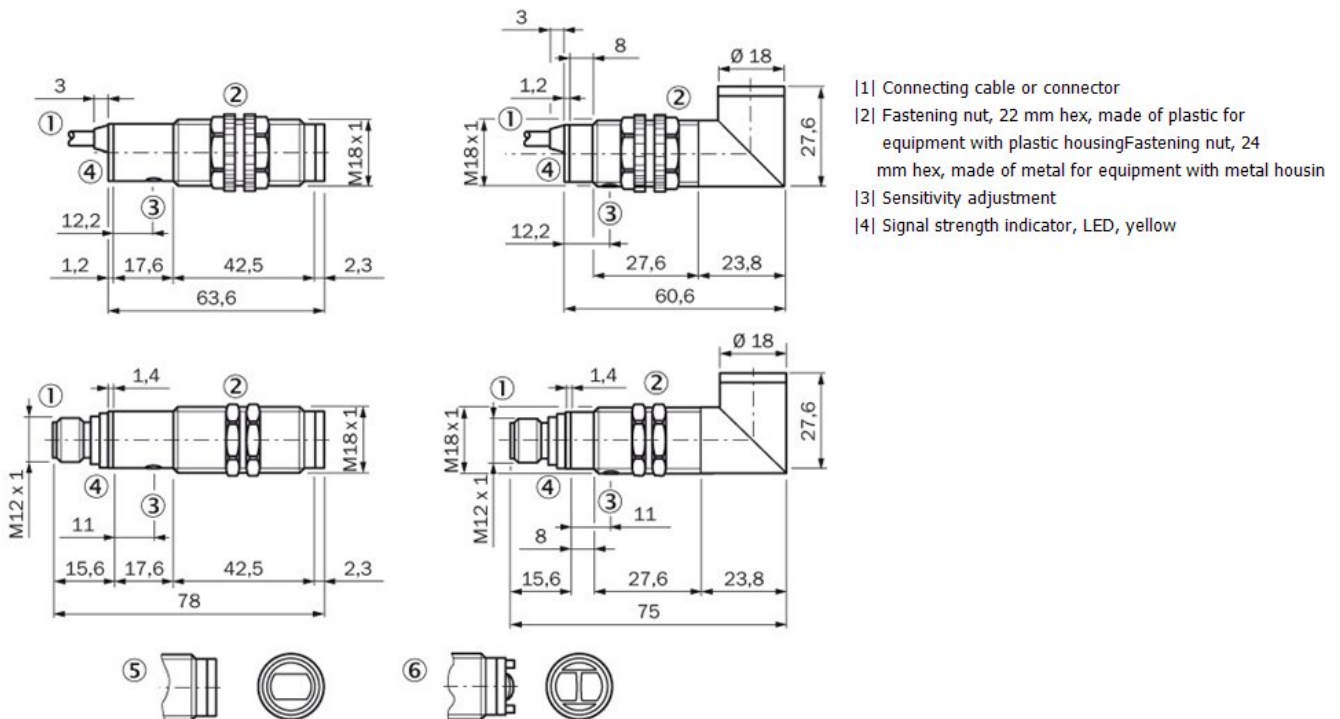
#### Mechanika/elektronika

Napięcie zasilania:	10 V DC ... 30 V DC <sup>1)</sup>
Tętnienia resztkowe:	≤ 10 % <sup>2)</sup>
Current consumption:	≤ 30 mA <sup>3)</sup>
Wyjście przełączające:	PNP, przełączanie jasno/ciemno, wybierane, Selectable via L/D control wire, open collector <sup>4)</sup>
Output current I <sub>max</sub> ·:	100 mA
Czas reakcji:	≤ 2 ms <sup>5)</sup>
Switching frequency:	250 Hz <sup>6)</sup>
Sposób przyłączenia:	Connector M12, 4-pin

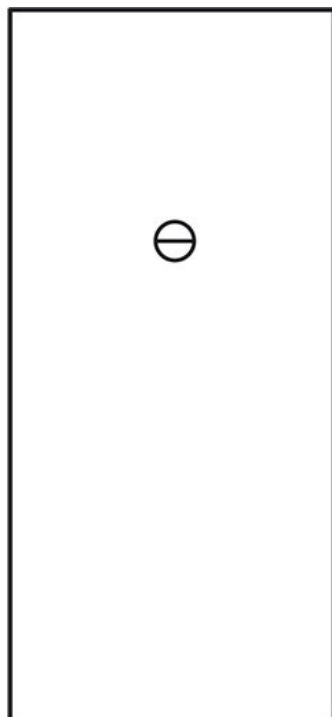
Układ zabezpieczenia::: A, B, C, D <sup>7) 8) 9) 10)</sup>  
 Klasa ochrony: III  
 Ciężar: 120 g  
 Tworzywo, obudowa: Mosiądz niklowany  
 Tworzywo, układ optyczny: PMMA  
 Enclosure rating: IP 67  
 Ambient operating temperature: -25 °C ... 70 °C  
 UL File-No.: UL No. NMFT2.E175606

1) Limit values 2) May not exceed or fall short of  $V_S$  <sup>3)</sup> Bez obciążenia <sup>4)</sup> Control wire open: dark-switching D.ON <sup>5)</sup> Signal transit time with resistive load <sup>6)</sup> With light/dark ratio 1:1 <sup>7)</sup> A =  $V_S$  connections reverse-polarity protected <sup>8)</sup> B = inputs and output reverse-polarity protected <sup>9)</sup> C = interference suppression <sup>10)</sup> D = outputs overcurrent and short-circuit protected

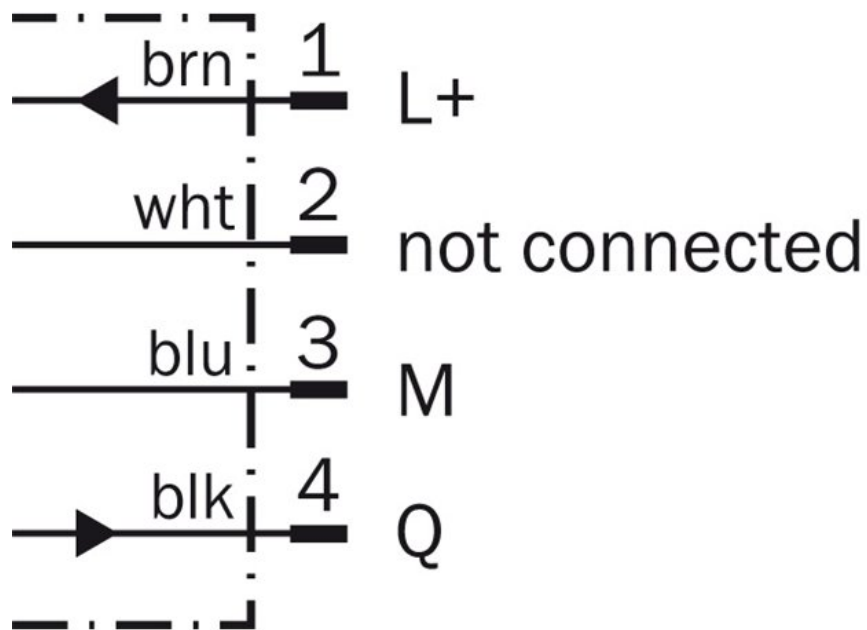
### Dimensional drawing



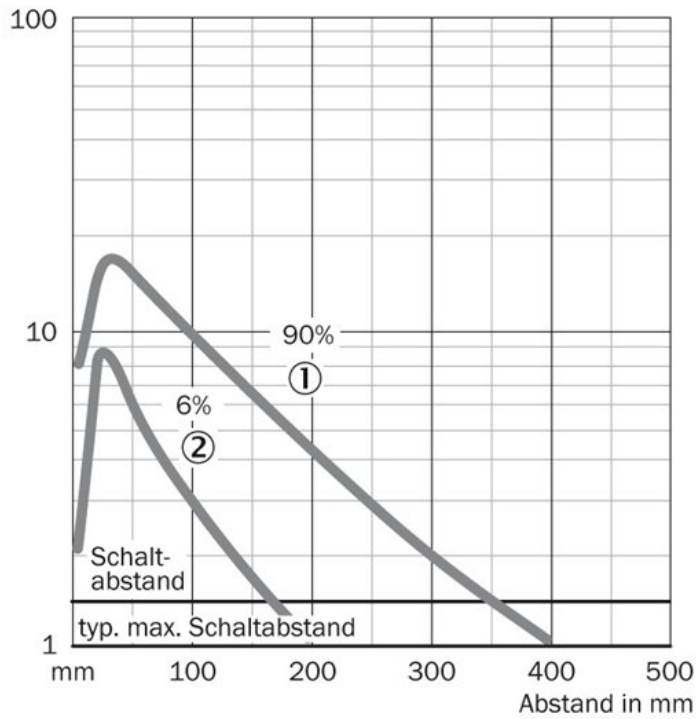
Adjustments possible



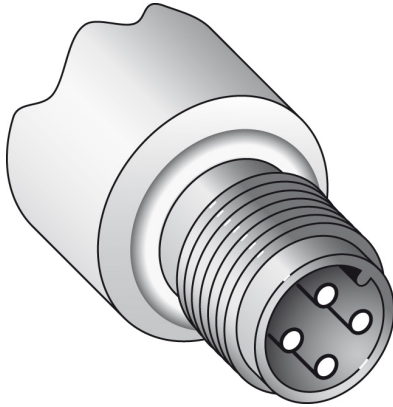
Connection diagram



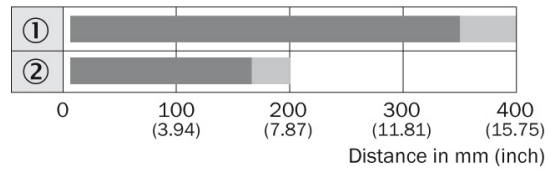
## Characteristic curve



## Connection type



## Sensing range diagram



■ Operating distance    ■ Scanning distance typ. max.

① Scanning range on white, 90 % remission

② Scanning range on black, 6 % remission

**Australia**

Phone +61 3 9457 0600  
1800 334 802 – tollfree  
E-Mail sales@sick.com.au

**Belgium/Luxembourg**

Phone +32 (0)2 466 55 66  
E-Mail info@sick.be

**Brasil**

Phone +55 11 3215-4900  
E-Mail sac@sick.com.br

**Canada**

Phone +1 905 771 14 44  
E-Mail information@sick.com

**Ceská Republika**

Phone +420 2 57 91 18 50  
E-Mail sick@sick.cz

**China**

Phone +86 4000 121 000  
E-Mail info.china@sick.net.cn  
Phone +852-2153 6300  
E-Mail ghk@sick.com.hk

**Danmark**

Phone +45 45 82 64 00  
E-Mail sick@sick.dk

**Deutschland**

Phone +49 211 5301-301  
E-Mail kundenservice@sick.de

**España**

Phone +34 93 480 31 00  
E-Mail info@sick.es

**France**

Phone +33 1 64 62 35 00  
E-Mail info@sick.fr

**Great Britain**

Phone +44 (0)1727 831121  
E-Mail info@sick.co.uk

**India**

Phone +91-22-4033 8333  
E-Mail info@sick-india.com

**Israel**

Phone +972-4-6801000  
E-Mail info@sick-sensors.com

**Italia**

Phone +39 02 27 43 41  
E-Mail info@sick.it

**Japan**

Phone +81 (0)3 3358 1341  
E-Mail support@sick.jp

**Magyarország**

Phone +36 1 371 2680  
E-Mail office@sick.hu

**Nederlands**

Phone +31 (0)30 229 25 44  
E-Mail info@sick.nl

**Norge**

Phone +47 67 81 50 00  
E-Mail austefjord@sick.no

**Österreich**

Phone +43 (0)22 36 62 28 8-0  
E-Mail office@sick.at

**Polska**

Phone +48 22 837 40 50  
E-Mail info@sick.pl

**România**

Phone +40 356 171 120  
E-Mail office@sick.ro

**Russia**

Phone +7-495-775-05-30  
E-Mail info@sick.ru

**Schweiz**

Phone +41 41 619 29 39  
E-Mail contact@sick.ch

**Singapore**

Phone +65 6744 3732  
E-Mail admin@sicksgp.com.sg

**Slovenija**

Phone +386 (0)1-47 69 990  
E-Mail office@sick.si

**South Africa**

Phone +27 11 472 3733  
E-Mail info@sickautomation.co.za

**South Korea**

Phone +82 2 786 6321/4  
E-Mail info@sickkorea.net

**Suomi**

Phone +358-9-25 15 800  
E-Mail sick@sick.fi

**Sverige**

Phone +46 10 110 10 00  
E-Mail info@sick.se

**Taiwan**

Phone +886-2-2375-6288  
E-Mail sales@sick.com.tw

**Türkiye**

Phone +90 (216) 528 50 00  
E-Mail info@sick.com.tr

**United Arab Emirates**

Phone +971 (0) 4 8865 878  
E-Mail info@sick.ae

**USA/México**

Phone +1(952) 941-6780  
1 800-325-7425 – tollfree  
E-Mail info@sickusa.com

More representatives and agencies  
at [www.sick.com](http://www.sick.com)