

Panel mounting frames - VS-08-A-RJ45/MOD-1-R-IP67 - 1689844

Please be informed that the data shown in this PDF Document is generated from our Online Catalog. Please find the complete data in the user's documentation. Our General Terms of Use for Downloads are valid (<http://phoenixcontact.com/download>)




RJ45 panel mounting frame, IP67, for modular socket inserts (Keystone), for round panel cutout, with grommet, with thread and union nut, color: gray



Ethernet

Key Commercial Data

Packing unit	1 pc
GTIN	 4 017918 970802
Weight per Piece (excluding packing)	11.1 g
Custom tariff number	85389099
Country of origin	Germany

Technical data

Mechanical characteristics

Number of slots	1
Insertion/withdrawal cycles	≥ 1000
Color	gray
Tightening torque, min.	2.5 Nm

Ambient conditions

Ambient temperature (operation)	-40 °C ... 80 °C
Degree of protection	IP67

Material data

Flammability rating according to UL 94	V0
Housing material	PA
Material	Plastic
Sealing material	NBR
Seal material	NBR

Electrical characteristics

Degree of pollution	2
---------------------	---

Panel mounting frames - VS-08-A-RJ45/MOD-1-R-IP67 - 1689844

Technical data

Standards and Regulations

Flammability rating according to UL 94	V0
--	----

Classifications

eCl@ss

eCl@ss 4.0	27140816
eCl@ss 4.1	27260701
eCl@ss 5.0	27260701
eCl@ss 5.1	27260701
eCl@ss 6.0	27260705
eCl@ss 7.0	27440309
eCl@ss 8.0	27440210

ETIM

ETIM 2.0	EC000764
ETIM 3.0	EC001121
ETIM 4.0	EC002310
ETIM 5.0	EC002310

UNSPSC

UNSPSC 6.01	31261501
UNSPSC 7.0901	31261501
UNSPSC 11	31261501
UNSPSC 12.01	31261501
UNSPSC 13.2	31261501

Approvals

Approvals

Approvals

EAC

Ex Approvals

Approvals submitted

Approval details

Panel mounting frames - VS-08-A-RJ45/MOD-1-R-IP67 - 1689844

Approvals

EAC

Accessories

Accessories

Data plug

RJ45 socket insert - VS-08-BU-RJ45/KA/LSA - 1689459



RJ45 socket insert, modular (Keystone), CAT5e, 8-pos., shielded, with cable connection (LSA), for solid wires AWG 26 ... 22

Female insert

RJ45 socket insert - VS-08-BU-RJ45/BU - 1689064



RJ45 socket insert, modular (Keystone), CAT5e, 8-pos., shielded, socket on socket

RJ45 socket insert - VS-08-BU-RJ45-6/KA/LSA - 1653168



RJ45 socket insert, modular (Keystone), CAT6, 8-pos., shielded, with cable connection (LSA), for litz and solid wires AWG 26 ... 22

RJ45 socket insert - VS-08-BU-RJ45-6-MOD/BU - 1653155



RJ45 socket insert, modular (Keystone), CAT6 (Link test), 8-position, shielded, socket on socket

Panel mounting frames - VS-08-A-RJ45/MOD-1-R-IP67 - 1689844

Accessories

RJ11 socket insert - VS-RJ11-BU-MOD/BU - 1656356



Socket insert RJ11, modular system (Keystone), 6-pos., unshielded

Protective cover

Protective covers - VS-08-SD - 1689200



Protective cover, IP67, tall design

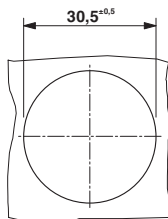
Protective covers - VS-08-SD-F - 1652606

Protective cover, IP67, flat design, to cover the contact insert in the panel mounting frame, color: gray

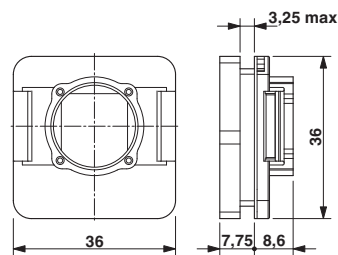


Drawings

Dimensional drawing



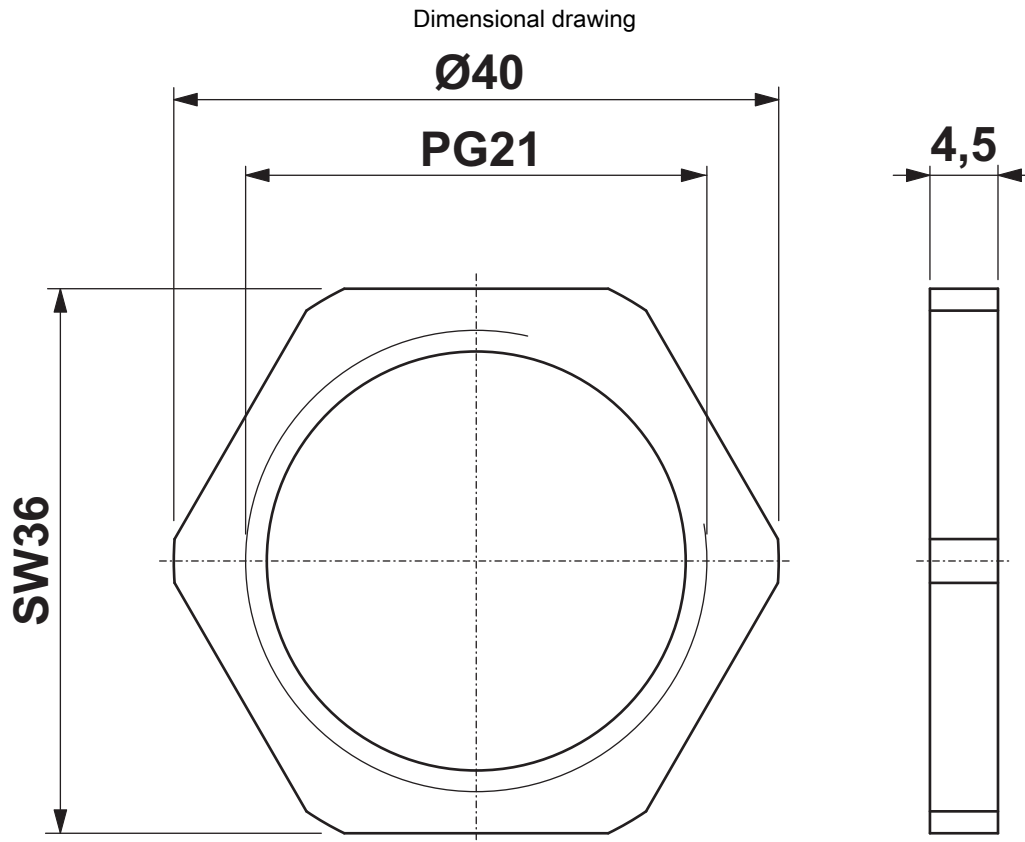
Dimensional drawing



RJ45 panel mounting frame, IP67

Panel cutout

Panel mounting frames - VS-08-A-RJ45/MOD-1-R-IP67 - 1689844



Union nut