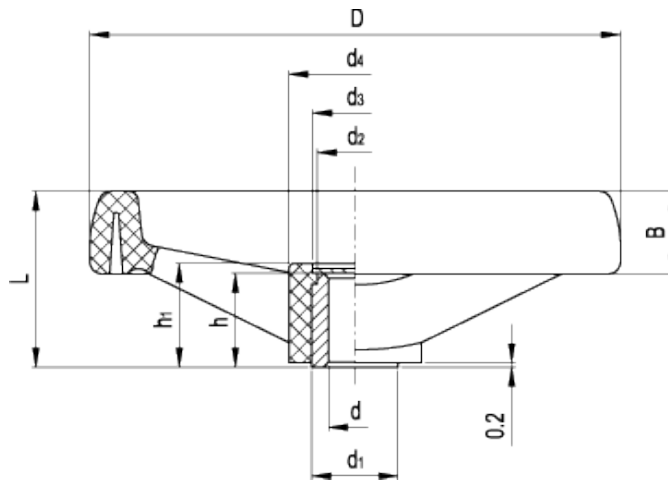


VRTP.

Spoked handwheels



technical informations

Material

High-resilience polypropylene based (PP) technopolymer. Resistant to solvents, oils, greases and other chemical agents.

Colour

Black, matte finish.

Assembly

- Black-oxide steel boss, H7 reamed hole.
 - Execution K: bosses with hole and keyway in compliance with [DIN 6885/1 P9 tolerance](#).
- To order the handwheel with keyway complete code and description with the index -K.

Self-adhesive front plate

Anodised aluminium.

Accessories on request

Axial retaining washer type [GN 184](#).

Ergonomy

The rim with ergonomic profile offers a safe and comfortable grip when turning the handwheel with both hands even when high torque values are applied.

Standard Elements		Main dimensions								Bore		C #	L #	Weight
Code	Description	D	L	B	d ₁	d ₂	d ₃	d ₄	h ₁	d _{H7}	h	[Nm]	[J]	g
78411	VRTP.80 A-8	80	35	18	18	16	17	23	19	8	17	32	5	74
78412	VRTP.80 A-10	80	35	18	18	16	17	23	19	10	17	32	5	70
78510	VRTP.100 A-8	99	37	20	18	16	17	25	19	8	17	54	7	105
78511	VRTP.100 A-10	99	37	20	18	16	17	25	19	10	17	54	7	100
78512	VRTP.100 A-12	99	37	20	18	16	17	25	19	12	17	54	7	95
78610	VRTP.125 A-8	124	44	22	22	20	21	31	25	8	22	94	10	165
78611	VRTP.125 A-12	124	44	22	22	20	21	31	25	12	22	94	10	160
78612	VRTP.125 A-14	124	44	22	22	20	21	31	25	14	22	94	10	155
78710	VRTP.160 A-8	160	51	25	26	24	25	40	29	8	27	185	15	282
78711	VRTP.160 A-14	160	51	25	26	24	25	40	29	14	27	185	15	275
78712	VRTP.160 A-16	160	51	25	26	24	25	40	29	16	27	185	15	263
78810	VRTP.200 A-8	200	61	28	30	28	31	50	36	8	34	300	24	490
78811	VRTP.200 A-16	200	61	28	30	28	31	50	36	16	34	300	24	460
78813	VRTP.200 A-20	200	61	28	30	28	31	50	36	20	34	300	24	430
78911	VRTP.250 A-20	249	70	32	35	33	34	59	40	20	38	420	28	730
78913	VRTP.250 A-24	249	70	32	35	33	34	59	40	24	38	420	28	710
78948	VRTP.300 A-20	298	78	36	40	37	42	66	46	20	43	480	36	940
78951	VRTP.300 A-26	298	78	36	40	37	42	66	46	26	43	480	36	970
79011	VRTP.375 A-26	373	82	38	40	37	42	69	46	26	43	480	40	1185

See Technical Data for maximum applicable torque (C) and impact strength (L).

This product had the following design awards:



ELESA and GANTER models all rights reserved in accordance with the law. Always mention the source when reproducing our drawings.

STANDARD MACHINE ELEMENTS WORLDWIDE